



STYLE

BYB031

**MEASUREMENT CHART
WOVEN T-SHIRTS**

COLLECTION

BYB

SEASON

SS16

SUPPLIER NO.

72503

GENDER

MEN

DATE

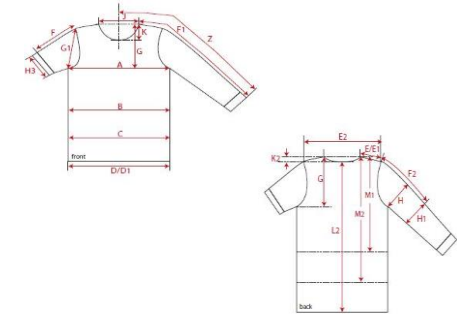
24-09-2015

SIGNATURE

AM

Fertigmaße in cm für Größe
measurements in cm for size

	CODE	TOLERANCE (+/-)	XS	IS	S	IS	M	IS	L	IS	XL	IS	XXL	IS	3XL	IS	4XL	IS	5XL	IS	6XL	IS	
front length from HSP	M	1			74,00		76,00		78,00		80,00		82,00										
1/2 chest width	A	1			52,00		54,50		57,00		60,00		63,00										
shoulder to shoulder	E2	1			43,00		45,50		48,00		51,00		54,00										
sleeve length from shoulder (set in)	F	1			65,00		66,00		67,00		68,00		69,00										



REMARK