

## PR181 'Artisan's Choice' Double Pocket Canvas Apron

### Description

This artisan-inspired apron is designed so it can be worn as a bib or waist style. Rounded edges create soft lines, whilst the eyelets give an 'industrial-chic' feel. Adjust the overall height with a knotted neckband and store your essentials in the double centre pocket. The heavyweight canvas is a durable fabric that looks and feels premium, making this the perfect apron for any venue passionate about their trade.

### Product Features:

- Heavyweight canvas bib apron with rounded edges
- Wear as a full bib or half waist apron
- Cotton-rich with recycled polyester
- Adjustable knotted neckband and matching waist ties (90cm)
- Double centre pocket, each measuring 14.5cm wide by 18cm long
- Length 86cm x Width 72cm.

### Available In:

One Size

### Certifications:

Sedex Member



### Colours:

Black	Black c	0	0	0	100
Dark Grey	425	52	29	30	78
Natural	4755	3	16	20	9
Olive	7763	46	26	84	66

### Fabric:

60% Cotton, 40% Recycled Polyester, 310gsm

### Suggested Decoration:

Screen Print, Transfer Print, Embroidery

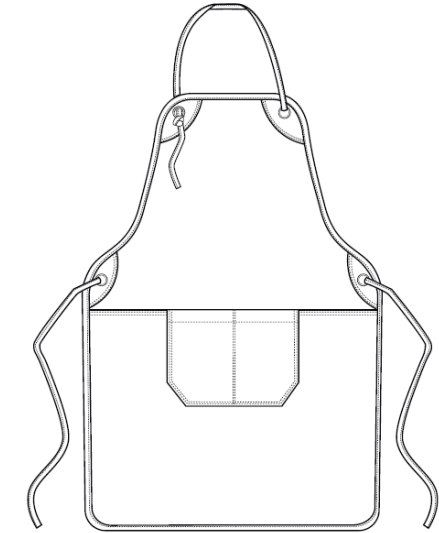
### Country of Origin:

Bangladesh

### Commodity Code:

6211431000

### Features:



### Wash Care:



### Carton Information:

Sizes	Carton	Pack	SKU's	Carton Weight	Carton Dimensions
One size	36	6	4	18kg approx.	60cm x 40cm x 22cm