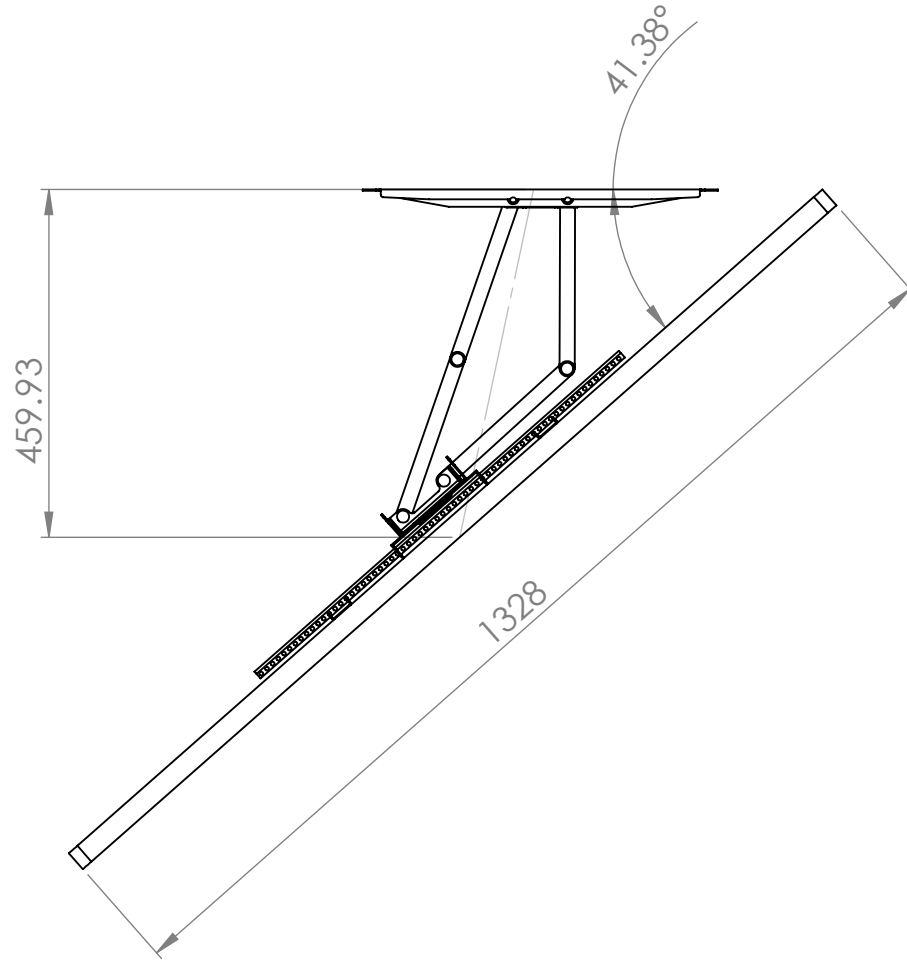


Cantilever Mount Assembly (60") (100% Extension)



All dimensions are in mm.