

500mm

# GARDEN SWEEPER

82754

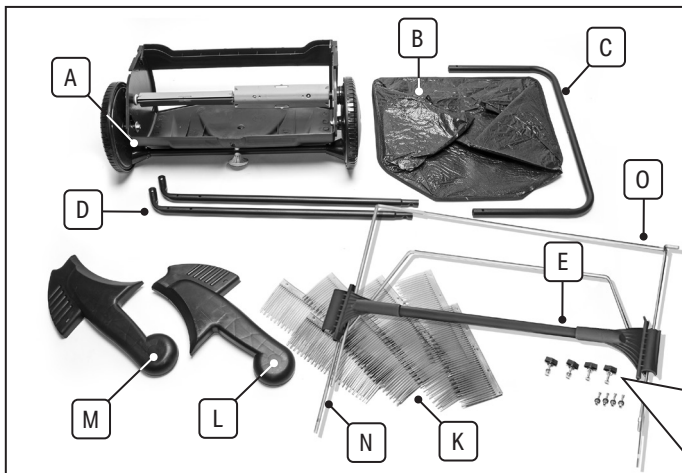
## 1. Health and Safety Information

**Important:** Read all the Health and Safety instructions before attempting to operate or maintain this product and retain for future use. Failure to follow these instructions may result in injury or damage to the user or the product.

- Wear suitable eye protection during use.
- Wear suitable outdoor footwear.
- For outdoors use only.
- Keep away from children.
- Ensure work area is clear of obstructions before use.
- **DO NOT** run with the leaf sweeper during use.
- **ALWAYS** push in a straight line and in a forward direction.

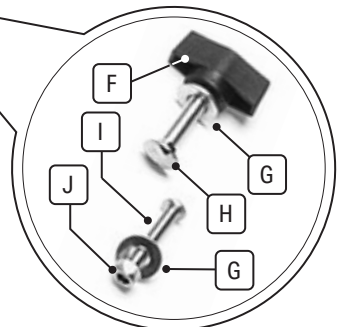
- **DO NOT** use on steep slopes.
- When using on a slope push the leaf sweeper across rather than up and down the slope.
- **DO NOT** use if the product is damaged.
- **DO NOT** attempt to repair the sweeper yourself.
- **DO NOT** use to sweep up liquids.
- Adjust the brush height if the brushes jam frequently or if the performance is reduced.
- Not recommended for use on long grass over approx. 6cm in length.
- After an extended period without use, check all the fixings are secure and check all the moving parts. Lubricate if required.

## 2. What's in the Box?



Part	Description	Qty
H	M6 × 35mm bolt	4
I	M5 × 30mm bolt	4
J	M5 locking nut	4
K	Brushes	8
L	Support leg left	1
M	Support leg right	1
N	Upper frame side rod	1
O	Base frame rod	1

Part	Description	Qty	Part	Description	Qty
A	Sweeper body	1	E	Crossbar	1
B	Leaf collection bag	1	F	Wingnut	4
C	Handlebar	1	G	M6 Washer	8
D	Handle support	2			



### 3. Assembly

#### Tools required (not supplied)

- Crosshead screwdriver
- 8mm spanner

1. Attach the handle supports **D** to the handlebar **C** using two M6 bolt **H**, two M6 washers **G** and two wingnuts **F**.

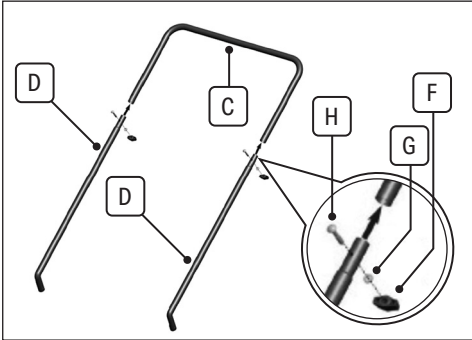


Fig. 1

2. Attach the assembled handle section to the sweeper body **A** using the four M5 bolts **I**. Insert the bolts through the holes at the bottom of the handle from inside of the sweeper body. Secure with four washers **G** and M5 locking nuts **J**.

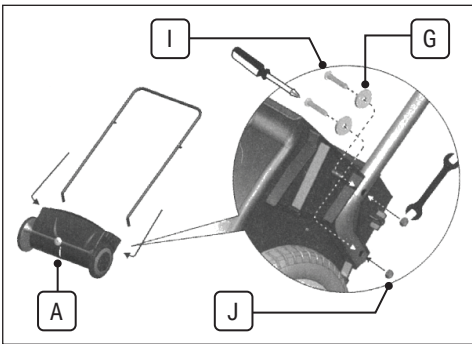


Fig. 2

3. Insert the support legs **L** and **M** into the holes in the sweeper body **A**. Position as shown in Fig.3 – move the lock, press down and fit into the hole. Insert M6 bolt **H** into the hole of the handle and support leg as shown. Screw together tightly using a wingnut **F** and M6 washer **G**.

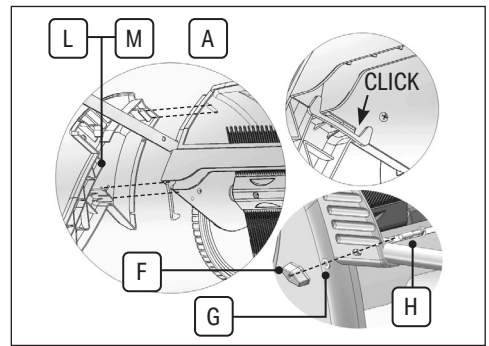


Fig. 3

4. Press the holes and pins at the top of brushes **K** together to form four sets.

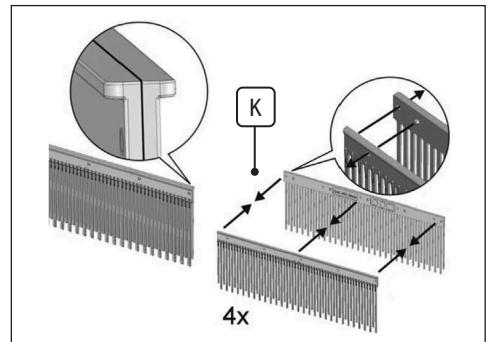


Fig. 4

5. Hold the assembled brush sets together and slide each set into the grooves on the rotor until each set clicks into place.



Fig. 5

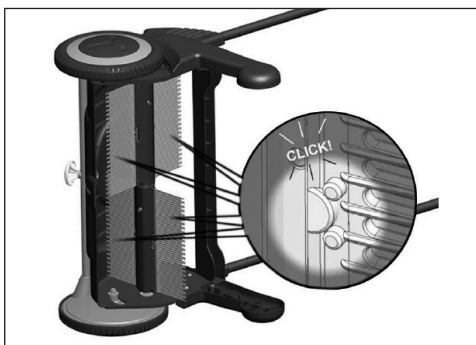


Fig. 6

6. Starting with the **X** end, insert the upper frame rod **N** into the sleeve on the upper edge of the collection bag **B**. Push all the way round. Insert the left side of the base rod **O** through the sleeve and repeat for the right side.
7. Insert the upper **N** and base rods **O** into the grooves on the crossbar **E**. attach by pushing firmly together until the notches on the rod click into position. Push the base rod **O** into the bag bottom sleeve **Y** until it clicks into position.

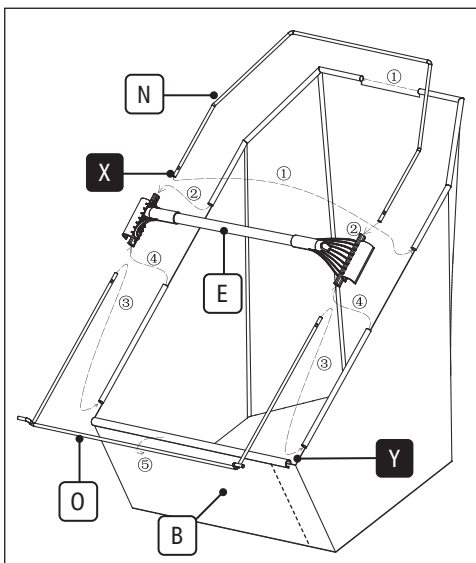


Fig. 7

8. Clip the assembled collection bag into position on the handle. Then slot the connectors into the recesses on the sweeper body **A**.

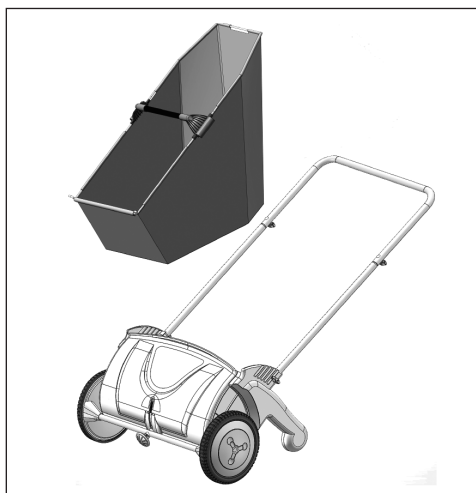


Fig. 8

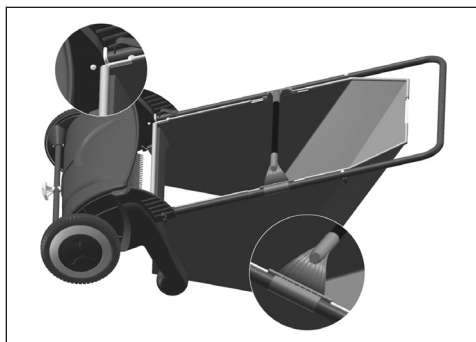


Fig. 9

## 4. Operation

### 4.1 Before Use

- Check that all fixings are secure and tighten if required.
- Ensure the work area is clear of obstructions before use.

### 4.2 Adjusting Brush Height

- Set to the desired height by loosening the knob on the front of the sweeper body. Adjust the height and then retighten the knob.
- Take care to avoid injury to fingers when adjusting the height.
  - **Lower settings** are suitable for all surfaces.
  - **Middle settings** for wet, slippery or rough and loose surfaces.
  - **Higher settings** for maintenance and moving the sweeper.

### 4.3 During Use

- Always keep the sweeper upright. Take extra care when changing direction or working on a slope.
- To avoid damage to the brushes **DO NOT** apply heavy downward force during operation.

## 5. Maintenance, Storage and Disposal

---

- Wipe the collection bag clean with a soft damp cloth.
- Allow the leaf collection bag **[B]** to dry before reattaching.
- Regularly remove any leaf debris or mud from around the wheels to prevent them locking.
- The brushes can be removed for cleaning – refit as shown in Fig 4 and Fig.5.
- After an extended period without use, checking all the fixings are secure and check all moving parts and lubricate if required.
- Store in a cool, dry place.

At the end of its working life, dispose of the product responsibly and in line with local regulations. Recycle where possible.

## 6. Warranty

---

12months from date of purchase - Visit [drapertools.com/warranty](http://drapertools.com/warranty) for full details.

## Contact Details

### Draper Tools

Draper Tools Limited  
Hursley Road  
Chandler's Ford  
Eastleigh  
Hampshire  
SO53 1YF  
UK

**Website:** [drapertools.com](http://drapertools.com)

**Email:** [sales@drapertools.com](mailto:sales@drapertools.com)

**Product Helpline:** +44 (0) 23 8049 4344

**Telephone Sales Desk:** +44 (0) 23 8049 4333

**General Enquiries:** +44 (0) 23 8026 6355

### Delta International

Delta International BV  
Oude Graaf 8  
6002 NL  
Weert  
Netherlands

Please contact the Draper Tools Product Helpline for repair and servicing enquiries.