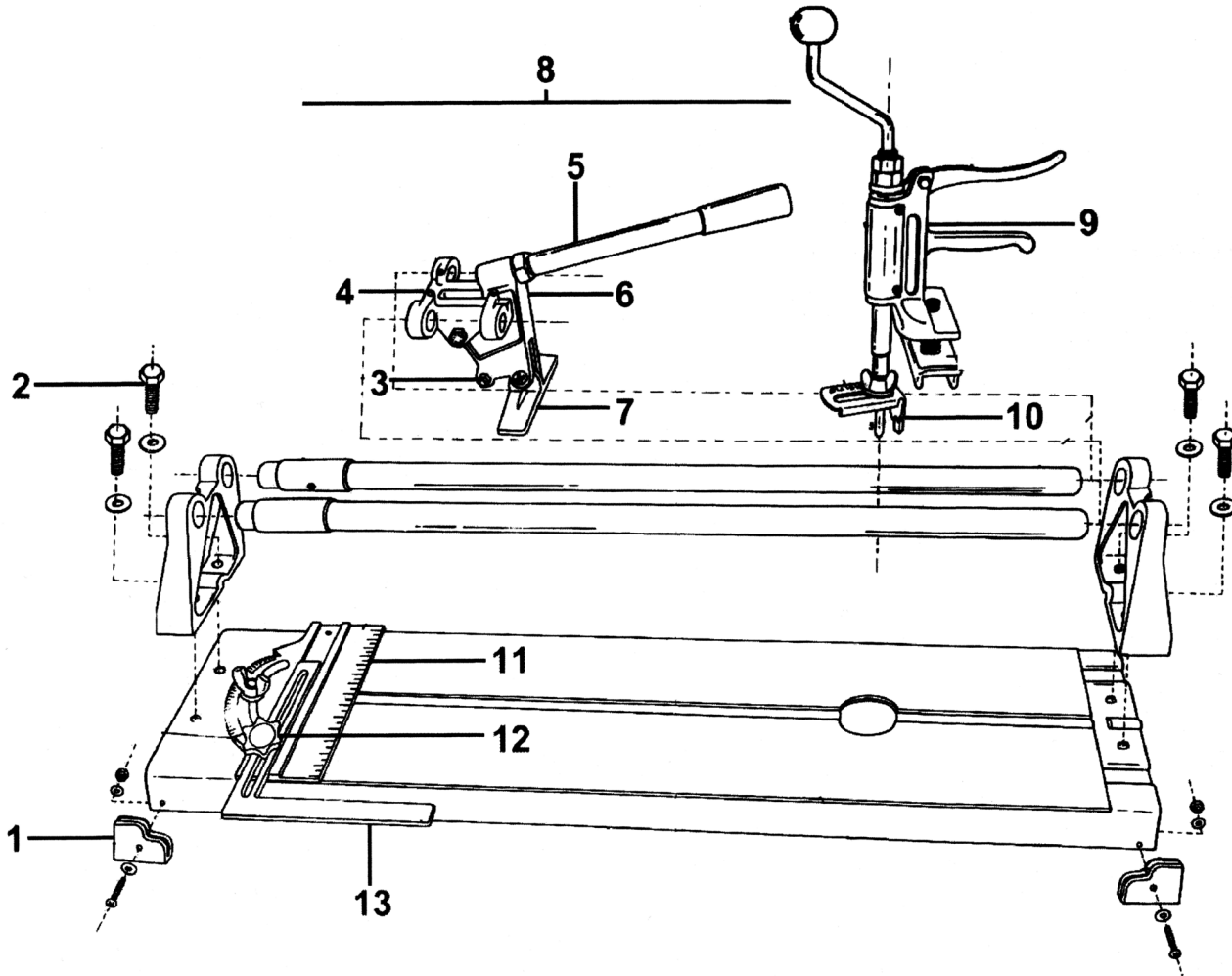




3-IN-1 TILE CUTTING MACHINE

24693 – TCM3 SPARE PARTS DRAWING/LISTING



KEY No.	PART No.	STOCK No.	DESCRIPTION
1	YTCM3-01	35404	Foot kit.
2	YTCM3-02	30019	Fixing kit.
3	YTCM3-03	25540	Cutting wheel.
4	YTCM3-04	33088	Slider bracket.
5	YTCM3-05	33076	Handle.
6	YTCM3-06	33077	Handle bracket.
7	YTCM3-07	30866	"V" foot.

KEY No.	PART No.	STOCK No.	DESCRIPTION
8	YTCM3-08	35400	Cutter assembly (without cutting wheel).
9	YTCM3-09	35406	Drill assembly.
10	YTCM3-10	25539	Hole cutter with pilot drill.
11	YTCM3-11	35403	Scale.
12	YTCM3-12	35408	Locking bolt kit.
13	YTCM3-13	35402	Square.