

**EN**

Original Instructions  
Version 3 – January 2025

**DRAPER**<sup>®</sup>

70L

# DEHUMIDIFIER

12500



UK  
CA CE

# 1. Preface

These are the original product instructions. This document is part of the product; retain it for the life of the product, passing it on to subsequent holders. Read this manual in full before attempting to assemble, operate or maintain this product.

This Draper Tools manual describes the purpose of the product and contains all the necessary information to ensure its correct and safe use. Following all the instructions and guidance in this manual will ensure the safety of both the product and the operator and increase the lifespan of the product.

All photographs and drawings within this manual are supplied by Draper Tools to help illustrate correct operation of the product.

Every effort has been made to ensure the information contained in this manual is accurate. However, Draper Tools reserves the right to amend this document without prior warning. Always use the latest version of the product manual.

## 1.1 Product Reference

**User Manual for:** Industrial Dehumidifier, 70L

**Stock No:** 12500

**Part No:** DH70

## 1.2 Revisions

**Version 1:** May 2023  
First release

**Version 2:** September 2024

**Version 3:** January 2025

As our manuals are continually updated, always ensure that the latest version is used.

Please visit [drapertools.com/manuals](https://www.drapertools.com/manuals) for the latest version of this manual and the associated parts list, if applicable.

## 1.3 Understanding the Safety Content of This Manual



**WARNING!** – Situations or actions that may result in personal injury or death.



**CAUTION!** – Situations or actions that may result in damage to the product or surroundings.

**Important:** – Information or instructions of particular importance.

## 1.4 Copyright © Notice

Copyright © Draper Tools Limited.

Permission is granted to reproduce this manual for personal and educational use **ONLY**. Commercial copying, redistribution, hiring or lending is strictly prohibited.

No part of this manual may be stored in a retrieval system or transmitted in any other form or means without written permission from Draper Tools Limited.

In all cases, this copyright notice must remain intact.

|  |    |                                     |    |
|--|----|-------------------------------------|----|
| 1. Preface   | 2  | 8. Maintenance and Troubleshooting  | 14 |
| 1.1 Product Reference  | 2  | 8.1 General Maintenance and Storage | 14 |
| 1.2 Revisions  | 2  | 8.2 Air Filter Care                 | 14 |
| 1.3 Understanding the Safety Content of This Manual          | 2  | 8.3 Air Inlet Care                  | 14 |
| 1.4 Copyright © Notice                                       | 2  | 8.4 Troubleshooting                 | 15 |
| 2. Contents  | 3  | 9. Spares, Returns and Disposal     | 17 |
| 3. Product Introduction                                      | 4  | 10. Warranty                        | 18 |
| 3.1 Intended Use   | 4  | 11. Explanation of Symbols          | 19 |
| 3.2 Specification  | 4  |                                     |    |
| 4. Health and Safety Information                             | 5  |                                     |    |
| 4.1 Health and Safety Information for this Dehumidifier      | 5  |                                     |    |
| 4.2 Additional Safety Information for Flammable Refrigerants | 6  |                                     |    |
| 4.3 Connection to the Power Supply                           | 7  |                                     |    |
| 4.4 Residual Risk  | 7  |                                     |    |
| 5. Identification and Unpacking                              | 8  |                                     |    |
| 5.1 Product Overview   | 8  |                                     |    |
| 5.2 What's in the Box?                                       | 9  |                                     |    |
| 5.3 Packaging  | 9  |                                     |    |
| 6. Preparation Instructions                                  | 10 |                                     |    |
| 6.1 Assembling the Dehumidifier                              | 10 |                                     |    |
| 6.2 Positioning the Dehumidifier                             | 11 |                                     |    |
| 7. Operating Instructions                                    | 12 |                                     |    |
| 7.1 The Control Panel  | 12 |                                     |    |
| 7.2 Switching the Dehumidifier On and Off                    | 12 |                                     |    |
| 7.3 Continuous Drainage                                      | 12 |                                     |    |
| 7.4 Setting the Target Humidity                              | 13 |                                     |    |
| 7.5 Using the Timer  | 13 |                                     |    |
| 7.6 Auto-Defrost Functionality                               | 13 |                                     |    |
| 7.7 Overheating Protection                                   | 13 |                                     |    |

## 3. Product Introduction

---

### 3.1 Intended Use

This product is designed to extract moisture from damp or humid industrial environments to prevent the build-up of mould and other hazards. Any other application beyond the conditions established for use will be considered misuse. Draper Tools accepts no responsibility for improper use of this product.

Part of our ore range, this product is suitable for regular use by enthusiasts and tradespersons alike.

**Important:** This product is not a water pump and is not designed to transfer water from one location to another.

Read this manual in full before attempting to assemble, operate or maintain the product, and retain it for later use.

### 3.2 Specification

|                               |  |
|-------------------------------|--|
| Stock No.                     | 12500  |
| Part No.                      | DH70   |
| Rated voltage                 | 230V   |
| Rated frequency               | 50Hz   |
| Rated power/current           | (30°C 80% relative humidity) 1300W/5.7A<br>(27°C 60% relative humidity) 950W/4.7A            |
| Extraction rate               | 70L per day (at 30°C, 80% relative humidity)<br>40L per day (at 27°C, 60% relative humidity) |
| Target humidity range         | 10–95%   |
| Discharge hose length         | 100cm  |
| Discharge hose outlet         | Ø16mm  |
| Refrigerant                   | R290 (propane), 280g   |
| Max. suction pressure         | 1.0Mpa   |
| Max. discharge pressure       | 2.5Mpa   |
| Minimum room size             | 14m <sup>2</sup>   |
| Ambient operation environment | 5–35°C   |
| Global warming potential      | 3  |
| Ingress protection            | IP22   |
| Dimensions (LxWxH)            | 545 × 460 × 870mm  |
| Net weight                    | 40kg   |

**Important:** Read all the Health and Safety instructions before attempting to assemble, adjust, operate or maintain this product. Failure to follow these instructions may result in injury or damage to the user or the product.

### 4.1 Health and Safety Information for this Dehumidifier

#### General Safety Instructions

- Only authorised personnel that have been trained in the use of this product and are familiar with the instructions in this manual may operate this machine.

**Important:** This product is not suitable for use by children.

- Inspect the product before every use for cracked, corroded or broken parts and leakages.



**WARNING! DO NOT use this product if it is damaged or leaking in any way. Contact Draper Tools for repair and replacement options.**

- Use this product only for its intended purpose and do not modify it in any way.
- **DO NOT** operate this product while tired or under the influence of alcohol, drugs or other medication.
- Keep your hands and other body parts away from moving parts at all times and keep loose hair, clothing and jewellery tied back.
- **ONLY** use spare parts supplied by Draper Tools.

#### Installation

- **DO NOT** use or store this product in unventilated areas that are smaller than the minimum required space for this product.
- **DO NOT** use this product in environments containing high concentrations of dust; flammable, volatile, toxic or otherwise dangerous gases, vapours and liquids; or where the air composition is flammable.
- **DO NOT** use this product in locations in which flames or sources of ignition are present.
- This product is suitable for indoor use **ONLY**; **DO NOT** immerse it in water or expose it to wet conditions.
- **DO NOT** use this product in the vicinity of water tanks.
- Keep all air vents and grilles free from obstructions.
- Use this product **ONLY** on sturdy, flat and level surfaces capable of bearing the weight of the product.  
**Important:** **DO NOT** use this product on tilted surfaces as it may cause damage to the internal components or cause the unit to tip over.

- Ensure that the product is positioned with no less than the minimum clearance required around all sides of the unit during use.
- **DO NOT** place the product directly beneath wet materials; allow at least one metre between the unit and the items to be dried.
- Ensure that the discharge hose is placed tidily and does not create a trip hazard.
- **DO NOT** submerge the end of the discharge pipe as this may cause moisture to be drawn back into the dehumidifier.

#### Correct Use and Operational Safety

- **NEVER** connect this product to a power supply if the air filter is not installed.
- **NEVER** cover the air vents and grilles or place any object on the product during use.
- **DO NOT** insert foreign objects through the air vents or grilles.
- **NEVER** open or place your hands inside the product during use.
- **ALWAYS** switch off the product using the power button before disconnecting the power supply.

#### Electrical Safety

- Keep the power cord away from sources of heat, liquids, oil and hot or sharp surfaces.
- **NEVER** handle the plug or operate the product with wet hands.
- **NEVER** pull the product along using the power cord or plug and **DO NOT** pull on the cord to disconnect the plug from a power supply.
- Position the power cord tidily and safely so that it does not create a trip hazard.

## 4. Health and Safety Information

---

### Handling and Storage



**WARNING! This product is heavy and requires two people to lift and transport it. Use appropriate equipment where necessary. Failure to transport the product safely may result in serious injury.**

- Switch off the product, disconnect it from the power supply and wait for all moving parts to stop before attempting to maintain or move the unit.
- Store and transport the product in an upright position.
- **DO NOT** use or store this product in the presence of flammable liquids or vapours.
- Discard any liquid extracted by the product; **DO NOT** use it for any other purpose.

### Servicing

- Any maintenance beyond the procedures detailed in this manual **MUST** be performed by an authorised and suitably qualified technician.

### 4.2 Additional Safety Information for Flammable Refrigerants



**WARNING! This product contains approximately 200g of pressurised R290 (propane) refrigerant. This substance is highly flammable and must NOT be exposed to sources of ignition.**

- **DO NOT** use this product in spaces that are smaller than the minimum room size rated for the unit.
- By means of ventilation or construction, the space in which the unit is installed must **NOT** cause or allow the refrigerant to stagnate and create a fire or explosion hazard in the event of a leak.
- The unit **MUST** be stored in a well-ventilated room no smaller than the minimum room size required for operation in which no continuously operating open flames (e.g. an operating gas appliance) and no sources of ignition (e.g. an operating electric heater) are present.
- Keep all air vents and grilles in the location and on the product free from obstructions.
- **DO NOT** attempt to undertake any maintenance procedures not covered in this manual; additional servicing and handling of the refrigerant **MUST** be conducted by an authorised and suitably qualified service agent who is competent in the use and handling of flammable refrigerants.

- **DO NOT** puncture, burn or attempt to modify the refrigerant system or its components in any way.
- **DO NOT** use any means to accelerate the defrosting process or to clean other than those identified in this manual.



**WARNING! Refrigerant gases may be odourless and can explode in the presence of sources of heat and ignition.**

### 4.3 Connection to the Power Supply

 **WARNING! Risk of electric shock. DO NOT open this product.**

This appliance is supplied with an approved plug and cord for your safety. The product must be installed according to national wiring regulations.

If the power supply cord is damaged, it must be replaced by Draper Tools, an authorised service agent or similarly qualified personnel in order to avoid a hazard.

The damaged or incomplete plug, when cut from the cord, must be disabled to prevent connection to a live electrical outlet.

This product is Class I\* and is designed for connection **ONLY** to a power supply matching that detailed on the rating label and compatible with the plug fitted.

The value of the fuse fitted is marked on the pin face of the plug. Should the fuse need replacing, ensure the substitute is of the correct rating, approved to BS 1363/A and ASTA or BS Kite marked. This should only be performed by suitably qualified personnel.

ASTA 

BSI 

The fuse can be replaced by removing the cover using a small plain slot screwdriver and removing the broken fuse from its holder. This should only be performed by suitably qualified personnel.

If an extension lead is required, use an approved and compatible lead rated for this appliance. Where use of an extension lead is unavoidable, Draper Tools recommends using a 2.5mm cable. Follow all the instructions supplied with the extension lead.

**Important:** Always follow the extension lead instructions regarding maximum load while the cable is wound. If in doubt, unwind the entire cable. A coiled extension lead generates heat which could melt the lead and cause a fire.

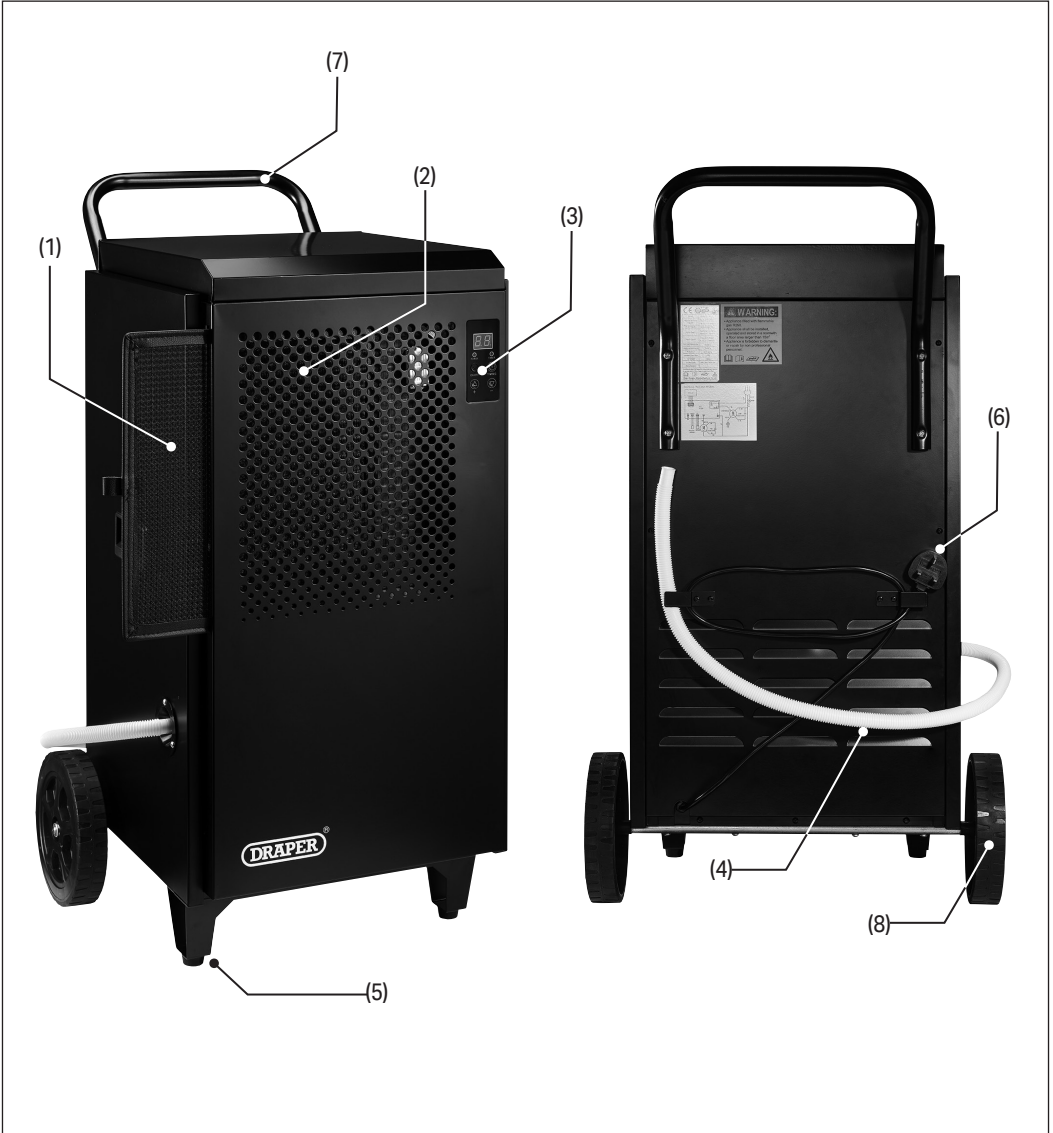
**\*Earthed:** This product requires an earth connection to protect against electric shock from accessible conductive parts in the event of a failure of the basic insulation.

### 4.4 Residual Risk

The safety instructions in this manual cannot account for all possible conditions and situations that may occur. Exercise common sense and caution when using this product and protect against any additional conceivable risks.

# 5. Identification and Unpacking

## 5.1 Product Overview



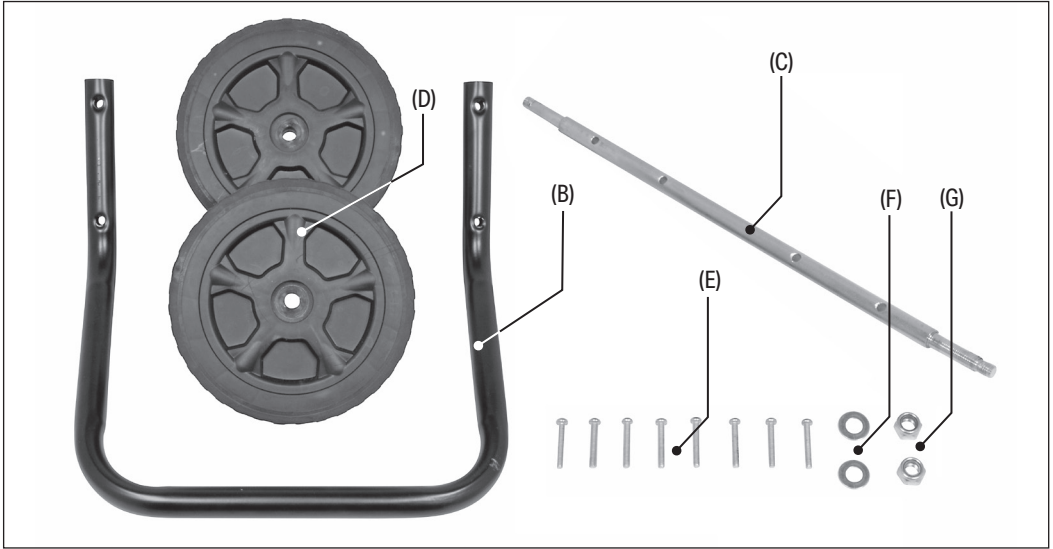
- (1) Air filter
- (2) Air inlet
- (3) Control panel
- (4) Discharge hose
- (5) Front feet
- (6) Power cord and plug
- (7) Transport handle
- (8) Wheels

# 5. Identification and Unpacking

## 5.2 What's in the Box?

Carefully remove the product from the packaging and examine it for any signs of damage that may have occurred during shipment.

Before assembling the product, lay the contents out and check them against the parts shown below. If any part is damaged or missing, do not attempt to use the product. Please contact the Draper Helpline; contact details can be found at the back of this manual.



- (A) 1 × Dehumidifier unit (*not shown*)
- (B) 1 × Transport handle
- (C) 1 × Axle
- (D) 2 × Wheels

- (E) 8 × M6 × 35mm bolts
- (F) 2 × M12 washers
- (G) 2 × M12 nuts

## 5.3 Packaging

Keep the product packaging for the duration of the warranty period for reference should the product need to be returned for repair.



**WARNING! Keep packaging materials out of reach of children. Dispose of packaging correctly and responsibly and in accordance with local regulations.**

Please visit [drapertools.com](http://drapertools.com) for our full range of accessories and consumables.

## 6. Preparation Instructions

**Important:** Before assembling and installing this product, read and understand all the safety instructions listed in this manual.

### 6.1 Assembling the Dehumidifier

**WARNING!** This product is heavy. For your safety, Draper Tools recommends that this product is assembled by two people.

1. Align the transport handle (B) with the back of the unit and secure it in place using four M6 × 35mm bolts (E).

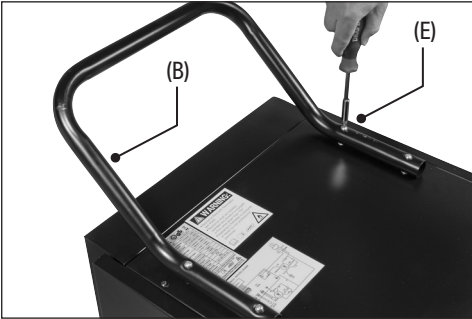


Fig. 1

2. Carefully tip the dehumidifier unit onto its front face.
3. Align the axle (C) with the base of the unit and secure it in place using four M6 × 35mm bolts (E).

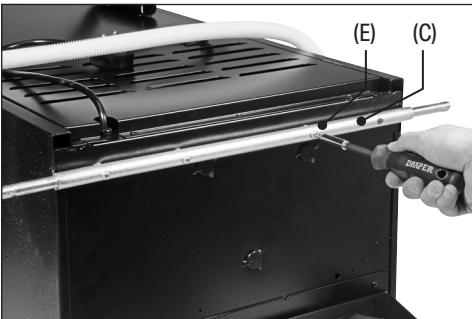


Fig. 2

4. Place a wheel (D) onto each end of the axle and secure them in place using the M12 washers (F) and M12 nuts (G).

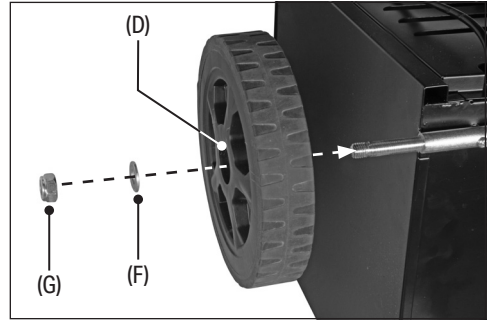


Fig. 3

**Important:** DO NOT overtighten the wheel nuts.




5. Carefully tip the unit into its upright position.

**CAUTION!** After assembly or tipping the dehumidifier for any reason, allow it to rest in an upright position for at least 2 HOURS before connecting it to mains power.

## 6.2 Positioning the Dehumidifier

Failure to position the dehumidifier correctly will adversely impact on its performance.

- Allow at least 50cm of clear space around the sides and rear of the unit.
- Allow at least 1m of clear space at the front of the unit.
- Position the unit in a clear and central location.
- For maximum efficiency, create an enclosed environment by closing all doors and windows.  
**Important:** The enclosed area **MUST** be larger than the minimum room size rated for the unit.
- When used in a home, ensure that all external openings are closed and open all appropriate interior doors, with the unit located in a central location.
- If moisture or dampness is particularly prolific in one specific area, position the unit closer to that location before moving to a more central spot.

-  **WARNING!** Position the unit on sturdy flat and level surfaces **ONLY**. **NEVER** position the unit on sloped surfaces as it may tip over and cause injury or damage.
-  **CAUTION!** **DO NOT** position the unit in close proximity to radiators or other heat sources.
-  **CAUTION!** When using the dehumidifier to dry wet materials, position the unit at least one metre from the items to be dried. This prevents water from falling onto the unit and damaging internal components.

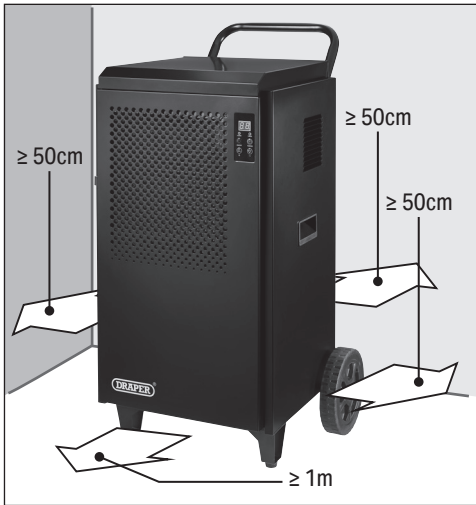


Fig. 4

# 7. Operating Instructions

**Important:** Ensure that the product is correctly prepared and positioned before operation.

**CAUTION!** After assembly or tipping the dehumidifier for any reason, allow it to rest in an upright position for at least 2 HOURS before connecting it to mains power and switching it on.

## 7.1 The Control Panel

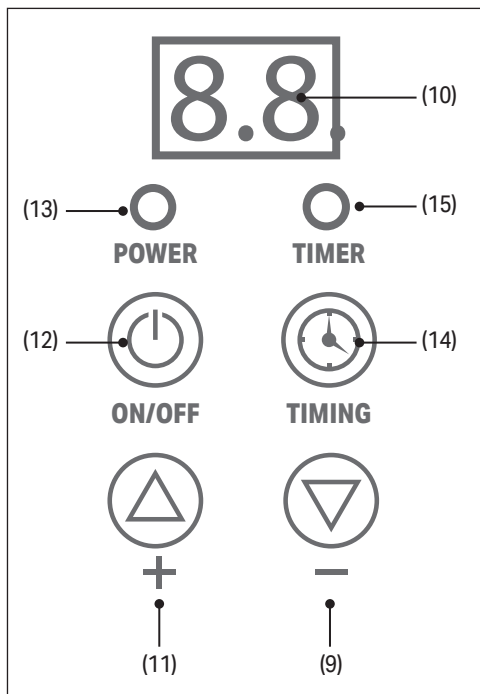


Fig. 5

- (9) Decrease value button
- (10) Display screen
- (11) Increase value button
- (12) Power button
- (13) Power indicator
- (14) Timer button
- (15) Timer indicator

## 7.2 Switching the Dehumidifier On and Off

**Important:** ALWAYS ensure that the air filter (1) is installed and that the discharge hose (4) is positioned correctly before switching on the product.

To switch the dehumidifier on, ensure that it is positioned correctly with suitable clear space around each side of the unit, then connect the plug (6) to a power supply.

While the dehumidifier is connected to mains power but not switched on, it remains in standby mode. To switch on the unit, press the power button (12) once. Press the power button again to return the unit to standby mode. To completely shut down the unit, disconnect the plug from mains power.

**Important:** The fan continues to operate for a few seconds after the unit is switched off.

**Important:** ALWAYS switch off the unit using the power button BEFORE disconnecting the plug from the power supply.

## 7.3 Continuous Drainage

This product is not fitted with an internal water tank and does not store moisture extracted from the space. Instead, a  $\varnothing 16 \times 90$ mm discharge hose is fitted directly to the unit to allow for continuous drainage.

Draper Tools recommends locating the discharge point in a permanent drain or closed-top container to prevent the moisture from being recycled through the dehumidifier once it has been discharged.

**Important:** The discharge point of the hose **MUST** be lower than the water tank outlet in order for water to be continually discharged from the unit. Ensure that the hose is not bent or kinked and does not contain any upward stretches.

**Important:** Ensure that the receptacle is large enough to accommodate the amount of moisture that will be extracted during the operating time. The product will **NOT** stop operating if the receptacle is filled.

This product may be used with an external uplift pump (not supplied) for low-level applications.

**Important:** Ensure that the water discharged from the hose does not create a slipping hazard.

## 7.4 Setting the Target Humidity

The target humidity of the room to be treated can be set from 10–95%. To set the target humidity level, press the increase (11) and decrease (9) value buttons as appropriate while the device is switched on. The display screen (10) displays the chosen percentage. When the desired level is reached, allow the display to stop flashing to save the target value.

Once a target humidity value has been set, the dehumidifier will run until that level has been reached. If the humidity level rises by 3% above the set level, the unit will automatically resume operation until the configured level is reached again.

The recommended target humidity for a typical room is 50–70%.

**Important:** If the target humidity level is set at a value lower than is achievable in the climate in which it is used, the dehumidifier will operate continuously.

## 7.5 Using the Timer

The dehumidifier can be programmed to switch either on or off after a defined number of hours. If a value is set for both on and off timers, the unit will cycle between on and off according to the configured intervals.

To enable the timer, press the timer button (14) and use the increase (11) and decrease (9) value buttons to set the number of hours until the unit switches on or off. The chosen value is shown on the display screen (10). When the desired number of hours is reached, allow the display to stop flashing to save the target value.

If the timer is set while the unit is in standby mode, the timer will determine the number of hours until the dehumidifier automatically switches on.

If the timer is set while the unit is switched on, the timer will determine the number of hours until the dehumidifier automatically switches off (unless the water tank is filled before this period expires).

## 7.6 Auto-Defrost Functionality

When used for extended periods or in lower ambient temperatures, frost may accumulate on the evaporator coils, reducing the airflow within the unit. When this occurs, the dehumidifier will automatically enter Defrost mode.

When Defrost mode is enabled, the compressor switches off but the fan continues to run.

When the dehumidifier has completed the defrosting process, it will automatically resume operation with the previously configured settings.

**Important: DO NOT** switch off the machine or disconnect it from mains power during defrosting.

## 7.7 Overheating Protection

The dehumidifier is fitted with overload and overheating protection functions

If sudden power loss to the unit occurs during operation, the unit will shut down for three minutes to protect the compressor and will not run during this period. If power is reconnected, the dehumidifier will resume operation once this time has elapsed.

If the temperature of the coolant circuit coil rises abnormally and does not drop within 10 minutes, the unit will enter standby mode. The dehumidifier will not operate until the circuit has cooled.

## 8. Maintenance and Troubleshooting

**Important:** ALWAYS switch off and disconnect the dehumidifier from the power supply, allow moving parts to stop and empty the water tank before performing any product care or maintenance.

### 8.1 General Maintenance and Storage

- Clean the outer surface of the unit with a soft, damp cloth and mild detergent.
  - **DO NOT** spray the device with liquid or submerge it in water.
  - Once clean, wipe the unit dry to prevent corrosion.



**CAUTION! DO NOT use solvents or aggressive chemicals to clean the unit as they may cause corrosion or damage insulated parts.**

- Clean other parts of the unit in accordance with their dedicated instructions.
- Inspection and replenishment of the coolant **MUST** be performed by an authorised and qualified service agent.
- Disconnect the plug from the power supply when the unit is not used for extended periods.
- Store the product upright in a cool, clean and dry environment, out of direct sunlight and out of reach of children.
- Store the unit in a well-ventilated room no smaller than the minimum room size required for operation in which no continuously operating open flames (e.g. an operating gas appliance) and no sources of ignition (e.g. an operating electric heater) are present.
- Observe any additional storage safety instructions relating to R290 refrigerant; see **4.2 Additional Safety Information for Flammable Refrigerants**.

### 8.2 Air Filter Care

Over time, the air filter (1) will gather dust and debris from the air drawn into the dehumidifier. Clean the filter regularly to ensure a consistent flow of air into the unit.

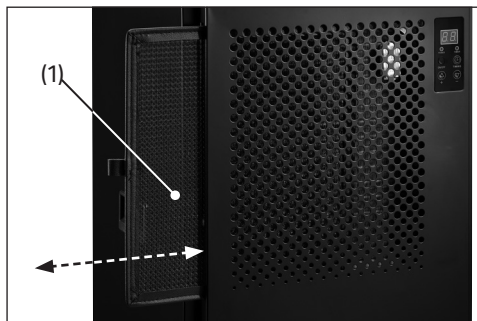


Fig. 6

1. Pull the air filter out of the front of the unit and tap away any excess dust.
2. Remove light dust using a vacuum cleaner and a soft brush.
3. For tough dust or clogged filters, wash the filter element in hot, soapy water and allow it to dry naturally and thoroughly.
4. Insert the filter back into the unit.



**CAUTION! NEVER connect the dehumidifier to a power supply or switch it on without the air filter installed.**

### 8.3 Air Inlet Care

The air inlet (2) grille may accumulate dust and other debris during operation. Clean the inlet grille regularly to ensure a consistent flow of air into the unit.

To clean the inlet grille, remove the air filter (1) from the unit and use a vacuum cleaner or compressed air at low pressure and a soft brush.

## 8.4 Troubleshooting

| Problem                                  | Possible cause  | Remedy   |
|--|---|--|
| The unit expels hot or cold air.         | Normal operation.   | During normal operation, cold air is expelled from the machine. Hot air is produced during the defrost cycle.                    |
| The unit does not switch on.             | The product is not connected to an active power supply.                                 | Check that the plug is securely connected and that the power supply is active.   |
|  | The ambient temperature is beyond the working range of the unit.                        | Take steps to bring the ambient temperature within 5–35°C.   |
|  | The unit is defrosting.   | Wait for defrosting to complete before resuming. Increasing the ambient temperature may help to speed up the defrosting process. |
|  | The power supply was interrupted.   | Wait for three minutes for the overload protection to deactivate.  |
| The unit does not extract much moisture. | The air filter or air inlet is clogged.   | Clean the inlet grille and filter element as appropriate.  |
|  | The ambient temperature and/or humidity are already low.                                | The unit is operating normally.  |
|  | The target humidity level is greater than the current ambient humidity level.           | Reduce the target humidity level until it is lower than the current level.   |
| Water is leaking from the unit.          | The discharge hose is damaged, obstructed or poorly connected to the water tank outlet. | Check the hose connection and inspect it for any damage, cracks, kinks or blockages.   |
| The device is excessively noisy.         | The device is not stable or the surface is not level.                                   | Move the unit to a more appropriate location. Empty the water tank and switch off the unit before moving it.                     |
|  | An internal component has become loose.   | Have the unit inspected and repaired by an authorised service agent.   |
|  | The noise sounds like water flowing.  | This is normal and is caused by the coolant circulating.   |

## 8. Maintenance and Troubleshooting

---

### 8.4 Troubleshooting *(continued)*

| <b>Problem</b>                            | <b>Possible cause</b>           | <b>Remedy</b>   |
|---|---------------------------------|---|
| The control panel displays an error code. | E1 – Coolant coil sensor fault. | Ensure that the environment meets the requirements for this unit. Unplug the unit and allow it to rest for several minutes before retrying. If the error persists, contact Draper Tools for support.  |
|   | E2 – Moisture sensor error.     |   |
|   | E3 – Temperature sensor error.  |   |
|   | EE – Coolant leak.              | Switch off and unplug the unit and ensure that the room is well-ventilated. Allow the unit to rest for at least three hours before retrying. If the error persists, contact Draper Tools for support. |

---

## 9. Spares, Returns and Disposal

For spare parts, servicing, and repair and replacement options, please contact the Draper Tools Product Helpline for details of your nearest authorised agent.

Draper Tools will endeavour to hold any spare parts, if applicable, for seven years from the date that it sells the final matching stock item.

Any servicing or repairs carried out by unauthorised personnel or installation of spare parts not supplied by Draper Tools will invalidate your warranty.

**Important:** For safety, **ALWAYS** drain and clean the product of any oil, fuel, chemicals or other substances before returning it to Draper Tools or its authorised agent. Store these materials in suitable containers and dispose of them in accordance with local regulations. Draper Tools and its agents cannot be responsible for the disposal of these substances.

At the end of its working life, dispose of the product responsibly and in line with local regulations. Recycle where possible.

- **DO NOT** dispose of this product with domestic waste; most local authorities provide appropriate recycling facilities.
- **DO NOT** burn or incinerate this product.
- **DO NOT** abandon this product in the environment.



# 10. Warranty

---

Draper Tools products are carefully tested and inspected before shipment and are guaranteed to be free from defective materials and workmanship.

Should the tool develop a fault, return the complete tool to your nearest distributor or contact Draper Tools directly. Contact information can be found at the back of this manual.

Proof of purchase must be provided.

If, upon inspection, it is found that the fault occurring is due to defective materials or workmanship, repairs will be carried out free of charge. This warranty period covers parts and labour for 12 months from the date of purchase. Where tools have been hired out, the warranty period covers 90 days from the date of purchase.

This warranty does not apply to any consumable parts, batteries or normal wear and tear, nor does it cover any damage caused by misuse, careless or unsafe handling, alterations, accidents, or repairs attempted or made by any personnel other than the authorised Draper Tools repair agent.

In all cases, to make a claim for faulty workmanship or materials within the standard warranty period, please contact or return the product to the place of purchase. Proof of purchase may be required.

If the place of purchase is no longer trading or if you experience any difficulties with your warranty, please contact Customer Services with the product details and your proof of purchase. Contact details can be found at the back of this manual.

If the tool is not covered by the terms of this warranty, repairs and carriage charges will be quoted and charged accordingly.

This warranty supersedes any other guarantees expressed or implied and variations of its terms are not authorised.

Your Draper Tools guarantee is not effective until you can produce, upon request, a dated receipt or invoice to verify your purchase within the guarantee period.

Please note that this warranty is an additional benefit and does not affect your statutory rights.

## **Draper Tools Limited**

# 11. Explanation of Symbols



Read the instruction manual



**Warning!**



Do not abandon in the environment



Do not incinerate or throw onto fire



**Warning!**  
Highly flammable refrigerant



Rated input



Rated voltage



Maximum discharge pressure



Maximum suction pressure



Extraction rate per day (at 30°C, 80% relative humidity)



Extraction rate per day (at 27°C, 80% relative humidity)



Refrigerant – R290 (Propane)



Ingress protection rating



Product dimensions



Product weight



European conformity



UK Conformity Assessed

## Contact Details

### **Draper Tools**

Draper Tools Limited  
Hursley Road  
Chandler's Ford  
Eastleigh  
Hampshire  
SO53 1YF  
UK

**Website:** [drapertools.com](http://drapertools.com)

**Email:** [sales@drapertools.com](mailto:sales@drapertools.com)

**Product Helpline:** +44 (0) 23 8049 4344

**Telephone Sales Desk:** +44 (0) 23 8049 4333

**General Enquiries:** +44 (0) 23 8026 6355

### **Delta International**

Delta International BV  
Oude Graaf 8  
6002 NL  
Weert  
Netherlands

Please contact the Draper Tools Product Helpline for repair and servicing enquiries.