

DRAPER[®]

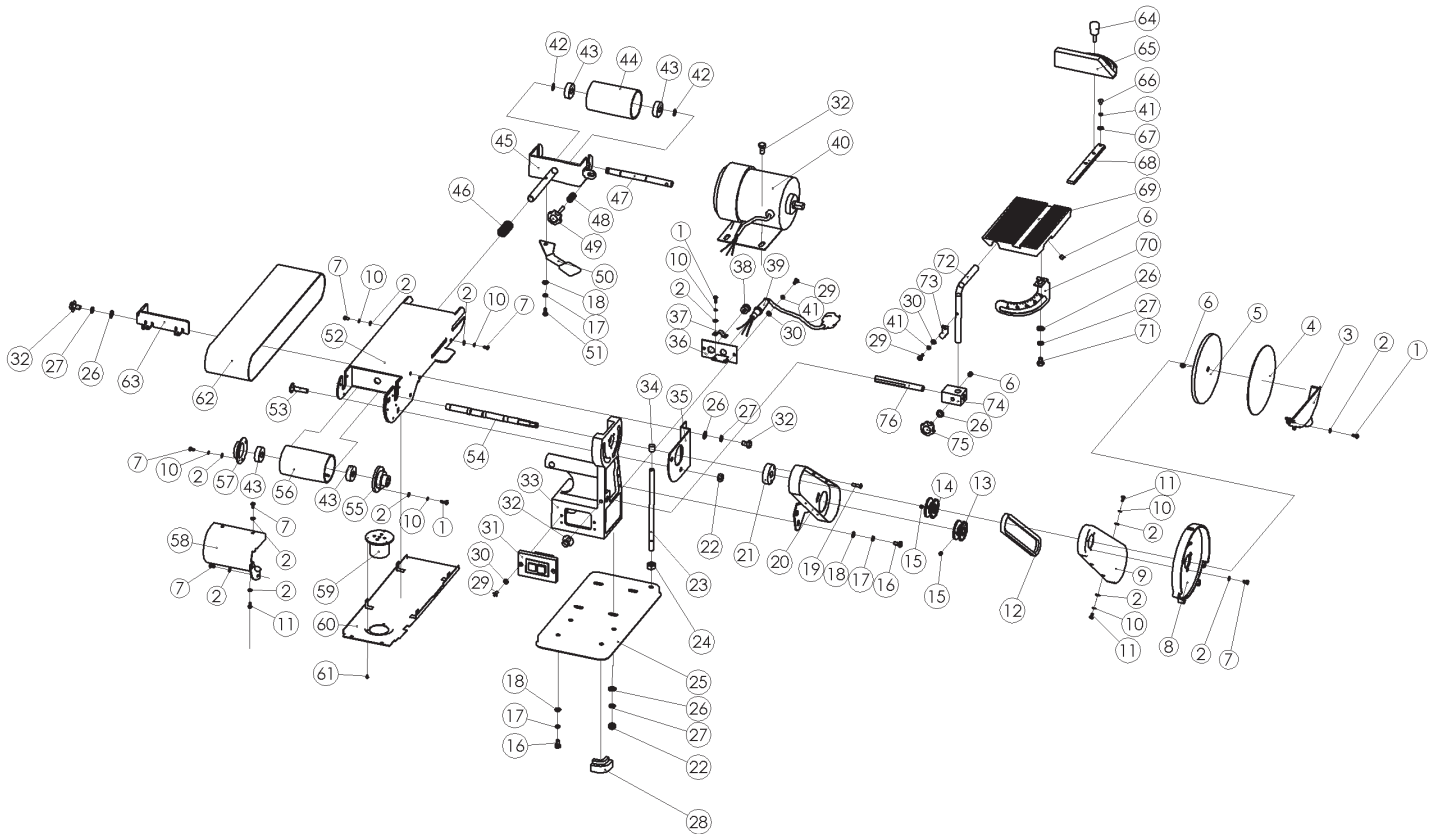
230V

BELT & DISC SANDER

GB

53005 – BDS150 SPARE PARTS DRAWING

**STORM
FORCE**





230V

**BELT & DISC
SANDER**

53005 – BDS150 SPARE PARTS LISTING

**STORM
FORCE**

KEY No.	PART No.	STOCK No.	DESCRIPTION
1	YBDS150-1	55072	Cross screw
2	YBDS150-2	55077	Flat washer
3	YBDS150-3	55079	Disc guard
4			Sanding disc
5	YBDS150-5	55080	Disc
6	YBDS150-6	55087	Screw
7	YBDS150-7	55088	Cross screw
8	YBDS150-8	55089	Guard ring
9	YBDS150-9	55090	Pulley cover
10	YBDS150-10	55095	Elastic washer
11	YBDS150-11	55106	Cross screw
12	YBDS150-12	55117	Belt
13	YBDS150-13	55119	Motor pulley
14	YBDS150-14	55142	Drive pulley
15	YBDS150-15	55153	Locking screw
16	YBDS150-16	55203	Hex bolt
17	YBDS150-17	55241	Elastic washer
18	YBDS150-18	55270	Flat washer
19	YBDS150-19	55272	Screw
20	YBDS150-20	55273	Inner pulley cover
21	YBDS150-21	55276	Washer
22	YBDS150-22	55278	Nut
23	YBDS150-23	55280	Bar
24	YBDS150-24	55281	Nut
25	YBDS150-25	55282	Base
26	YBDS150-26	55285	Flat washer
27	YBDS150-27	55290	Rubber washer
28	YBDS150-28	55324	Rubber pad
29	YBDS150-29	55333	Cross Screw
30	YBDS150-30	55358	Flat washer
31	YBDS150-31	55367	Switch
32	YBDS150-32	55368	Bolt
33	YBDS150-33	55370	Bracket
34	YBDS150-34	55371	Rubber pad
35	YBDS150-35	55374	Plate
36	YBDS150-36	55377	Plate
37	YBDS150-37	55398	Clamping clip
38	YBDS150-38	55399	Bush
39	YBDS150-39	55400	Rubber tube
40	YBDS150-40	55401	Motor

KEY No.	PART No.	STOCK No.	DESCRIPTION
41	YBDS150-41	55402	Rubber washer
42	YBDS150-42	55403	Retaining ring
43	YBDS150-43	55404	Ball bearing
44	YBDS150-44	55405	Driven wheel
45	YBDS150-45	55406	Wheel holder
46	YBDS150-46	55413	Spring
47	YBDS150-47	55414	Spindle
48	YBDS150-48	55416	Adjusting spring
49	YBDS150-49	55417	Knob
50	YBDS150-50	55418	Push stick
51	YBDS150-51	55419	Cross screw
52	YBDS150-52	55420	Work table
53	YBDS150-53	55421	Coach bolt
54	YBDS150-54	55422	Long axis
55	YBDS150-55	55423	Bearing seat
56	YBDS150-56	55424	Drive wheel
57	YBDS150-57	55425	Bearing room
58	YBDS150-58	55426	Upper sheild
59	YBDS150-59	55427	Sucker
60	YBDS150-60	55428	Lower sheild
61	YBDS150-61	55429	Self tap screw
62			Sanding belt
63	YBDS150-63	55432	Back stop
64	YBDS150-64	55433	6x16 knob
65	YBDS150-65	55434	Angle gauge
66	YBDS150-66	55435	Cross screw
67	YBDS150-67	55437	Pointer
68	YBDS150-68	55439	Guide fence
69	YBDS150-69	55440	Work table
70	YBDS150-70	55441	Angle seat
71	YBDS150-71	55443	Bolt
72	YBDS150-72	55444	Support
73	YBDS150-73	55445	Pointer
74	YBDS150-74	55447	Fixation bracket
75	YBDS150-75	55448	Knob
76	YBDS150-76	55451	Supporting axis