

EN

Version 4
May 2023

DRAPER[®]

230V

PATIO WEED SWEEPER

84746



**UK
CA** **CE**

These are the original product instructions. This document is part of the product; retain it for the life of the product, passing it on to subsequent holders. Read this manual in full before attempting to assemble, operate or maintain this product.

This Draper Tools manual describes the purpose of the product and contains all the necessary information to ensure its correct and safe use. Following all the instructions and guidance in this manual will ensure the safety of both the product and the operator and increase the lifespan of the product.

All photographs and drawings within this manual are supplied by Draper Tools to help illustrate correct operation of the product.

Every effort has been made to ensure the information contained in this manual is accurate. However, Draper Tools reserves the right to amend this document without prior warning. Always use the latest version of the product manual.

1.1 Product Reference

User Manual for: 230V Patio Weed Sweeper

Stock No: 84746

Part No: PSW1

1.2 Revisions

Version 1: October 2015

First release

Version 2: November 2016

General formatting updates

Version 3: November 2022

General formatting and content updates

Version 4: May 2023

Updates to What's in the Box? section

For the latest version of this manual and the associated parts list, if applicable, please visit

drapertools.com/manuals

1.3 Understanding the Safety Content of This Manual



WARNING! – Situations or actions that may result in personal injury or death.



CAUTION! – Situations or actions that may result in damage to the product or surroundings.

Important: – Information or instructions of particular importance.

1.4 Copyright © Notice

Copyright © Draper Tools Limited.

Permission is granted to reproduce this manual for personal and educational use **ONLY**. Commercial copying, redistribution, hiring or lending is strictly prohibited.

No part of this manual may be stored in a retrieval system or transmitted in any other form or means without written permission from Draper Tools Limited.

In all cases, this copyright notice must remain intact.

1. Preface	2
1.1 Product Reference	2
1.2 Revisions	2
1.3 Understanding the Safety Content of This Manual	2
1.4 Copyright © Notice	2
2. Contents	3
3. Product Introduction	4
3.1 Intended Use	4
3.2 Specification	4
4. Health and Safety Information	5
4.1 General Health and Safety Precautions	5
4.2 Additional Precautions for this Patio Sweeper	5
4.3 Connection to the Power Supply	6
4.4 Residual Risk	6
5. Identification and Unpacking	7
5.1 Product Overview	7
5.2 What's in the Box?	8
5.3 Packaging	8
6. Assembly Instructions	9
7. Operating Instructions	11
7.1 Operation	11
7.2 Notes on Use	12
8. Maintenance and Storage	13
8.1 General Maintenance	13
8.2 Storing the Machine	13
9. Spares, Returns and Disposal	14
10. Warranty	15
11. Explanation of Symbols	16
Notes	17

3. Product Introduction

3.1 Intended Use

This product is designed to clear weeds, moss and dirt from joints and grout lines in patios and other paved surfaces, and is intended for outdoor use. Any other application beyond the conditions established for use will be considered misuse. Draper Tools accepts no responsibility for improper use of this product.

Important: This product is suitable for use on horizontal surfaces **ONLY**.



WARNING! This product is not a toy and must be respected.

Read this manual in full before attempting to assemble, operate or maintain the product, and retain it for later use.

3.2 Specification

Stock No.:	84746
Part No.:	PSW1
Rated voltage:	220–240V AC
Rated frequency:	50Hz
Rated input:	140W
Max. brush size:	Ø100mm
No load speed:	1,200rpm
Noise emissions:	
Sound pressure level:	68dB(A)
Uncertainty:	3 dB(A)
Sound power level:	88dB(A)
Uncertainty:	3dB(A)
Vibrations:	<2.5m/s ²
Vibration uncertainty:	1.5m/s ²
Appliance class:	Class II
Weight:	
Gross:	2.32kg
Net:	2.11kg

Important: The declared vibration total values and noise emissions values have been measured in accordance with a standard test method and may be used for comparing one tool with another. These values may also be used in a preliminary assessment of exposure.



WARNING! The vibration and noise emissions during actual use of the product can differ from the declared values depending on the mode selected and the workpiece upon which it is used. Before each use, estimate the likely exposure resulting from the actual conditions of use. Take into account all parts of the operation cycle in order to identify any safety measures required to protect the operator.

Important: Read all the Health and Safety instructions before attempting to operate, maintain or repair this product. Non-compliance with these instructions may result in injury or damage to the user, the product or the work surface.

4.1 General Health and Safety Precautions

- This machine is not intended for use by persons with reduced physical, sensory or mental capabilities or lack of experience and knowledge unless they have been given supervision or instruction concerning the use of the appliance by a person responsible for their safety.
- Keep this product out of reach of children at all times.
- Observe all standard safety precautions and good practices when working with machines and mechanical tools in an outdoor environment.
- **DO NOT** modify this product in any way and **ONLY** use spare parts supplied by Draper Tools.
- Keep your work environment clear and well-lit, with bystanders at a safe distance.
- Use this product **ONLY** in exterior and well-ventilated environments.
- Before every use, inspect the product for broken, cracked, loose or corroded parts.
Important: DO NOT use this product if it is damaged in any way. **DO NOT** attempt to open a damaged product; contact Draper Tools to discuss repair and replacement options.
- **ONLY** connect the product to a power supply matching the rated voltage of the product.
- Keep the power cable away from oil, sharp edges, sources of heat and the spinning brush attachments.
- If the supply cord is damaged, it must be replaced with a special cable available from Draper Tools or its authorised service agent.
- **NEVER** pull on the power cable to disconnect the plug from the socket.
- **NEVER** handle the plug or operate this product with wet hands.
- Use the product only in the manner described in this manual.
- Wear appropriate personal protective equipment, including safety goggles, ear defenders and protective footwear and gloves.

- Remove all adjustment tools before use.
- **DO NOT** overreach and maintain good balance while using the tool.
- **DO NOT** immerse this product in water or subject it to wet conditions.
- **DO NOT** expose this product to frost.
- Maintain the machine appropriately and correctly in order to prevent damage to moving parts and mechanisms.
- **ONLY** have the machine serviced by authorised and suitably qualified personnel.
- This is a Class II appliance.

4.2 Additional Precautions for this Patio Sweeper

- This product must be supplied through a residual current device (RCD) with a rated residual operating current of no greater than 30mA.
- **DO NOT** tamper with or disable any of the safety systems employed by this machine.
- **NEVER** operate the machine if the brush guard, brush or guide wheel are damaged or missing.
- **ALWAYS** ensure that all assembly points are securely fastened before use.
 - Ensure that the brush attachment is mounted securely and soundly before **EVERY** use.
- Ensure that the planned route is free from obstructions and that the material is suitable for use with this machine.
 - **ALWAYS** keep the power cable clear of the intended route.
- Keep a firm and secure grip on both handles during use.
- **ALWAYS** keep the brush attachment clear of the work surface and surrounding objects during start-up.
- Keep hands, feet and loose clothing well away from the brush attachment while the product is connected to a mains power supply.
 - **ALWAYS** disconnect the product from the power supply when clearing jammed or binding brushes.
- Be aware of stones or other debris that may be thrown into the air by the brush attachment.

4. Health and Safety Information

- **ALWAYS** release the trigger switch and safety lock and allow the brush to completely stop before transporting or repositioning the product.
- Be wary of the exposed brushes during transportation.
- To reduce the risks associated with prolonged exposure to vibrations through the handles, avoid operating the machine for longer than necessary.
- If the product vibrates abnormally during use, immediately stop the machine, allow it to cool and investigate the cause.
 - **DO NOT** use the machine until the issue has been resolved.
- **ALWAYS** switch off the engine, allow the brush attachment to stop completely and allow the engine to cool before adjusting, maintaining or transporting the machine.
- To avoid accidental start-up, ensure that the safety lock is engaged and the trigger switch is not depressed while transporting the tool or connecting it to mains power.

4.3 Connection to the Power Supply

This appliance is supplied with an approved plug and cable for your safety. The value of the fuse fitted is marked on the pin face of the plug. Should the fuse need replacing, ensure the substitute is of the correct rating, approved to BS 1363/A and ASTA or BS Kite marked.

ASTA 

BSI 

Replacement of the fuse should only be performed by suitably qualified personnel.

If the power supply cord is damaged, it must be replaced by Draper Tools, an authorised service agent or similarly qualified personnel in order to avoid a hazard.

The damaged or incomplete plug, when cut from the cable, shall be disabled to prevent connection to a live electrical outlet.

This product is Class II* and is designed for connection to a power supply matching that detailed on the rating label and compatible with the plug fitted.

If an extension lead is required, use an approved and compatible lead rated for this appliance. Follow all the instructions supplied with the extension lead.

If the plug must be connected in an outside environment, ensure that the outlet or extension lead is suitably designed for outside use.

Important: Always follow the extension lead instructions regarding maximum load while the cable is wound. If in doubt, unwind the entire cable. A coiled extension lead generates heat which could melt the lead and cause a fire.

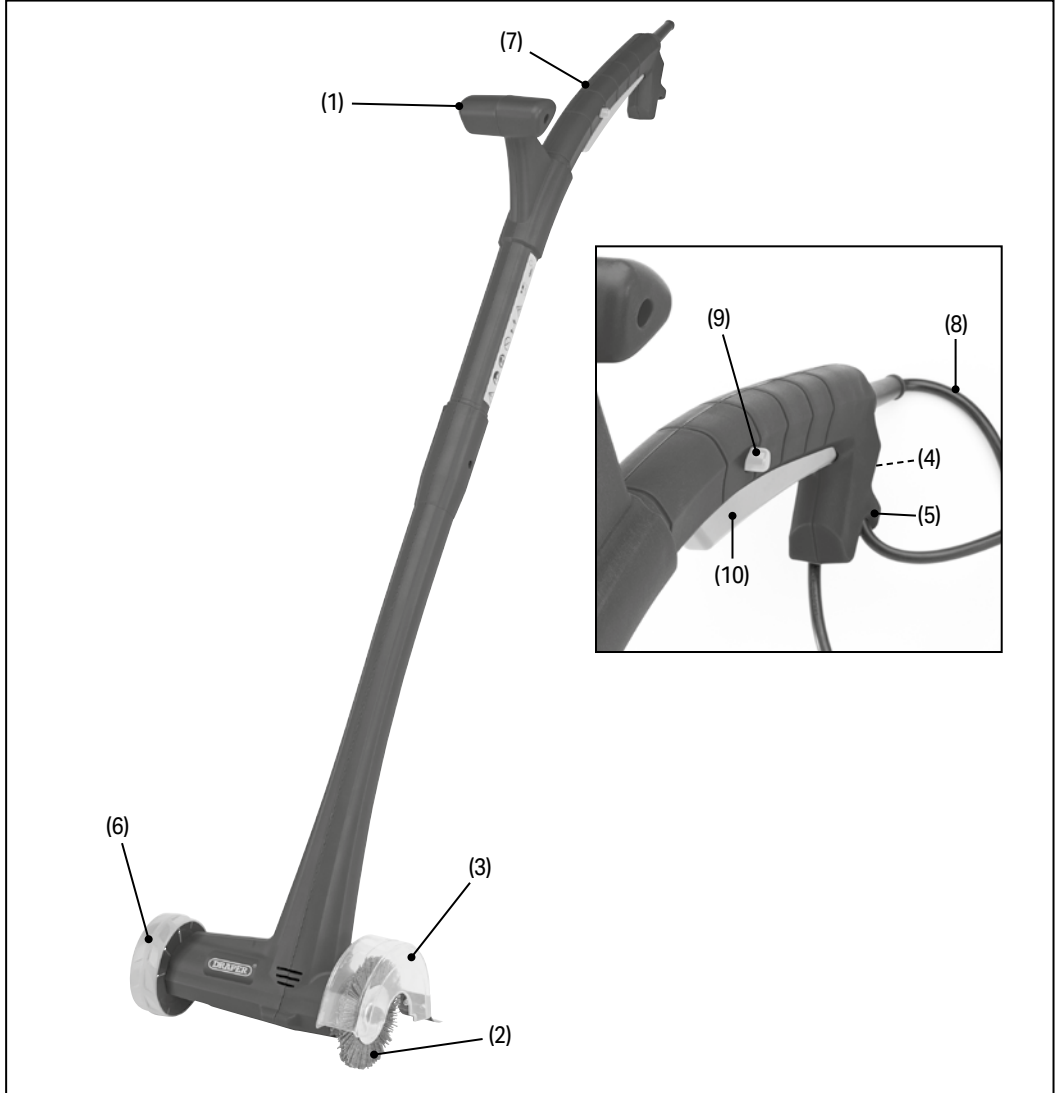
Important: This product **MUST** be used with a residual current device (RCD), e.g. Draper Stock Nos. 69307 or 89301. **ALWAYS** read the manufacturer instructions for any RCD use. For your safety, if an extension cable is used, the RCD **MUST** be installed at the power outlet and not into the extension lead.

***Double Insulated:** This product is double insulated and does not require an earth connection to protect against electric shock from accessible conductive parts in the event of failure of the basic insulation.

4.4 Residual Risk

The safety instructions in this manual cannot account for all possible conditions and situations that may occur. Exercise common sense and caution when using this product and protect against any additional conceivable risks.

5.1 Product Overview



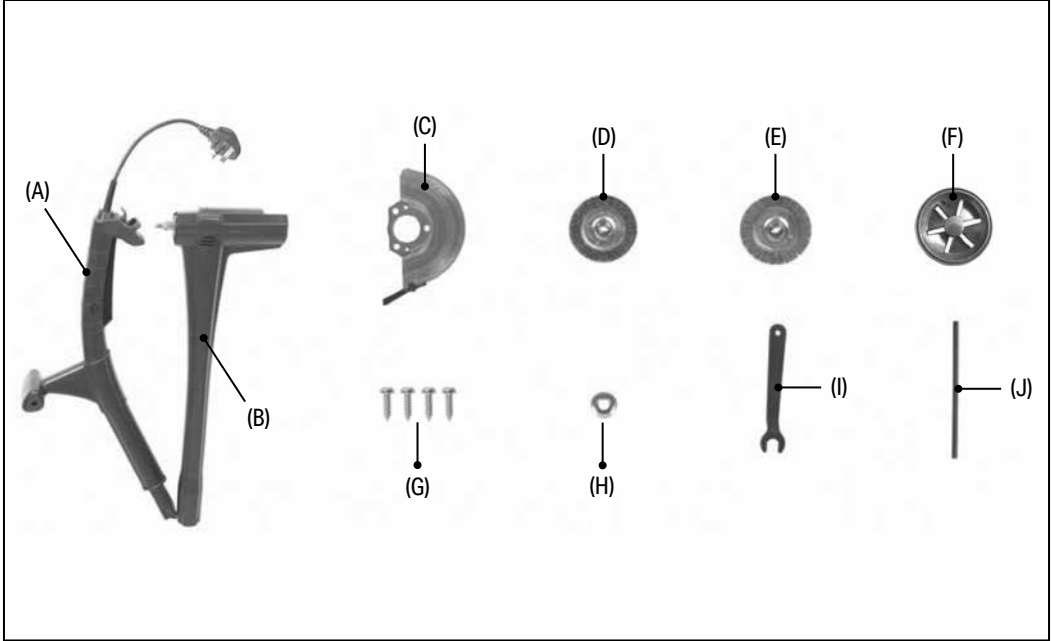
- (1) Auxiliary handle
- (2) Brush attachment
- (3) Brush guard
- (4) Cable strain relief clamp
- (5) Cable strain relief loop
- (6) Guide wheel
- (7) Main handle
- (8) Power cable and plug
- (9) Safety lock
- (10) Trigger switch

5. Identification and Unpacking

5.2 What's in the Box?

Carefully remove the product from the packaging and examine it for any signs of damage that may have occurred during shipment.

Before assembling the product, lay the contents out and check them against the parts shown below. If any part is damaged or missing, do not attempt to use the product. Please contact the Draper Helpline; contact details can be found at the back of this manual.



- (A) 1 x Upper frame
- (B) 1 x Lower frame
- (C) 1 x Brush guard
- (D) 1 x Nylon brush
- (E) 1 x Steel brush
- (F) 1 x Guide wheel

- (G) 4 x 3.5 x 13mm screws
- (H) 1 x M8 nut
- (I) 1 x M8 spanner
- (J) 1 x Pin tool

5.3 Packaging

Keep the product packaging for the duration of the warranty period for reference should the product need to be returned for repair.

WARNING! Keep packaging materials out of reach of children. Dispose of packaging correctly and responsibly and in accordance with local regulations.

Please visit drapertools.com for our full range of accessories and consumables.

6. Assembly Instructions

EN

Important: Before attempting to assemble or use this product, read and understand all the safety instructions listed in this manual. **ALWAYS** ensure that the power cable is disconnected from the mains supply before assembling or adjusting this product.

Important: Take care not to overtighten screw fixings.

1. Insert the upper frame (A) into the lower frame (B) and secure the pieces together using a 3.5 x 13mm screw (G) through each side.

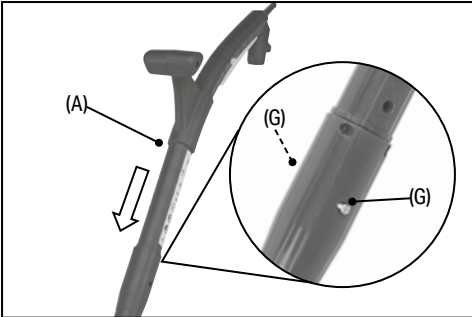


Fig. 1

2. Insert the guide wheel (F) into the opening (11) at the base of the lower frame, ensuring that it clicks into place.

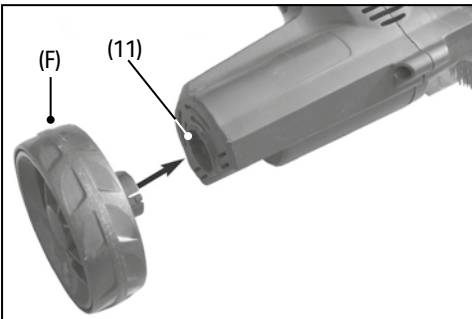


Fig. 2

3. Align the brush guard with the holes around the brush axle (12) and secure it in place with the two remaining screws (G).

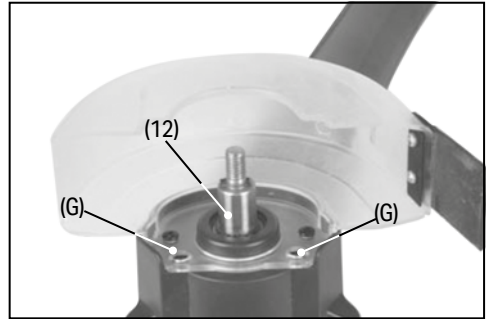


Fig. 3

4. Push the chosen brush (D) (E) fully onto the axle, ensuring it fits soundly on the mount (13).

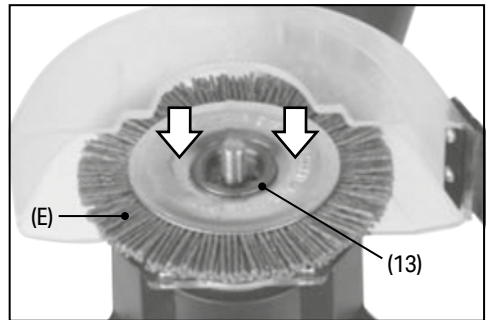


Fig. 4

Important: Ensure that the rotation direction marked on the brush matches the direction indicated on the guard.

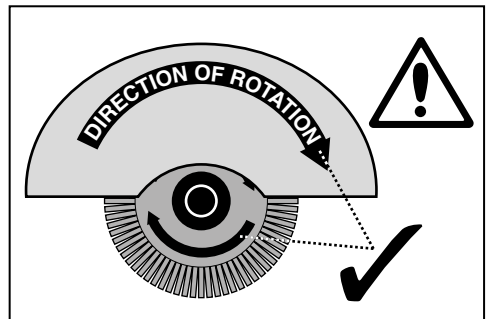


Fig. 5

6. Assembly Instructions

5. Insert the pin tool (J) into the hole (14) in the brush axle and place the M8 nut (H) onto the end of the brush axle.
6. Using the pin tool to lock the axle, use the M8 spanner (I) to tighten the nut into place.

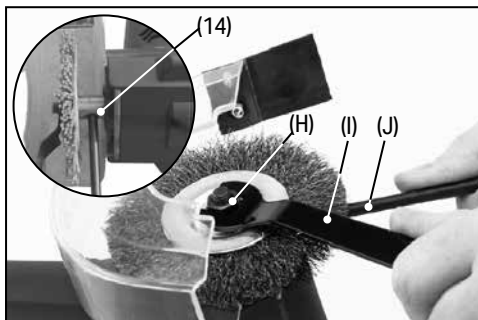



Fig. 6

To change the brush attachment, use the pin tool and spanner to remove the nut and slide the brush away from the axle.

7.1 Operation

 **WARNING!** Ensure that the brush attachment is in good condition and is securely and soundly attached before EVERY use. The safety lock MUST be engaged when transporting the product.

1. Move the product to the required location before connecting the power cable to a mains supply.

Important: This product **MUST** be supplied via an RCD installed at the power outlet to reduce the risk of shock.

2. Form a loop in the power cable and feed it up through the cable strain relief loop (5), then hook it over the cable strain relief clamp (4) and pull downwards to tighten it.

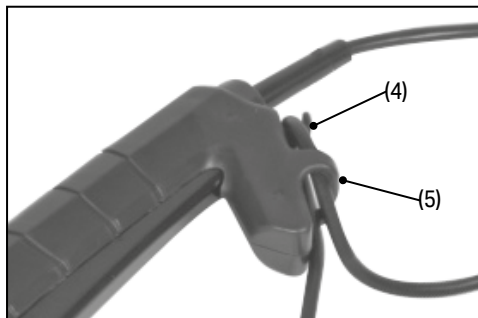


Fig. 7

3. To switch on the tool, press and hold the safety lock (9) and squeeze the trigger switch (10).

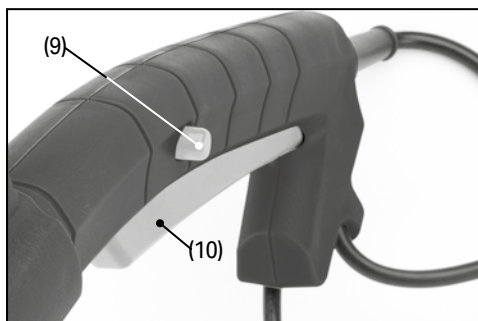


Fig. 8

Important: Ensure that the brush attachment (2) is safely clear of the surface as you switch the machine on.

4. Slowly and carefully lower the machine into a joint in the surface until the brush contacts the material and the guide wheel (6) rests on the surface.
5. Gripping both handles, guide the brush along the joint until the required materials have been cleared.
6. To switch off the machine, release both the trigger switch and the safety lock.



Fig. 9

Important: ALWAYS switch off the machine before moving to a new location or joint.

7. Operating Instructions

7.2 Notes on Use

Important: Read these instructions in full before using this product.

- Draper Tools strongly recommends trialling the machine on a small and discreet area before full use to assess the risk of any damage to the surface.
- This machine is suitable for use on horizontal surfaces underfoot **ONLY**.
 - **DO NOT** use this product to clear walls or other vertical surfaces, or the underside of overhanging ledges.
- Assess the suitability of each brush for the operation before **EVERY** use.
 - The steel brush (E) is suitable for robust surfaces and stubborn weeds.
 - Draper Tools recommends that the nylon brush (D) is used for light vegetation and where the surface may be too sensitive for the steel brush.



CAUTION! NEVER use this product to clean between highly sensitive surfaces, such as tiles.

- Check the condition of the brush attachment before **EVERY** use.
 - **DO NOT** use damaged or excessively worn brushes.
- **ALWAYS** operate the machine in a vertical position and grip it with both hands.
- For a consistent finish, the machine should travel at a constant speed during operation.
 - For best results, guide the machine along at roughly walking pace.
 - If necessary, pass the machine over the same area several times.

Important: ALWAYS ensure that the machine is disconnected from the power supply, and has completely stopped, and that the safety lock is engaged before attempting to maintain this product.

8.1 General Maintenance

Other than the brush attachments, this product contains no parts that are serviceable by the user. However, regular care will help to ensure a longer lifespan for the product. Draper Tools recommends cleaning the product immediately after each use.

- Keep all switches and air vents clean and free from dust and debris as far as possible.
 - Use a vacuum or compressed air at low pressure to clean around the air vents and switches.
- Use a lightly damp cloth and mild soap to clean the machine frame.
 - **DO NOT** use solvents or other aggressive substances as they may damage plastic or insulated parts of the product.
 - Take care not to allow any moisture inside the body of the machine during cleaning.
- Use a brush to clean the brush guard of any accumulating dust or debris.
- Replace the brush attachments when they become excessively worn or show signs of damage.
- If excessive sparking occurs in the motor, the carbon motor brushes may need changing.
 - Have the machine inspected by an authorised service agent; **DO NOT** attempt to remove or service the motor yourself.

8.2 Storing the Machine

- Disconnect the plug from the power supply when not in use and store the cable tidily.
- Store the machine in an upright position.
- Store the machine in a clean and dry location, out of direct sunlight and out of reach of children.
- Store the product in temperatures between 5–30°C where there is no risk of frost.

9. Spares, Returns and Disposal

For spare parts, servicing, and repair and replacement options, please contact the Draper Tools Product Helpline for details of your nearest authorised agent.

Draper Tools will endeavour to hold any spare parts, if applicable, for seven years from the date that it sells the final matching stock item.

Any servicing or repairs carried out by unauthorised personnel or installation of spare parts not supplied by Draper Tools will invalidate your warranty.

Important: ALWAYS clean the product of any dirt or debris before returning it to Draper Tools or its authorised agent.

At the end of its working life, dispose of the product responsibly and in line with local regulations. Recycle where possible.

DO NOT dispose of this product with domestic waste; most local authorities provide appropriate recycling facilities.



Draper Tools products are carefully tested and inspected before shipment and are guaranteed to be free from defective materials and workmanship.

Should the tool develop a fault, return the complete tool to your nearest distributor or contact Draper Tools directly. Contact information can be found at the back of this manual.

Proof of purchase must be provided.

If, upon inspection, it is found that the fault occurring is due to defective materials or workmanship, repairs will be carried out free of charge. This warranty period covers parts and labour for 12 months from the date of purchase. Where tools have been hired out, the warranty period covers 90 days from the date of purchase.

This warranty does not apply to any consumable parts, batteries or normal wear and tear, nor does it cover any damage caused by misuse, careless or unsafe handling, alterations, accidents, or repairs attempted or made by any personnel other than the authorised Draper Tools repair agent.

In all cases, to make a claim for faulty workmanship or materials within the standard warranty period, please contact or return the product to the place of purchase. Proof of purchase may be required.

If the place of purchase is no longer trading or if you experience any difficulties with your warranty, please contact Customer Services with the product details and your proof of purchase. Contact details can be found at the back of this manual.

If the tool is not covered by the terms of this warranty, repairs and carriage charges will be quoted and charged accordingly.

This warranty supersedes any other guarantees expressed or implied and variations of its terms are not authorised.

Your Draper Tools guarantee is not effective until you can produce, upon request, a dated receipt or invoice to verify your purchase within the guarantee period.

Please note that this warranty is an additional benefit and does not affect your statutory rights.

Draper Tools Limited

11. Explanation of Symbols



Read the instruction manual



Wear suitable protective goggles



Wear ear defenders



Wear protective gloves



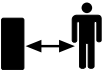
Wear protective footwear



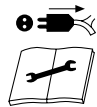
Do not use in rain or snow or expose the product to wet conditions



Warning!



Keep bystanders at a safe distance from the work area



Switch off the product and disconnect the power supply before cleaning or maintaining the product



Rotating parts; keep hands and feet away from the brush



Beware of objects ricocheting out of the guard



Class II construction
(Double insulated)



Rated input



No load speed



Power cable length



Continuous A-weighted sound power level



WEEE -

Waste Electrical & Electronic Equipment
Do not dispose of Waste Electrical & Electronic Equipment
in with domestic rubbish



European conformity



UK Conformity Assessed

Contact Details

Draper Tools

Draper Tools Limited
Hursley Road
Chandler's Ford
Eastleigh
Hampshire
SO53 1YF
UK

Website: drapertools.com

Email: sales@drapertools.com

Product Helpline: +44 (0) 23 8049 4344

Telephone Sales Desk: +44 (0) 23 8049 4333

General Enquiries: +44 (0) 23 8026 6355

General Fax: +44 (0) 23 8026 0784

Delta International

Delta International BV
Oude Graaf 8
6002 NL
Weert
Netherlands

Please contact the Draper Tools Product Helpline for repair and servicing enquiries.