

DRAPER

EN

Original Instructions
Version 2 - February 2025

ROLLER STAND

70273



1. Product Introduction

1.1 Intended Use

This telescopic roller stand is designed to be used with bandsaws and planer/thicknesser machines where additional support is required for long workpieces.

Any other application beyond the conditions established for use will be considered misuse. Draper Tools accepts no responsibility for improper use of this product.

Read this manual in full before using this product and retain it for future use. Always use the latest version of the manual. Please visit drapertools.com/manuals for the latest version

1.2 Specification

Stock No.	70273
Part No.	RST310A
Roller length	282mm
Roller diameter	48mm
Min. stand height	670mm
Max. stand height	1060mm
Max. supporting weights	
Min. height 670mm	60kg
Max. height 1060mm	30kg
Net weight	4kg

2. Assembling the Roller Stand

EN

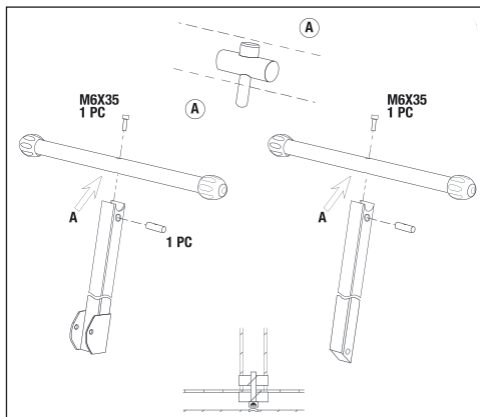


Fig. 1

1. Attach the feet.

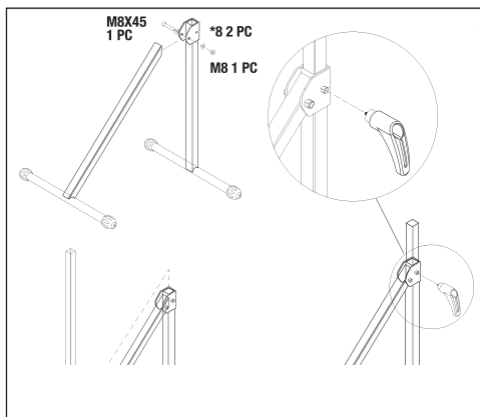


Fig. 2

2. Connect the folding legs.
3. Slide the extending arm.
4. Screw in the adjustment handle.

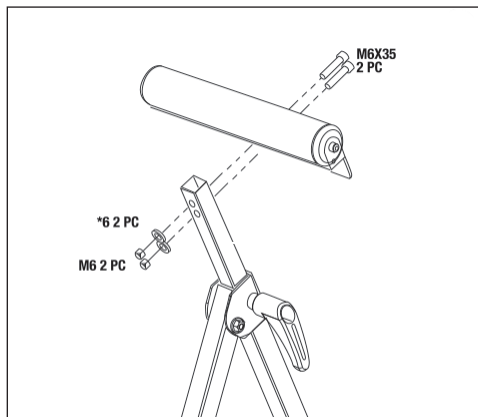


Fig. 3

5. Attach the roller head.

Contact Details

Draper Tools

Draper Tools Limited
Hursley Road
Chandler's Ford
Eastleigh
Hampshire
SO53 1YF
UK

Website: drapertools.com

Email: sales@drapertools.com

Product Helpline: +44 (0) 23 8049 4344

Telephone Sales Desk: +44 (0) 23 8049 4333

General Enquiries: +44 (0) 23 8026 6355

Delta International

Delta International BV
Oude Graaf 8
6002 NL
Weert
Netherlands

Please contact the Draper Tools Product Helpline for repair and servicing enquiries.