

MOD-FPSKIT100-CPF
MOD-FPSKIT150-CPF
MOD-FPSKIT200-CPF

Modular Series Ceiling Kit

For 32" to 60" Flat Panel Displays

The Peerless-AV Modular Mounts Line features a full range of products that can fulfill multiple requirements from a limited number of SKUs. With the universality of the components, configure your own perfect custom flat-panel display or projector mounting solution for any application.

The Modular Mount Line was developed with the professional AV installer in mind. Designed around a 2" (50mm) diameter pole, the line is ideal for new projects as well as for upgrading existing installations.

The MOD-FPSKIT100/150/200 Ceiling Mount Kit comes with all of the components required to ceiling mount a single 32-60" flat panel display. As a part of the Peerless-AV™ Modular Series, it can be expanded with additional Modular accessories (sold separately) to accommodate additional displays, configurations to achieve the perfect custom mounting solution.



FEATURES

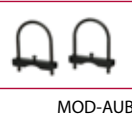
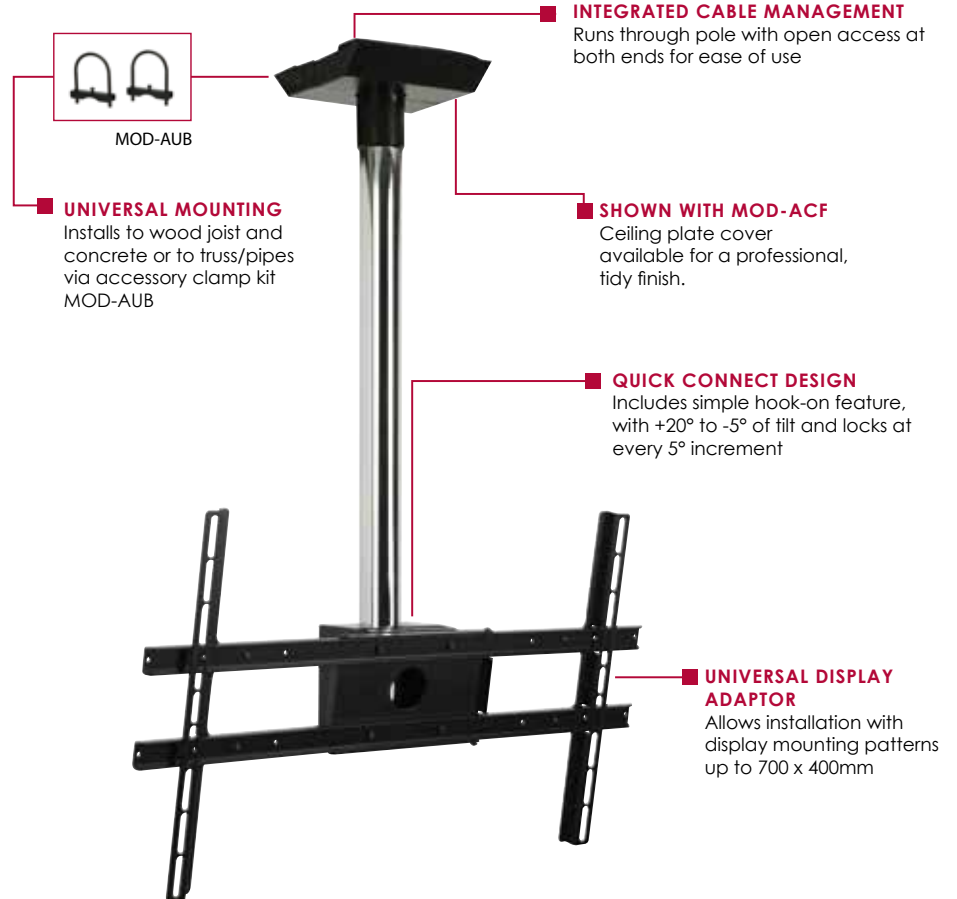
- Pre-assembled Kit includes:
 - Heavy Duty Flat Ceiling Plate
 - 1m, 1.5m or 2m chrome extension pole
 - Single display flat panel mount
 - Large universal adaptor
- Mounts to concrete and wood joist ceilings
- Easy installation of a single display with 1m, 1.5m or 2m ceiling drop.
- Universal display adaptor for 32" to 60" displays with VESA® mounting patterns up to 700 x 400mm



Display size: 32" - 60"



Max load:
Single screen - 60kg (132lb) Back to Back - 120kg (264lb)



■ **UNIVERSAL MOUNTING**
Installs to wood joist and concrete or to truss/pipes via accessory clamp kit MOD-AUB

■ **INTEGRATED CABLE MANAGEMENT**
Runs through pole with open access at both ends for ease of use

■ **SHOWN WITH MOD-ACF**
Ceiling plate cover available for a professional, tidy finish.

■ **QUICK CONNECT DESIGN**
Includes simple hook-on feature, with +20° to -5° of tilt and locks at every 5° increment

■ **UNIVERSAL DISPLAY ADAPTOR**
Allows installation with display mounting patterns up to 700 x 400mm



Tilt bracket



Heavy Duty Ceiling/Floor Plate Accessory: MOD-CPF

MOD-FPSKIT100 - CPF	Modular Series Flat Panel Single Screen Kit 1M with Flat Ceiling Plate
MOD-FPSKIT150 - CPF	Modular Series Flat Panel Single Screen Kit 1.5M with Flat Ceiling Plate
MOD-FPSKIT200 - CPF	Modular Series Flat Panel Single Screen Kit 2M with Flat Ceiling Plate

Product Specifications

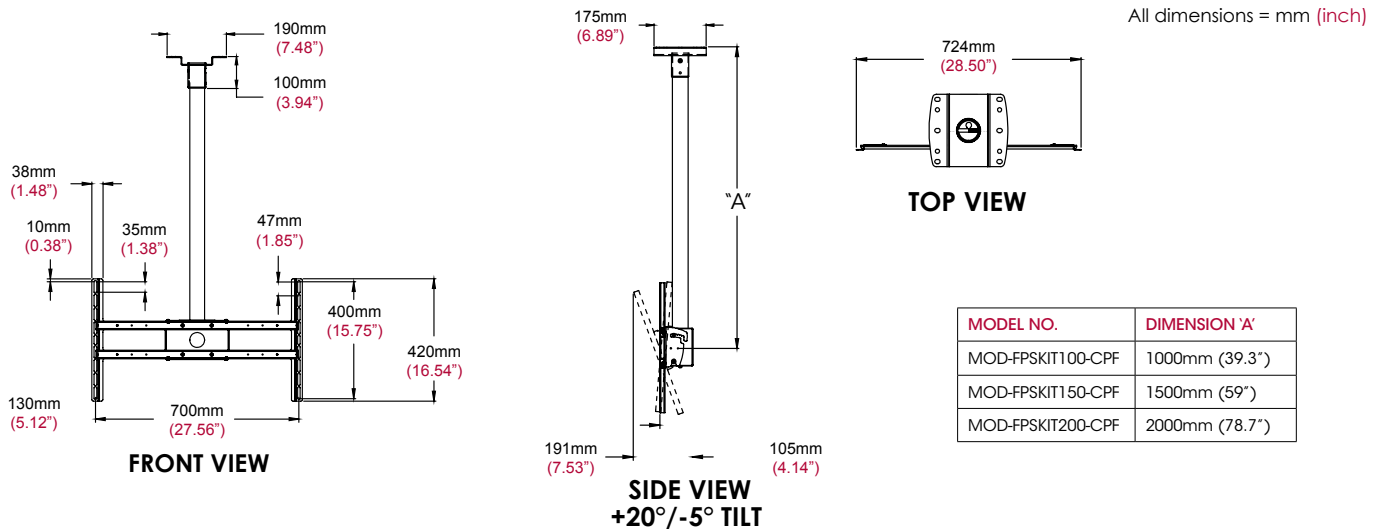
	DIMENSIONS (W x H x D)	PRODUCT WEIGHT	LOAD CAPACITY	FINISH
MOD-FPSKIT 100 - CPF	724 x 1210 x 175mm (28.5" x 47.6" x 6.8")	7kg (15.43lb)	60 kg	Powder coat
MOD-FPSKIT 150 - CPF	724 x 1710 x 175mm (28.5" x 67.3" x 6.8")	7.8kg (17.19lb)	60 kg	Powder coat
MOD-FPSKIT 200 - CPF	724 x 2210 x 175mm (28.5" x 87" x 6.8")	Carton 1: 4.9kg (10.80lb) Carton 2: 4kg (8.81lb)	60 kg	Powder coat

Package Specifications

	PACKAGE SIZE (W x H x D)	PACKAGE SHIP WEIGHT	PACKAGE UPC CODE	PACKAGE CONTENTS	UNITS IN PACKAGE
MOD-FPSKIT 100 - CPF	1044 x 112 x 292mm (41.13" x 4.44" x 11.5")	9.3kg (20.53lb)	735029300793	- MOD-CPF Heavy Duty Ceiling Plate	1
MOD-FPSKIT 150 - CPF	1587 x 127 x 304mm (62.5" x 5" x 12")	10.6kg (23.38lb)	735029300809	- MOD-P100 1.0 extension pole or MOD-P150 1.5m extension pole or MOD-P200 2m extension pole	1
MOD-FPSKIT 200 - CPF	Carton 1: 796 x 100 x 292mm (31.37" x 3.94" x 11.5") Carton 2: 2057 x 63mm x 63mm (81" x 2.5" x 2.5")	Carton 1: 5.9kg (13.03lb) Carton 2: 4.5kg (10lb)	735029300816	- MOD-FPMS single screen mount - MOD-UNL large universal adaptor	2

Accessories

MOD-ACF(-W): Accessory Cover for MOD-CPF Ceiling Plate	MOD-CPC(-W): Ceiling Plate, Cathedral	MOD-P150: 50mm Extension Pole - 59" (1.5m)
MOD-ADF: Accessory Drill Fixture for 50mm Pole	MOD-CPF: Square Ceiling Plate, Flat (7.4" x 6.8")	MOD-P200: 50mm Extension Pole - 78" (2.0m)
MOD-APC: Accessory Pole Coupler	MOD-CPI: I-Beam Ceiling Plate, Flat	MOD-P300: 50mm Extension Pole - 118" (3.0m)
MOD-ASC: Accessory Screen-Stacking Clamp	MOD-FPMD: Flat Panel Mount, Dual Back-To-Back	MOD-UNL: Universal Screen Adaptor, Large
MOD-ATD-W: Accessory Trim Disc	MOD-FPMS(-W): Flat Panel Mount, Single	MOD-UNM: Universal Screen Adaptor, Medium
MOD-AUB: Accessory U-Bolt Adaptor	MOD-P100: 50mm Extension Pole - 39" (1.0m)	



ARCHITECTS SPECIFICATIONS

The Modular Series Ceiling Kit shall be a Peerless-AV model MOD-FPSKIT100/150/200 and shall be located where indicated on the plans. Assembly and installation shall be done according to instructions provided by the manufacturer.

Visit www.peerless-av.com to see the complete line of AV solutions from Peerless-AV, including flat panel mounts, projector mounts, carts/stands, furniture, cables, screen cleaners and a full assortment of accessories.

© 2014 Peerless Industries, Inc. Peerless-AV® is a registered trademark of Peerless Industries, Inc. All rights reserved.