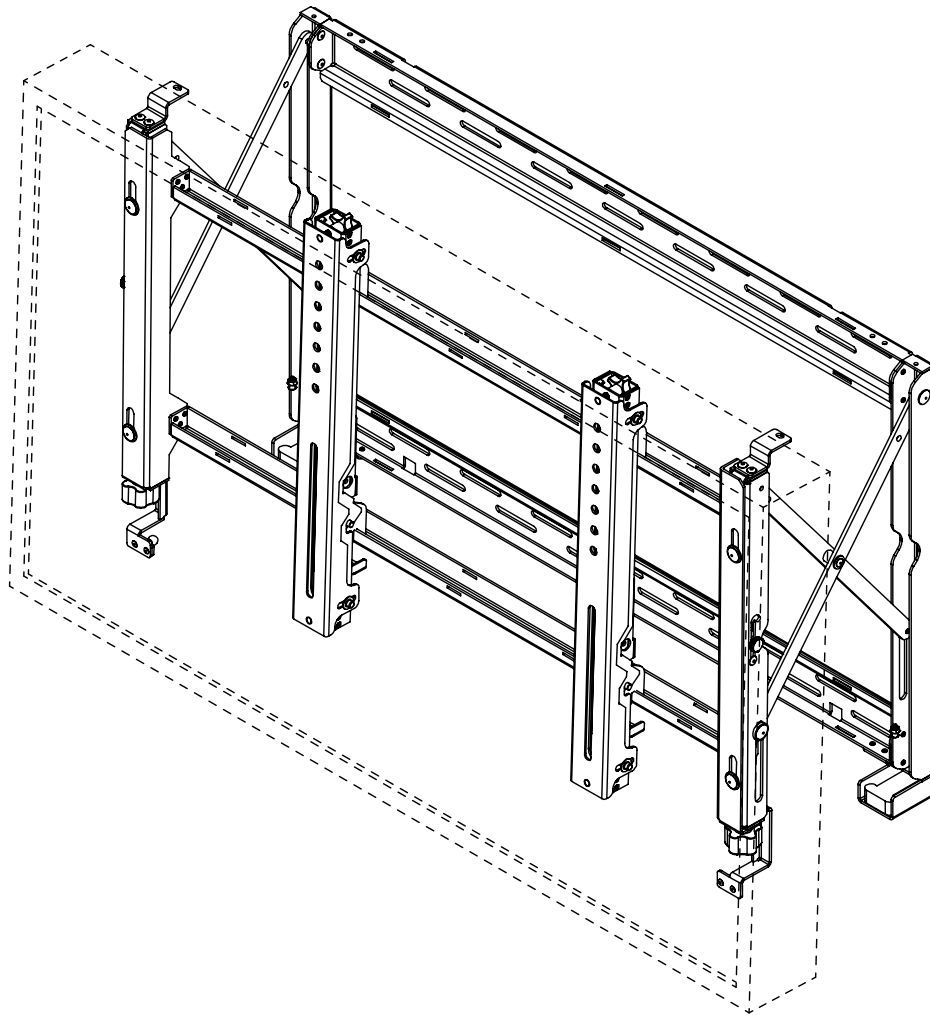




Installation and Assembly: Full Service Video Wall Mount

Model: DS-VW765-LQR



Max UL Load Capacity:
125 lb (57 kg)

NOTE: Read entire instruction sheet before you start installation and assembly.

⚠ WARNING

- Do not begin to install your Peerless product until you have read and understood the instructions and warnings contained in this Installation Sheet. If you have any questions regarding any of the instructions or warnings, for US customers please call Peerless customer care at 1-800-865-2112, for all international customers, please contact your local distributor.
- This product should only be installed by someone of good mechanical aptitude, has experience with basic building construction, and fully understands these instructions.
- Make sure that the supporting surface will safely support the combined load of the equipment and all attached hardware and components.
- Never exceed the Maximum Load Capacity. See page one.
- If mounting to wood wall studs, make sure that mounting screws are anchored into the center of the studs. Use of an "edge to edge" stud finder is highly recommended.
- Always use an assistant or mechanical lifting equipment to safely lift and position equipment.
- Tighten screws firmly, but do not overtighten. Overtightening can damage the items, greatly reducing their holding power.
- This product is intended for indoor use only. Use of this product outdoors could lead to product failure and personal injury.
- This product was designed to be installed on the following wall construction only;

WALL CONSTRUCTION

HARDWARE REQUIRED

- | | |
|------------------|----------|
| • Wood Stud | Included |
| • Wood Beam | Included |
| • Solid Concrete | Included |
| • Cinder Block | Included |

Tools Needed for Assembly

- stud finder ("edge to edge" stud finder is recommended)
- phillips screwdriver
- drill
- 5/16" (8 mm) bit for concrete and cinder block wall
- 5/32" (4 mm) bit for wood stud wall
- level

Accessories

- DS-VWS0## Wall Plate Spacer Kit

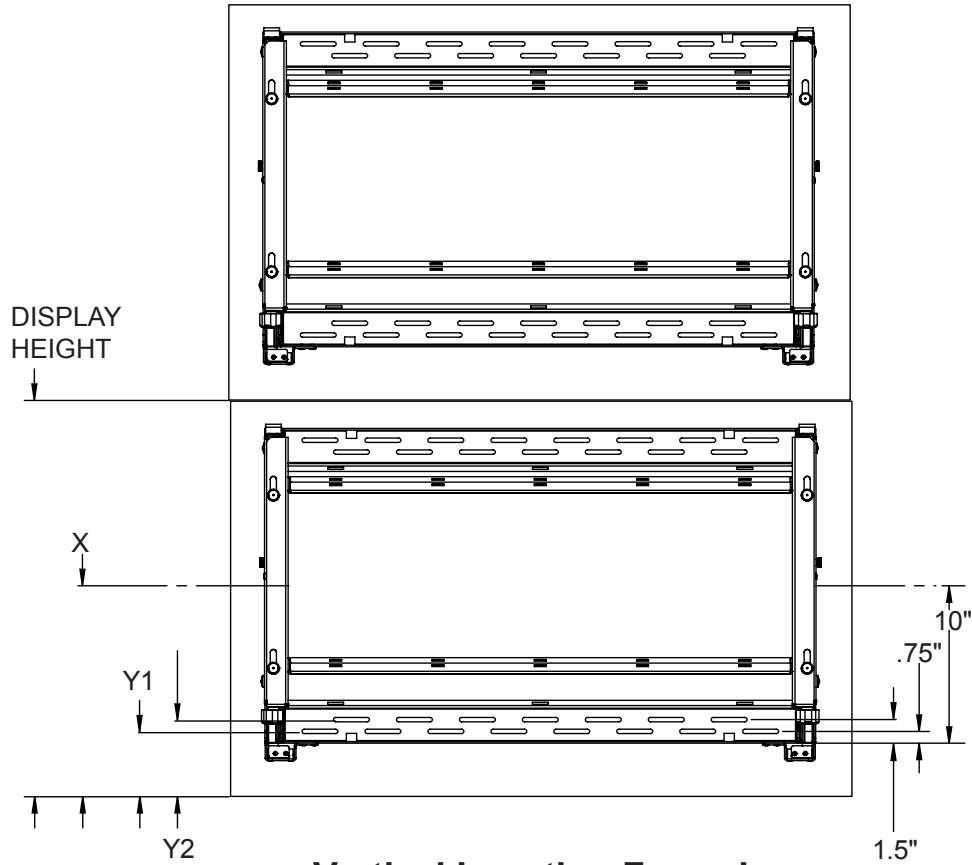
Table of Contents

Vertical and Horizontal Video Wall Mount Spacing and Assembly Formulas.....	3
Parts List	4
Installation to Wood Stud Wall	5
Installation to Solid Concrete or Cinder Block Wall	6
Attaching Adapter Brackets to Display	7
Attaching Display with Adapter Brackets to Pull-Out Mount Assembly/ Adding Additional Tension	7
Display Adjustment.....	8 and 9
Cable Management.....	10
Open or Close Pull-Out Mount Assembly.....	10
Pull-Out Mount Assembly (Optional) Security	10
Open or Close Adapter Brackets.....	11
Multiple Displays (Optional): Installing Spacer Kit (Sold Separately).....	12

Vertical Video Wall Spacing Location

If DS-VWS0## Wall Plate Spacer Kit is not available use diagram below to determine vertical spacing.

To determine lower mounting slot position of second mount, add display height to (Y1) or (Y2)



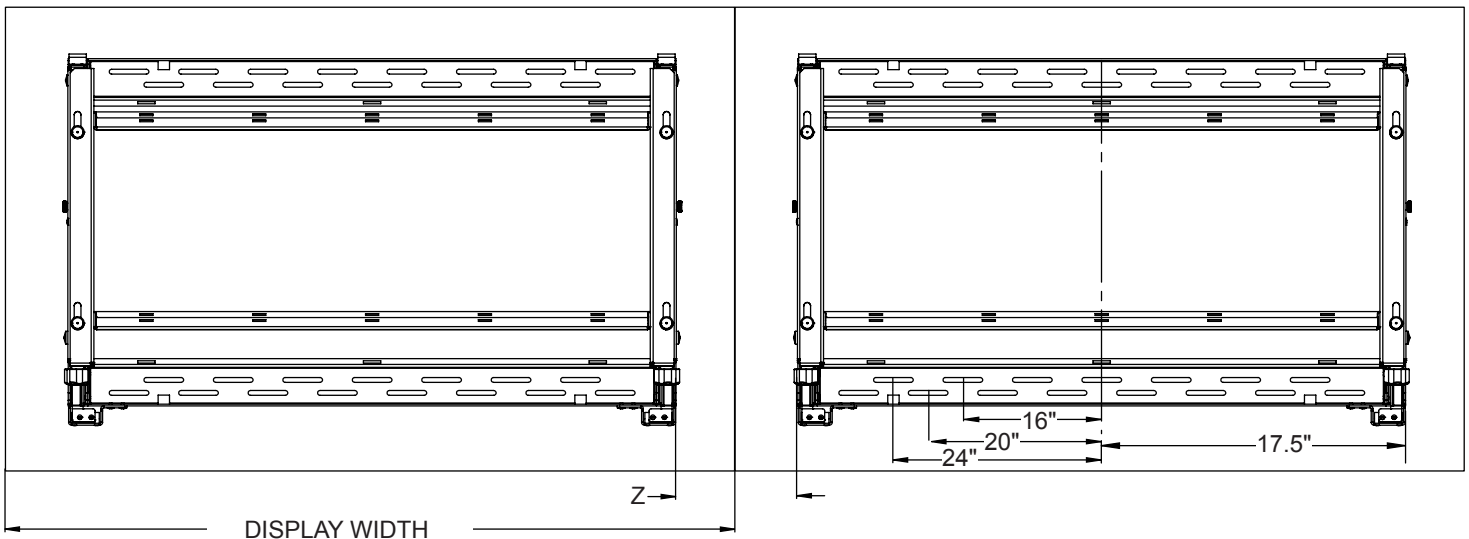
Vertical Location Formula

$$X - 10.00 + (.75 \text{ OR } 1.5) = (Y1 \text{ OR } Y2)$$

Horizontal Video Wall Spacing Location

If DS-VWS0## Wall Plate Spacer Kit is not available use diagram below to determine horizontal spacing.

To determine edge of second mount, add (Z) to edge of first mount.

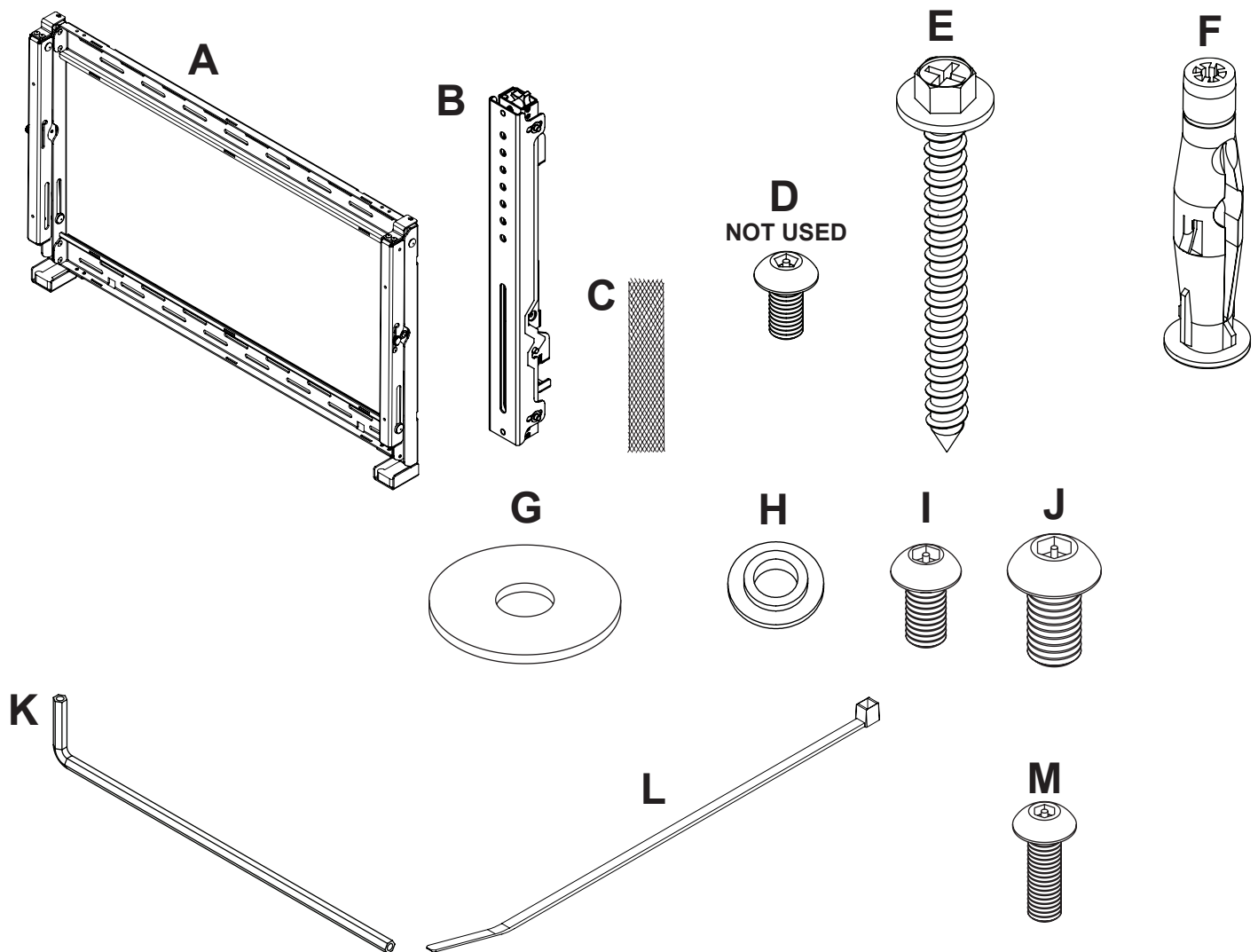


Horizontal Location Formula

$$\text{DISPLAY WIDTH} - (35) = Z \text{ (SPACING BETWEEN MOUNTS)}$$

Parts List

	Part Description	Quantity	Part Number
A	pull-out mount assembly	1	145-T1860
B	adapter bracket	2	145-T1926
C	mesh sleeve	1	600-1014
D	M5 x 10mm socket pin type-F screw (not used)	2	520-1164
E	#14 x 2.5" hex head wood screw	4	5S1-015-C03
F	concrete anchor	4	590-0320
G	fender washer	4	540-1008
H	nylon shoulder washer	4	590-2233
I	M6 x 12mm socket pin screw	4	520-1050
J	M8 x 15mm socket pin screw	4	520-1068
K	4mm allen wrench	1	560-9646
L	cable tie	2	560-9711
M	M5 x 16mm socket pin screw	2	520-1161

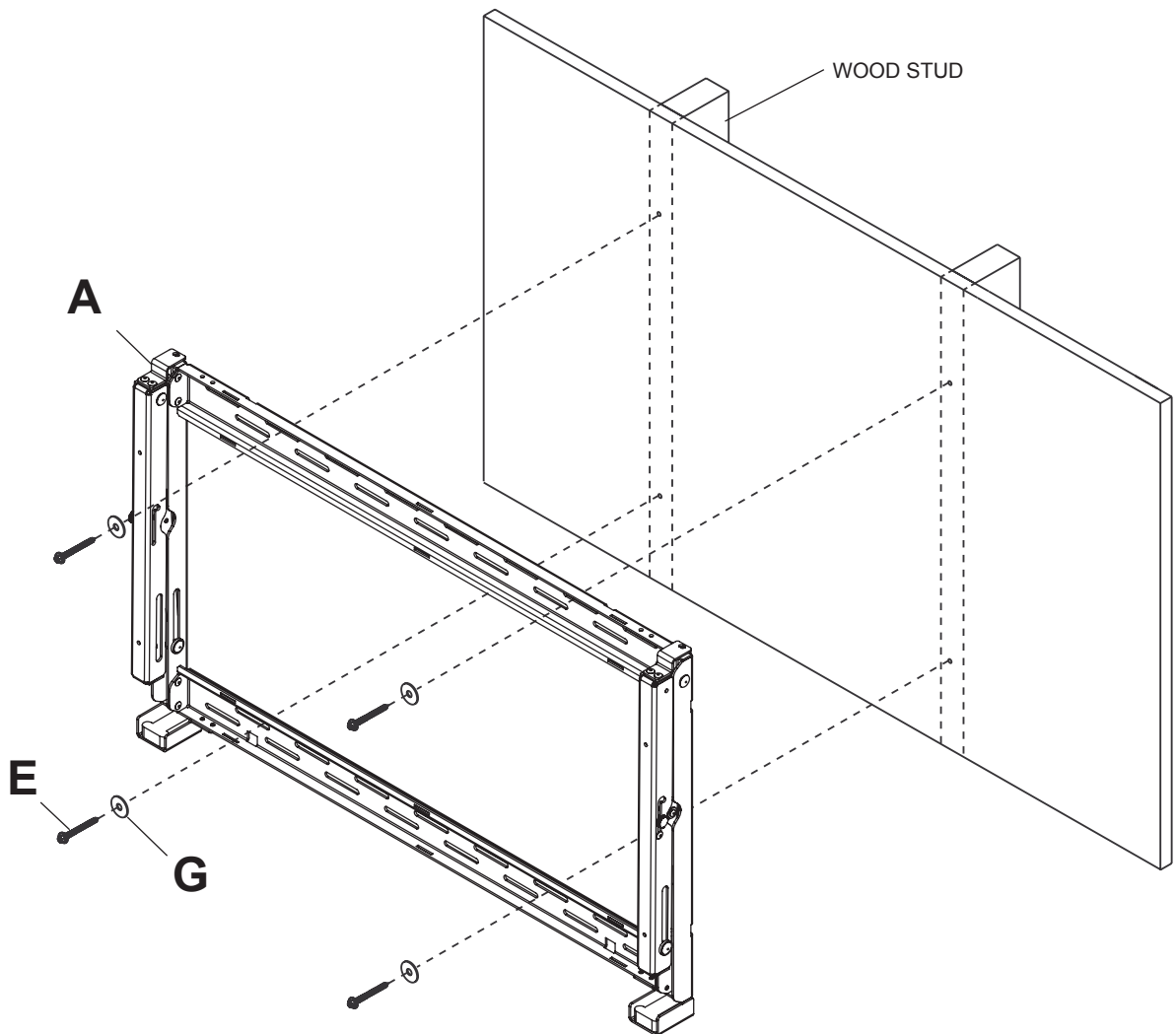


Installation to Wood Stud Wall

⚠ WARNING

- Installer must verify that the supporting surface will safely support the combined load of the equipment and all attached hardware and components.
- Tighten wood screws so that wall plate is firmly attached, but do not overtighten. Overtightening can damage the screws, greatly reducing their holding power.
- Never tighten in excess of 80 in. • lb (9 N.M.).
- Make sure that mounting screws are anchored into the center of the stud. The use of an "edge to edge" stud finder is highly recommended.
- Hardware provided is for attachment of mount through standard thickness drywall or plaster into wood studs. Installers are responsible to provide hardware for other types of mounting situations (not evaluated by UL).
- When installing Peerless wall mounts on a wood stud wall covered with gypsum board (drywall), verify that the wood studs are a minimum of 2"x4" nominal size. When installing to more than one stud, insure the spacing between studs is at least 16" but does not exceed 24". Do not install over gypsum board thicker than 5/8".

- 1 Use a stud finder to locate the edges of the stud. Use of an edge-to-edge stud finder is highly recommended. Based on their edges, draw a vertical line down the stud center. Place pull-out mount assembly (A) on wall as a template. Level plate, and mark the center of the four mounting holes. Make sure that the mounting holes are on the stud center line. Drill four 5/32" (4 mm) dia. holes 2-1/2" (65 mm) deep. Make sure that the pull-out mount assembly (A) is level, secure it using four #14 x 2.5" wood screws (E) and fender washers (G) as shown below.

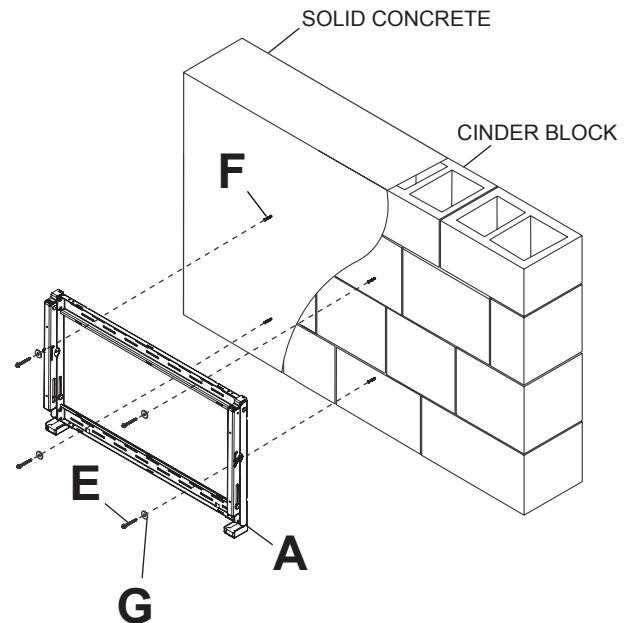


Installation to Solid Concrete or Cinder Block Wall

⚠ WARNING

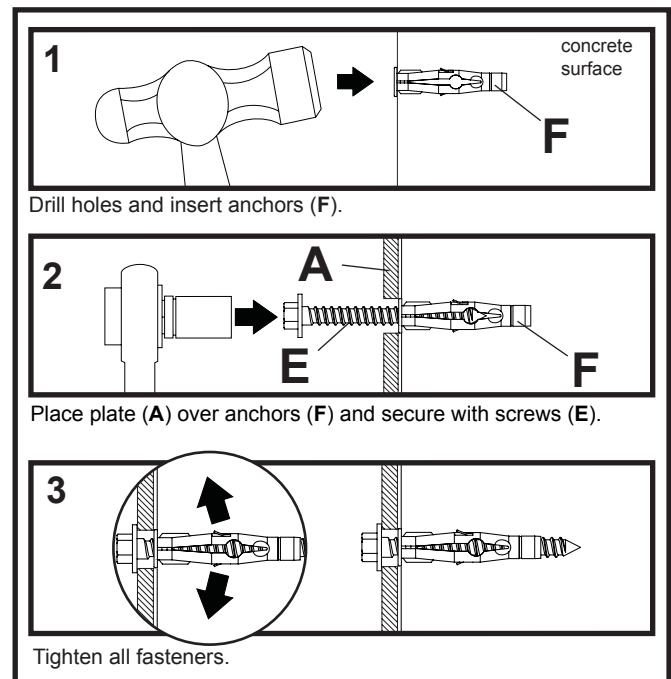
- When installing Peerless wall mounts on a concrete wall, the wall must be at least 8" thick with a minimum compressive strength of 2000 psi.
- When installing Peerless wall mounts on a cinder block wall, the cinder blocks must meet ASTM C-90 specifications and have a minimum nominal width of 8". Do not drill into mortar joints! Be sure to mount in a solid part of the block, generally 1" (25 mm) minimum from the side of the block. It is suggested that a standard electric drill on slow setting is used to drill the hole instead of a hammer drill to avoid breaking out the back of the hole when entering a void or cavity.
- Make sure that the wall will safely support four times the combined load of the equipment and all attached hardware and components.

- 1** **NOTE:** Make sure that there is a minimum of 16" horizontal distance between #14 x 2.5" screws (E). Make sure that pull-out mount assembly (A) is level, use it as a template to mark four mounting holes. Drill four 5/16" (8 mm) dia. holes to a minimum depth of 2.5" (64 mm). Insert anchors (F) in holes flush with wall as shown (right). Place pull-out mount assembly (A) over anchors and secure with four #14 x 2.5" screws (E), and fender washers (G). Level, then tighten all fasteners.



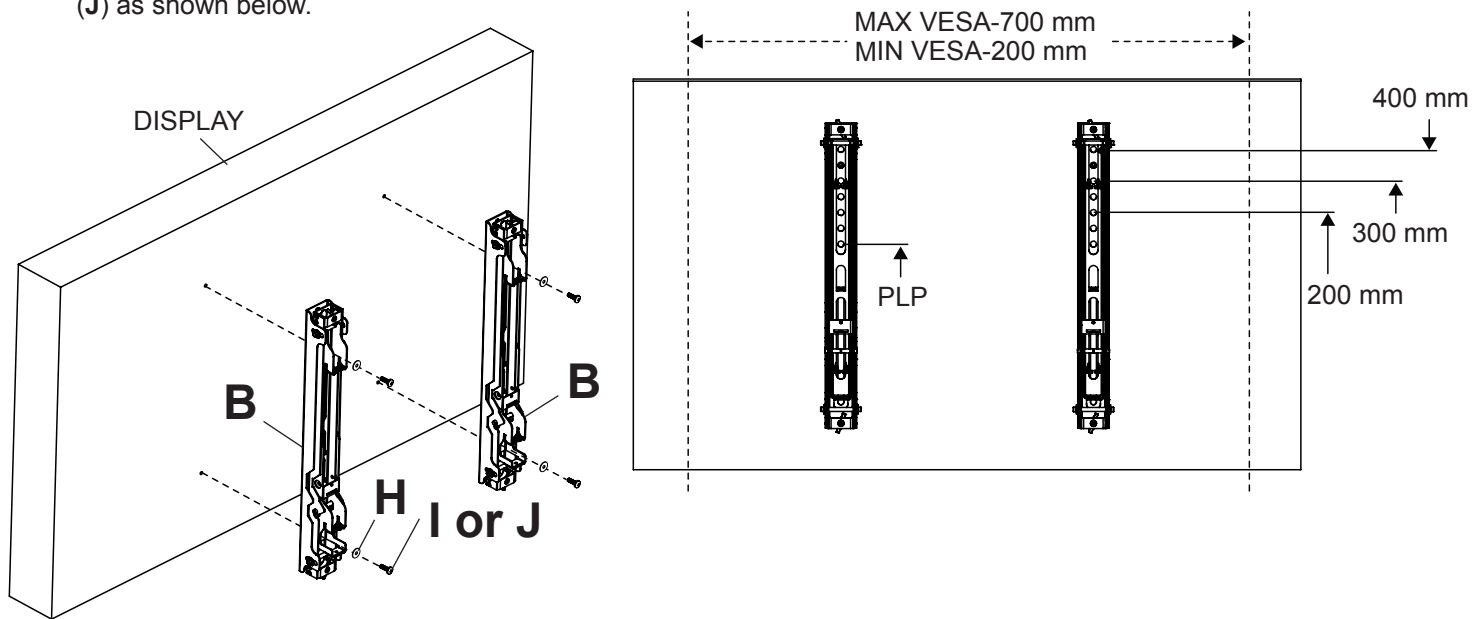
⚠ WARNING

- Tighten screws so that wall plate is firmly attached, but do not overtighten. Overtightening can damage screws, greatly reducing their holding power.
- Never tighten in excess of 80 in. • lb (9 N.M.).
- Always attach concrete expansion anchors directly to load-bearing concrete.
- Never attach concrete expansion anchors to concrete covered with plaster, drywall, or other finishing material.



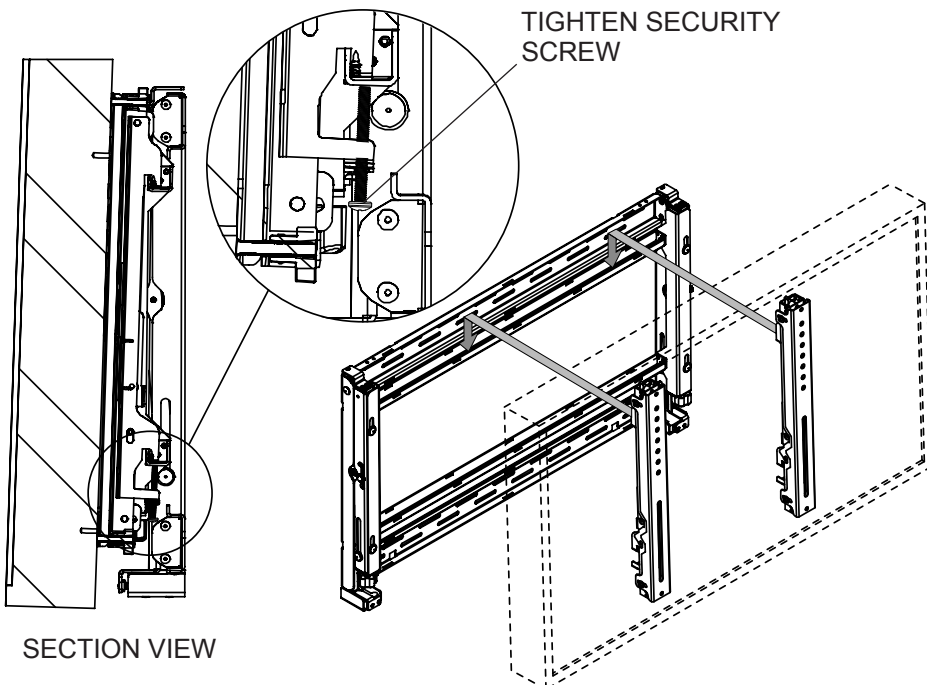
Attaching Adapter Brackets to Display

- 2** **NOTE:** Make sure to use largest hole pattern on back of display. Attach adapter brackets (**B**) to back of display using four M6 x 12 mm socket pin screws (**I**) with nylon shoulder washer (**H**), or four M8 x 15 mm socket pin screws (**J**) as shown below.



Attaching Display with Adapter Brackets to Pull-Out Mount Assembly

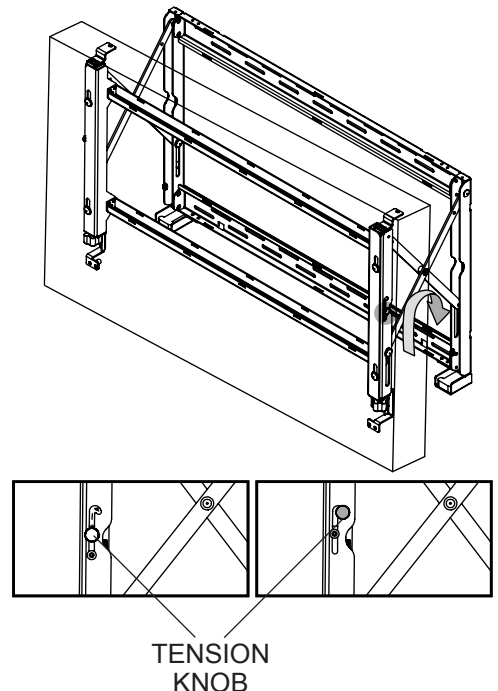
- 3** Attach adapter brackets (**B**) to pull-out mount assembly. Slide adapter brackets (**B**) into position. Loosely fasten in place using security screw as shown. **NOTE:** Once display is located in desired position (± 2 " from center), tighten security screws using 4mm allen wrench (**K**) to lock in place.



Optional: Additional Tension for Larger Displays

Heavier displays may need additional tension. Extend the mount then loosen tension knobs. Reposition knobs in slots. Tighten knobs to secure in place.

Note: Do not remove tension knobs.



Note: Do not remove tension knobs.

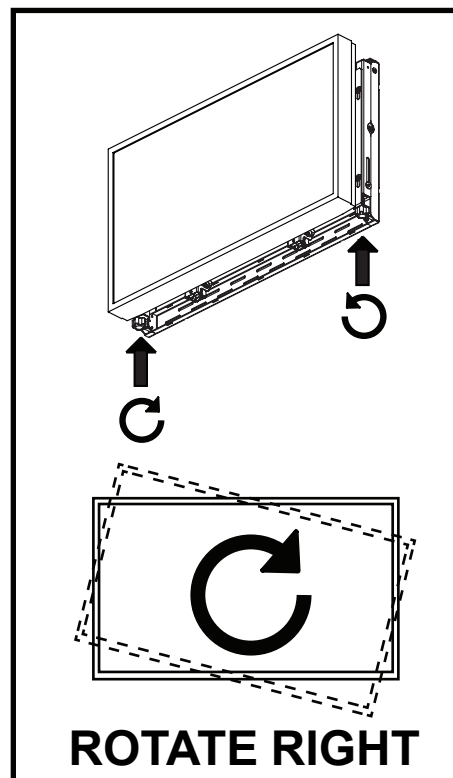
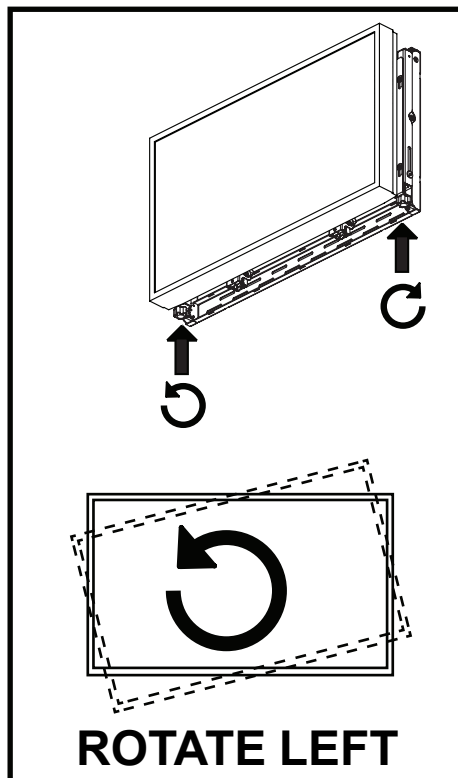
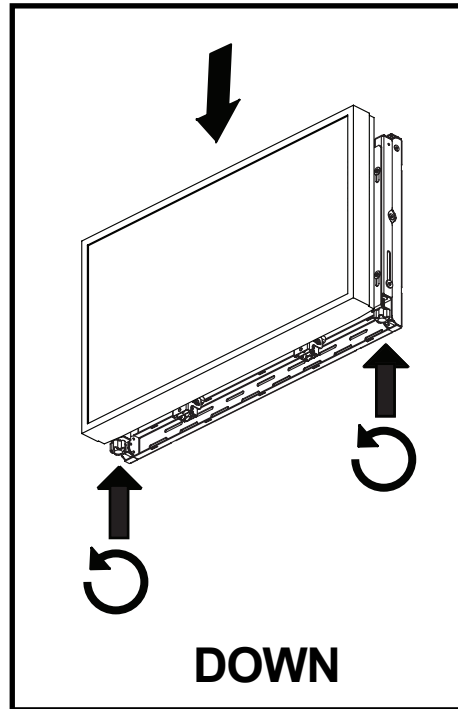
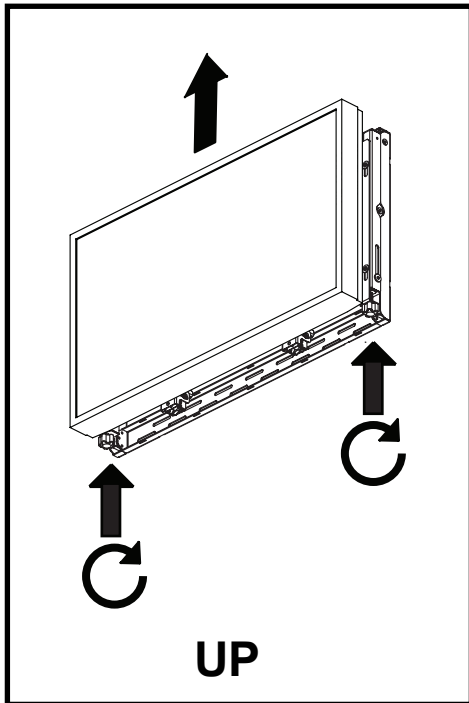
Display Adjustment

4 Use legend below to determine position of display.

NOTE: Each knob can be adjusted independently for fine tuning adjustments.

 Turn knob **CLOCKWISE** to raise side

 Turn knob **COUNTER-CLOCKWISE** to lower side



Display Adjustment

5 Use legend below to determine position of display.

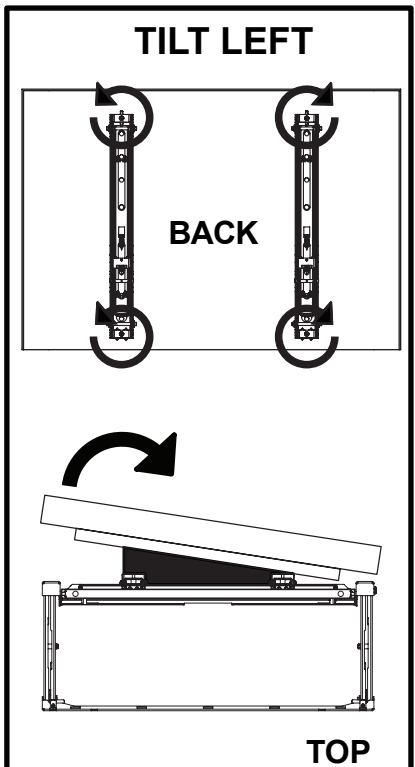
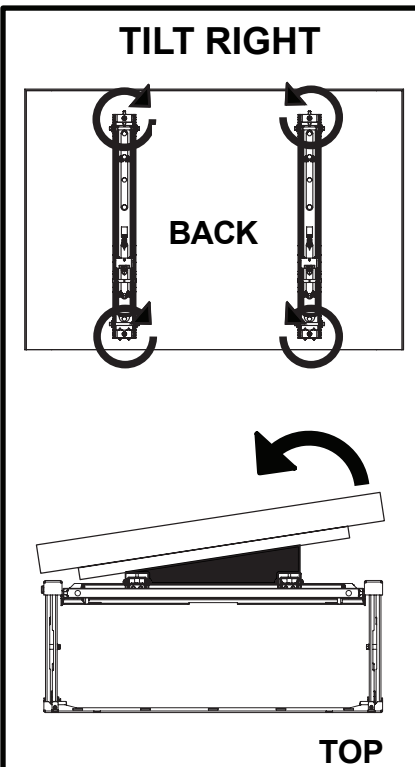
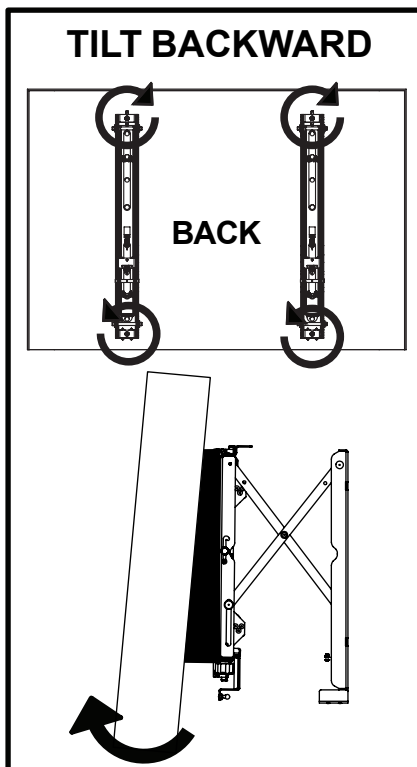
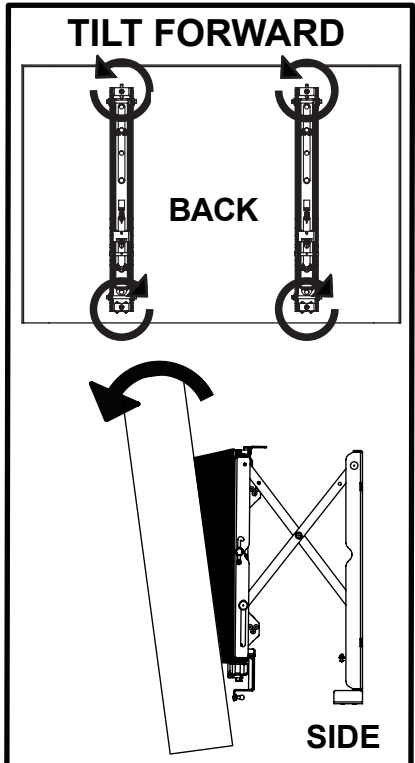
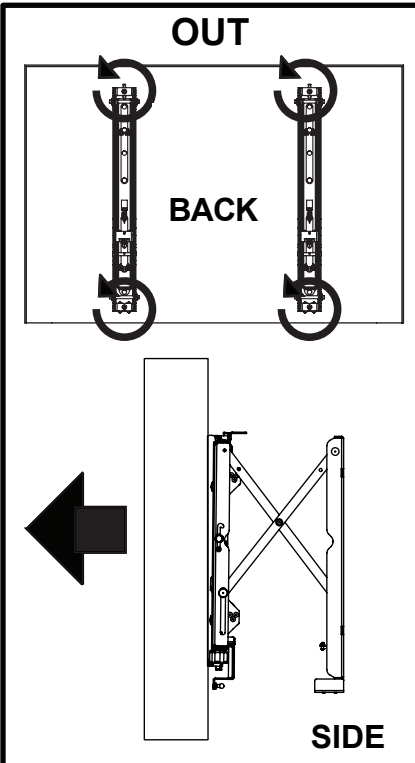
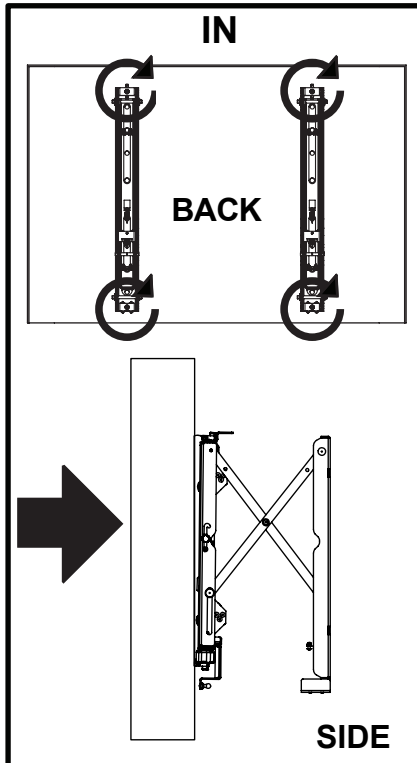
NOTE: Each knob can be adjusted independently for fine tuning adjustments.



Turn knob **CLOCKWISE** to move corner toward the wall



Turn knob **COUNTER-CLOCKWISE** to move corner away from the wall

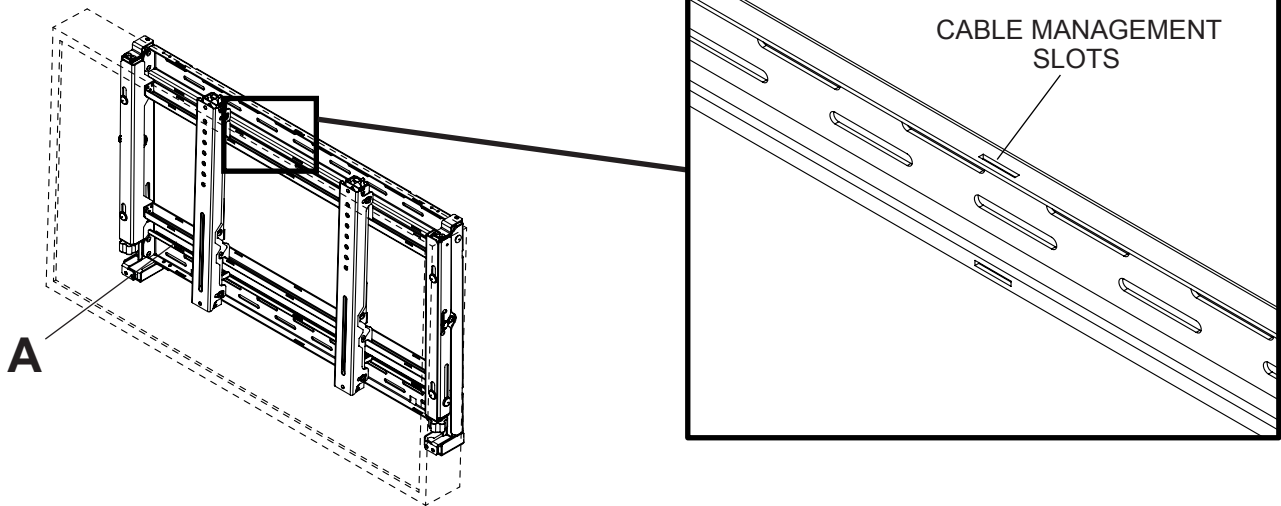


Cable Management

6 Display cables can be routed through top or bottom of pull-out mount assembly (A).

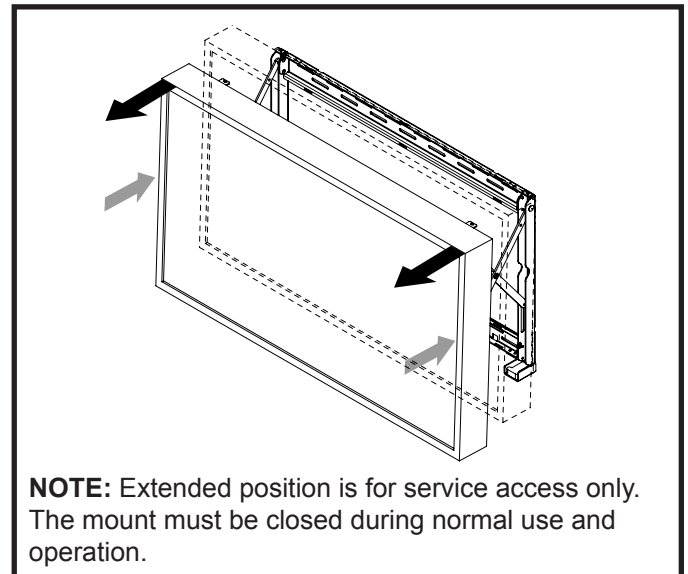
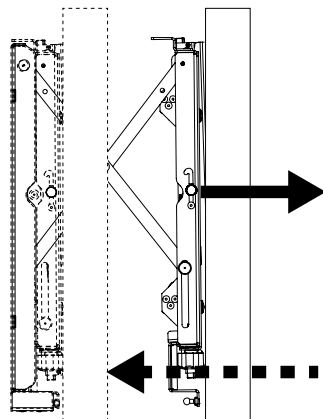
NOTE: Use mesh sleeve (M) and cable ties (L) for cable management.

NOTE: Cable ties and cable management slots on pull-out mount assembly (A) can be used to secure display cables.



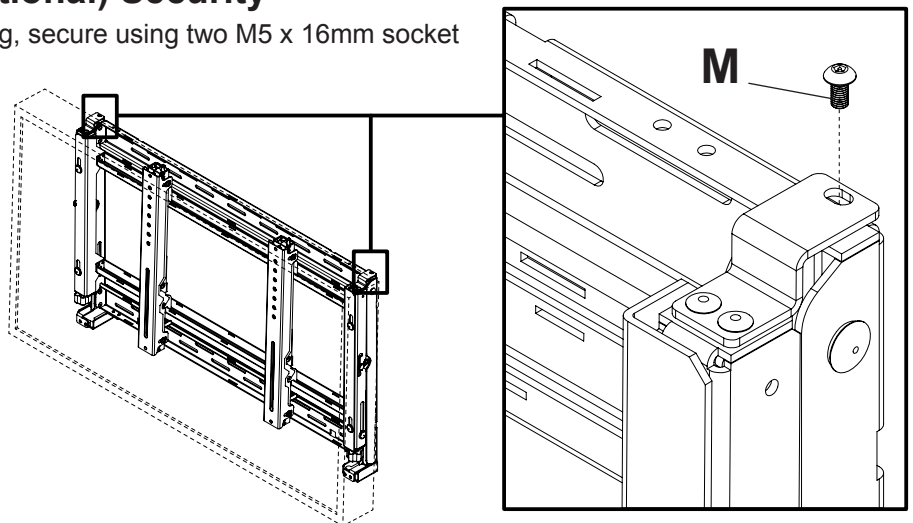
Open or Close Pull-Out Mount Assembly

7a Gently press on the sides of the display to engage the release mechanism to open and close the pull-out mount assembly (A).



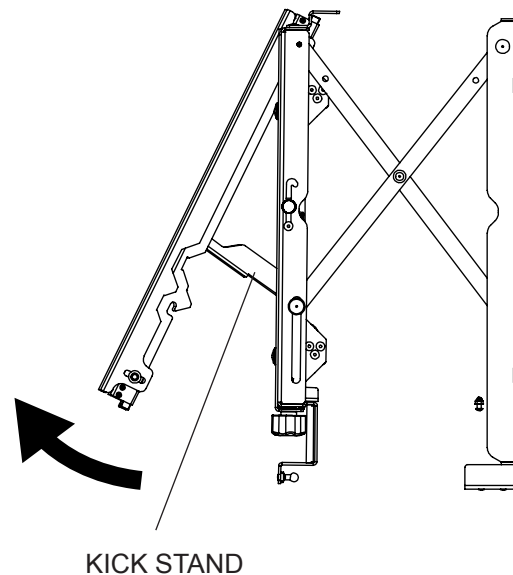
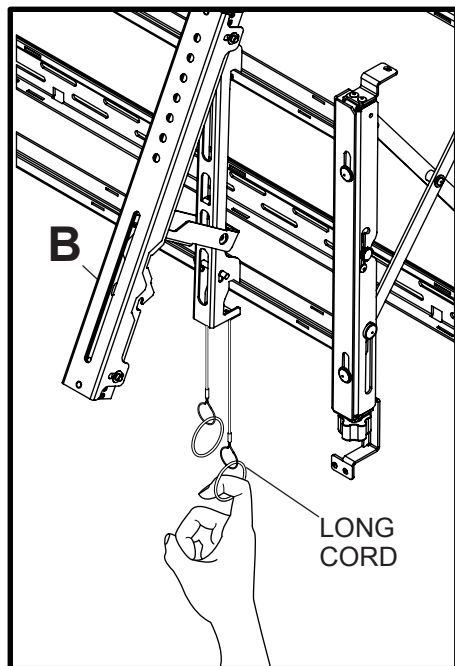
Pull-Out Mount Assembly (Optional) Security

7b To prevent locking tabs from releasing, secure using two M5 x 16mm socket pin screws (M).



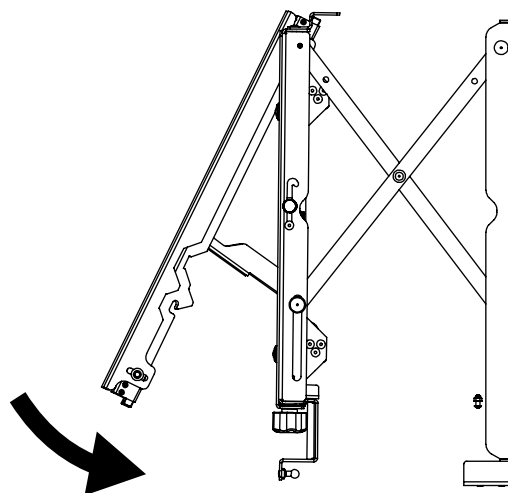
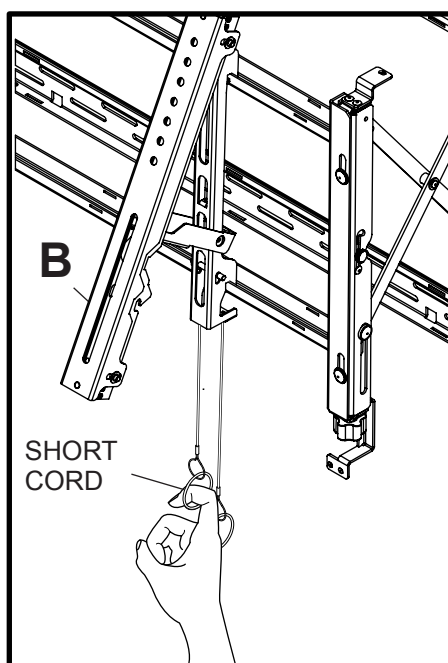
Open Adapter Brackets: Long Cords

- 8a** Open adapter brackets (**B**) by pulling down on the long cords while pulling bottom of display away from wall.
NOTE: Kick stand will automatically engage. Make sure kick stand is set in position before resting the display.
NOTE: Extended position is for **service access only**. The mount must be closed during normal use and operation.
NOTE: Display not shown for clarity.



Close Adapter Brackets: Short Cords

- 8b** Slightly pull display away from wall to release kick stand while pulling down on short cords.
NOTE: Once short cords are pulled, kick stand will disengage.
NOTE: Support the display until the adapter brackets (**B**) are engaged in the closed position.

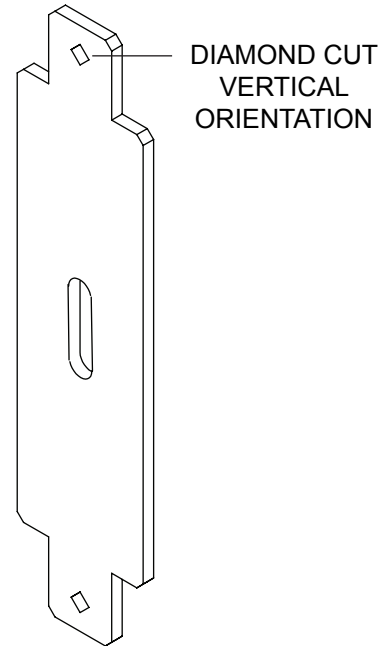
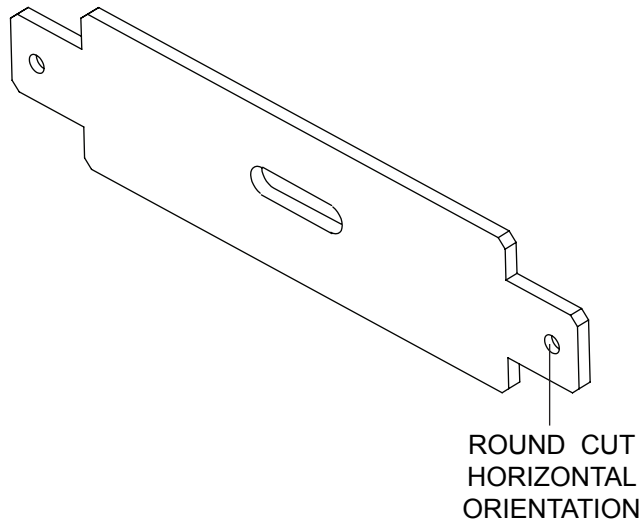


Optional for Multiple Displays: Installing Spacer Kit (Sold Separately)

Call customer care to assist with choosing the proper spacers for displays used.

- 9** Slide spacers into tab of mounted wall plate as shown. Keeping spacers flush against wall plate, fasten two #10 x 3/4" wood screws as shown. There must be two spacers placed on the same side as the additional wall plate. Align the tabs of the additional wall plate flush with the spacers. Follow main instruction for proper installation of additional wall plates.

NOTE: SUPPORTING SURFACE NOT SHOWN FOR CLARITY
WALL PLATE ASSEMBLIES MAY BE DIFFERENT
THAN ILLUSTRATED



NOTE: ADDITIONAL WALL PLATES SOLD SEPARATELY

