

DS-VW765-LQR



Display size
46"-65"



Max load
125lb (56.8kg)



Additional Features

- ✓ Quick release pop out mechanism provides convenient display access in recessed applications
- ✓ Quick release can be disabled with a locking screw to prevent unintentional pop-outs
- ✓ Carriage extension force can be adjusted to accommodate the weight of the display, allowing the quick release to activate with gentle force
- ✓ Modular mount for unlimited video wall display configurations
- ✓ Custom wall plate spacers eliminate the guesswork and on-site installation calculations
- ✓ Tool-less micro-adjustments at 8 points allows the mount to overcome uneven walls to create a seamless video wall display
- ✓ Pull-out/prop-open mechanism provides quick service access
- ✓ Integrated cable management tie-backs make display-to-display cabling simple

SMARTMOUNT.

Full-Service Video Wall Mount with Quick Release - Landscape

FOR 46" TO 65" DISPLAYS

Video walls should be easy to configure, quick to install, and a snap to maintain. The DS-VW765-LQR Full-Service Video Wall Mount with a Quick Release from Peerless-AV is designed for quick service access in recessed video wall applications. It provides versatility demanded by installers. With the quick-release functionality, users have the ability to articulate the display from the wall by gently pressing on the front of the display. The DS-VW765-LQR has a no-tool-required micro-adjustment feature and provides easy-access to any display, creating the ideal video wall. The custom wall plate spacers eliminate guesswork and on-site installation calculations and measurements, reducing installation time and cost. This innovative design, combined with a ready-to-install mount, makes this the fastest video wall installation. Loaded with time saving features, this Full-Service Video Mount is the ultimate video wall mounting solution.

The DS-VW765-LQR's pop-out mechanism provides easy-access and quick serviceability, so you can achieve a seamless video wall in no time.



**NO TEDIOUS CALCULATIONS
NO GUESSWORK**
Custom wall plate spacers eliminate the guesswork and on-site installation calculations

**NO TOOLS REQUIRED
FOR MICRO-ADJUSTMENT**
Simple, tool-less microadjustments at 8 points seamlessly align the displays

QUICK RELEASE MECHANISM
Provides convenient display access in recessed applications

**ADJUSTABLE CARRIAGE
EXTENSION FORCE**
Adjustable to the weight of the display, allowing the quick release to activate with gentle force



Full-service quick release access



Tool-less micro adjustments



Wall plate spacers (sold separately)



DS-VW765-LQR SmartMount® Full Service Video Wall Mount with Quick Release - Landscape for 46" -65" Displays

Product Specifications

	DIMENSIONS (W x H x D)	PRODUCT WEIGHT	LOAD CAPACITY	FINISH	AVAILABLE COLORS
DS-VW765-LQR	35.59" x 21.37" x 3.08"-3.83" (904 x 543 x 78-97mm)	35lb (15.9kg)	125lb (56.8kg)	Textured	Black

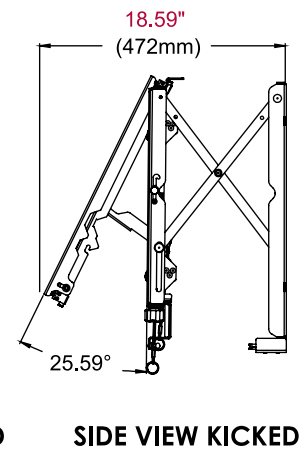
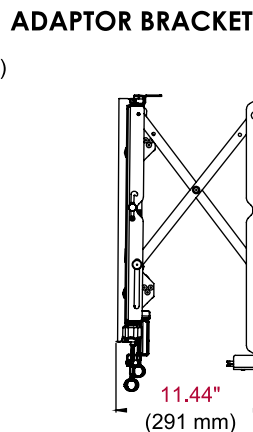
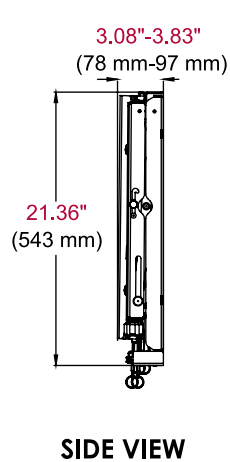
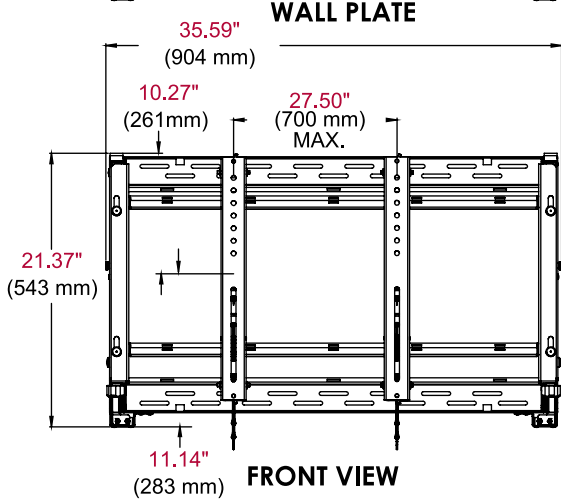
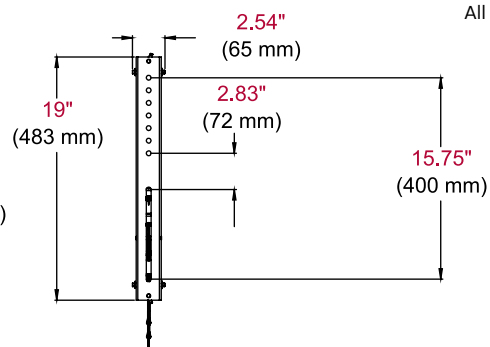
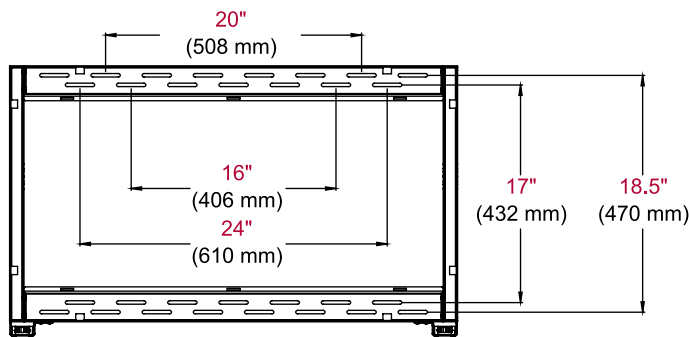
Package Specifications

	PACKAGE SIZE (W x H x D)	PACKAGE SHIP WEIGHT	PACKAGE UPC CODE	PACKAGE CONTENTS	UNITS IN PACKAGE
DS-VW765-LQR	36.25" x 23.25" x 4.75" (921 x 591 x 121mm)	39lb (17.6kg)	735029300847	Wall mount assembly, mounting attachment rails, fasteners	1

Accessories

DS-VWS###: Wall Plate Alignment Spacers

All dimensions = inch (mm)



Architect Specifications

The Smartmount® Full-Service Video Wall Mount with Quick Release - Landscape shall be a Peerless-AV model DS-VW765-LQR and shall be located where indicated on the plans. Assembly and installation shall be done according to instructions provided by the manufacturer.

Visit peerless-av.com to see the complete line of AV solutions from Peerless-AV, including outdoor displays, wireless, kiosks, digital audio, display mounts, projector mounts, carts/stands, and a full assortment of accessories.

Peerless-AV
2300 White Oak Circle
Aurora, IL 60502 USA
(800) 865-2112
(630) 375-5100
Fax: (800) 359-6500

Peerless-AV Europe
Unit 3 Watford Interchange
Colonial Way, Watford
Herts, WD24 4WP
United Kingdom
+44 (0) 1923 200100
Fax: +44 (0) 1923 200101

Peerless-AV de México
Ave de las Industrias 413
Parque Industrial Escobedo
Escobedo, N.L.,
Mexico 66050
+52 (81) 8384-8300
Fax: +52 (81) 8384-8360

