

Triple-Monitor Arm

ARMTRIO



*actual product may vary from photos

FR: Guide de l'utilisateur - fr.startech.com

DE: Bedienungsanleitung - de.startech.com

ES: Guía del usuario - es.startech.com

NL: Gebruiksaanwijzing - nl.startech.com

PT: Guia do usuário - pt.startech.com

IT: Guida per l'uso - it.startech.com

For the latest information, technical specifications, and support for this product, please visit www.StarTech.com/ARMTRIO.

Warning statements

Make sure to assemble this product according to the instructions. Failure to do so might result in personal injury or property damage.

Make sure that the weight of the monitor doesn't exceed the weight capacity of this product. If you exceed the weight capacity, you might experience personal injury or damage to the equipment. This product can support the following weight: 17.6 lb. (8 kg) per monitor mount.

Never operate this product if parts are missing or damaged.

Allowing any part of your component cables to get caught between moveable parts might result in personal injury or damage to your equipment.

Varningsmeddelanden

Se till att du monterar produkten i enlighet med instruktionerna. Om du inte gör det kan skada på person eller egendom uppstå.

Se till att skärmens vikt inte överstiger produktens viktkapacitet. Om viktkapaciteten överstigs kan skada på person eller utrustning uppstå. Denna produkt har stöd för följande vikter: 8 kg per skärm.

Använd aldrig produkten om delar saknas eller är skadade.

Om någon del av dina komponentkablar fastnar mellan rörliga delar kan skada på person eller utrustning uppstå.

Avertissements

Assemblez ce produit conformément aux instructions. Si vous ne respectez pas ces instructions, vous risquez de vous blesser ou d'endommager l'équipement.

Vérifiez que le poids du moniteur ne dépasse pas la capacité pondérale du produit. Si vous dépassez la capacité pondérale, vous risquez des blessures corporelles ou des dommages matériels. Ce produit peut supporter 8 kg par écran.

N'utilisez pas ce produit si des pièces sont endommagées ou manquantes.

Si les câbles des composants se coincent entre des parties mobiles, vous risquez des blessures corporelles ou des dommages matériels.

Warnhinweise

Montieren Sie dieses Produkt gemäß den Anweisungen. Anderenfalls kann dies zu Verletzungen von Personen oder Schäden an Eigentum führen.

Das Gewicht des Monitors darf die zulässige Traglast des Produkts nicht übersteigen. Wenn die Traglast überschritten wird, kann dies zu Verletzungen von Personen oder Schäden an Geräten führen. Dieses Produkt ist für folgendes Gewicht geeignet: 8 kg pro Monitor.

Das Produkt darf nicht bedient werden, wenn Teile fehlen oder beschädigt sind.

Wenn sich Komponentenkabel in beweglichen Teilen verfangen, kann dies zu Verletzungen von Personen oder Schäden an Geräten führen.

Dichiarazioni di avvertenza

Assemblare il prodotto rispettando le istruzioni. Il mancato rispetto delle istruzioni potrebbe causare danni a persone o proprietà.

Verificare che il peso del monitor non superi la capacità di supporto del prodotto. In caso di superamento della capacità di supporto potrebbero verificarsi danni a persone o apparecchiature. Il prodotto è in grado di supportare i seguenti pesi: 8 kg per monitor.

Non utilizzare il prodotto in presenza di parti mancanti o danneggiate.

Eventuale intrappolamento dei cavi del componente fra elementi in movimento potrebbe causare danni a persone o apparecchiature.

Mensagens de aviso

Certifique-se de que monta este produto de acordo com as instruções. O incumprimento pode resultar em ferimentos pessoais ou danos de propriedade.

Certifique-se de que o peso do monitor não excede a capacidade de peso deste produto. Se exceder a capacidade de peso, pode sofrer ferimentos pessoais ou danos no equipamento. Este produto pode suportar o seguinte peso: 8 kg por monitor.

Nunca opere este produto se faltarem peças ou estas estiverem danificadas.

As permissão que qualquer parte dos cabos do seu componente fique preso entre partes móveis, pode resultar em ferimentos pessoais ou danos no seu equipamento.

Advertencias de uso

Asegúrese de ensamblar este producto según las instrucciones. De lo contrario, pueden producirse lesiones personales o daños de propiedad.

Asegúrese de que el peso del monitor no exceda la capacidad de carga de este producto. Si se excede dicha capacidad se podrían producirse lesiones personales o daños al equipo. Este producto tiene capacidad para el siguiente peso: 8 kg por monitor.

Nunca opere o ponga en funcionamiento este producto si faltan piezas o hay daños en las mismas.

En caso de que los cables de su componente queden atascados en piezas en movimiento se pueden producir lesiones personales o daños en el equipo.

Waarschuwingen

Zorg dat dit product volgens de instructies in elkaar wordt gezet. Indien dit niet goed gebeurt kan lichamelijk letsel of materiële schade ontstaan.

Zorg dat het gewicht van het scherm de maximale capaciteit van dit product niet overschrijdt. Als u de gewichtscapaciteit overschrijdt, kan persoonlijk letsel of schade aan de apparatuur ontstaan. Dit product ondersteunt het volgende gewicht: 8 kg per monitor.

Gebruik dit product nooit als er onderdelen ontbreken of beschadigd zijn.

Als uw componentkabels tussen bewegende delen vast komen te zitten, kan dit lichamelijk letsel of schade aan de apparatuur veroorzaken.

注意

必ず取扱説明書に従って本製品の組み立てを行って下さい。取り扱いを誤った場合に、傷害を負う恐れや物的損害が発生する恐れがあります。

取り付けるモニターの重量が、本製品で定められた最大積載重量を超えないようにして下さい。最大積載重量をオーバーした場合、傷害を負う恐れやモニターや本製品に損害が発生する恐れがあります。本製品は、モニター1台あたり8kgまで支持できます。

本製品で使用している部品の一部が紛失していたり損傷している状態で使用するものは絶対に止めて下さい。

ケーブルの一部が本製品の可動部に引っ掛かってしまった場合、傷害を負う恐れやモニターや本製品に損害が発生する恐れがあります。

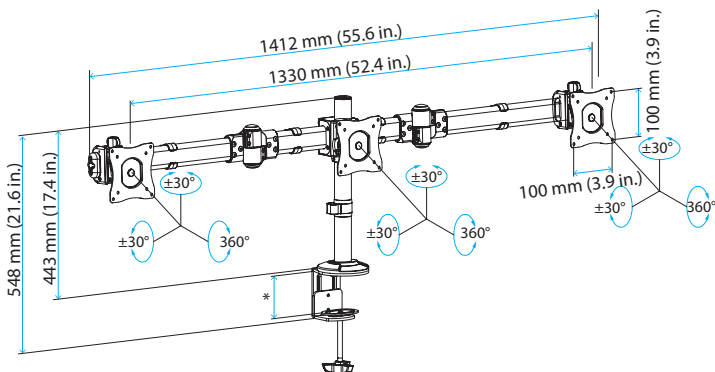
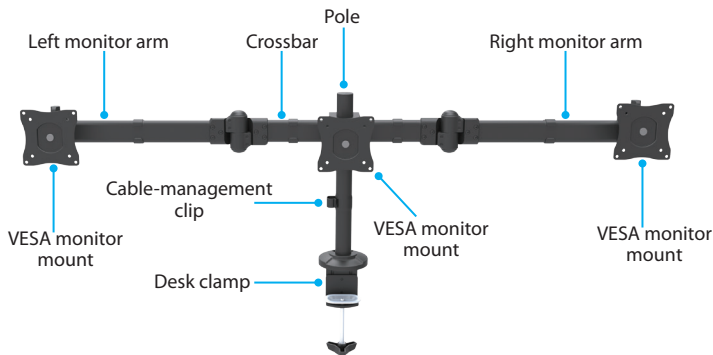
Table of Contents

| | |
|---|-----------|
| Warnings | i |
| Introduction | 1 |
| Product diagram..... | 1 |
| Technical specifications | 2 |
| Package contents..... | 3 |
| Requirements..... | 5 |
| Assembly | 6 |
| Attach the ARMTRIO to your mounting surface | 6 |
| Attach the VESA monitor mounts | 11 |
| Attach the monitors to the monitor arms..... | 13 |
| Attach the crossbar and monitor arms..... | 15 |
| Adjust the position of the monitors..... | 18 |
| Attach the cable-management clips..... | 21 |
| Technical support..... | 22 |
| Warranty information..... | 22 |

Introduction




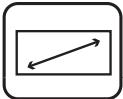
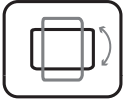

Use the ARMTRIO to mount three monitors, and use the cable-management clips to keep your cables organized. The pivoting arms on the ARMTRIO allow you to arrange your monitors in a “surround” setup and position the monitors in the way that works best for you.

Product diagram



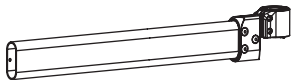
* min 10 mm (0.4 in.) - max 80 mm (3.1 in.)

Technical specifications

| Type of measurement | Measurement |
|---|--|
| VESA mounting hole pattern  | 75x75 100x100 |
| Weight capacity  | Up to 17.6 lb. (8 kg) per monitor mount |
| Tilt  | +30° to -30° |
| Screen size  | 330 to 686 mm (13 to 27 in.) |
| Rotate  | 360° |
| Swivel  | +30° to -30° |

Package contents

1



Left monitor arm

Qty: One

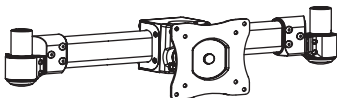
2



Right monitor arm

Qty: One

3



Crossbar

Qty: One

4



Arm caps

Qty: Two

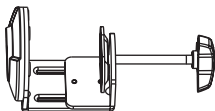
5



Pole

Qty: One

6



Desk clamp

Qty: One

7



Grommet collar

Qty: One

8



Grommet plate

Qty: One

9



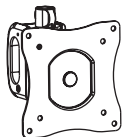
Rubber pads
Qty: Five

10



End caps
Qty: Two

11



VESA monitor mounts
Qty: Two

12



Cable-management clips
Qty: Four

13



Thumbscrews
Qty: Two

14



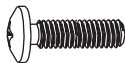
3 mm Allen key
Qty: One

15



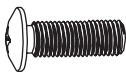
5 mm Allen key
Qty: One

16



M4x14 mm screws
Qty: Twelve

17



M5x14 mm screws

Qty: Twelve

18



Washers

Qty: Twelve

19



Instruction manual

Qty: One

Requirements

- Monitors or displays that are compatible with a VESA mount
- A Phillips screwdriver

Requirements are subject to change. For the latest requirements, please visit www.StarTech.com/ARMTRIO.

Assembly

Attach the ARMTRIO to your mounting surface

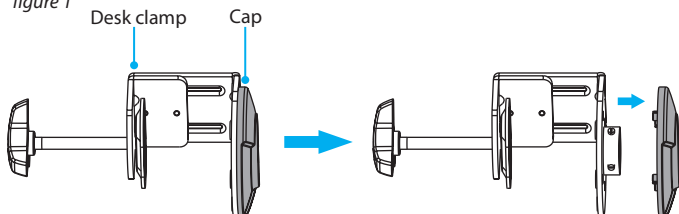
There are two ways that you can attach the ARMTRIO to your mounting surface: a desk clamp or a grommet mount. The desk clamp ships preassembled.

Use the desk clamp to attach the ARMTRIO

Warning! Make sure that the weight of the monitors doesn't exceed the weight capacity of this product. If you exceed the weight capacity, you might experience personal injury or damage to the product. This product can support the following weight: Up to 8 kg (17.6 lb.) per monitor mount, for a total of 24 kg (52.8 lb.).

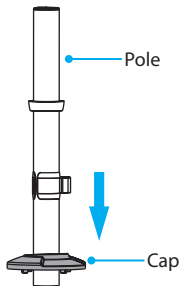
1. Remove the cap from the top of the **desk clamp** (6). (*figure 1*)

figure 1



2. Thread the **pole** (5) through the cap that you removed from the **desk clamp**. (*figure 2*)

figure 2



3. Screw the **pole** and cap into the top of the **desk clamp**. (*figure 3*)
4. Use the **3 mm Allen key (14)** to tighten the screws in the **desk clamp**. (*figure 4*)

figure 3

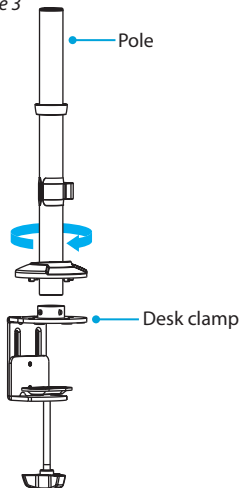
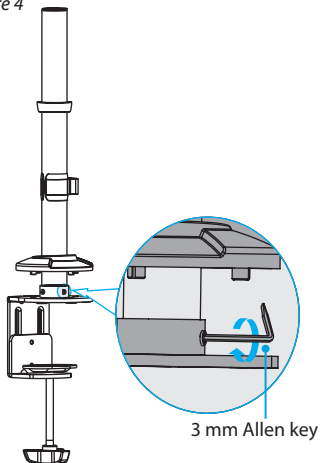
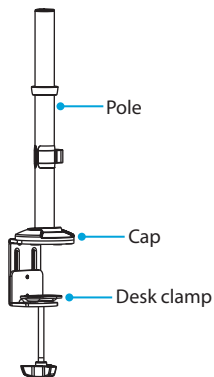


figure 4



5. Push down the **cap** so that it sits flush against the top of the **desk clamp**. (*figure 5*)

figure 5

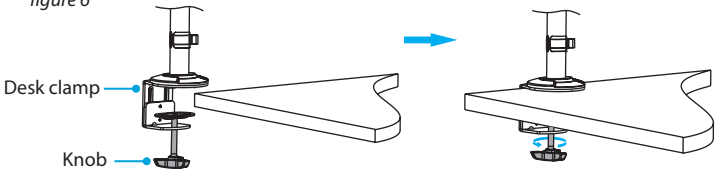


6. Remove the backing from the five **rubber pads** (9) and attach them underneath the top of the **desk clamp**.
7. Turn the knob on the **desk clamp** counterclockwise until you reach the thickness of the desk or table that you're attaching the ARMTRIO to.

Note: The desk mount can accommodate a desk or table that's between 10 and 80 mm thick (0.4 and 3.1 in.).

8. Slide the **desk clamp** over the edge of the desk or table. (*figure 6*)
9. Turn the knob clockwise to tighten the **desk clamp**.

figure 6

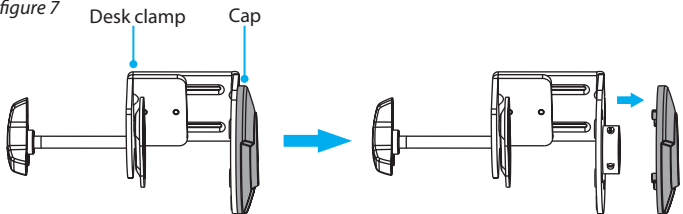


Use the grommet mount to attach the ARMTRIO

Warning! Make sure that the weight of the monitors doesn't exceed the weight capacity of this product. If you exceed the weight capacity, you might experience personal injury or damage to the product. This product can support the following weight: Up to 8 kg (17.6 lb.) per monitor mount, for a total of 24 kg (52.8 lb.).

1. Remove the cap from the top of the **desk clamp** (6). (*figure 7*)

figure 7

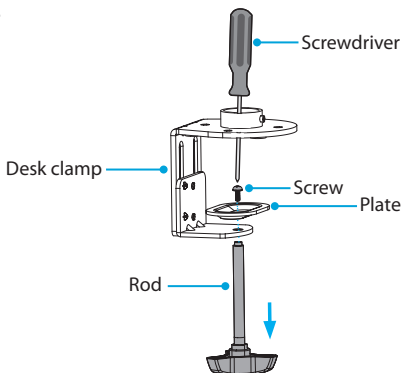


2. Thread a screwdriver through the top of the **desk clamp** and unscrew the screw and remove the washer and plate. (figure 8)

Tip! Keep the screw, washer, and plate in a safe place so that you can use them again if you want to switch back to the desk clamp.

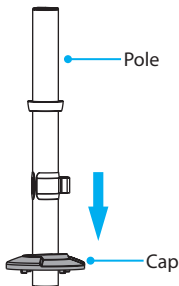
3. Remove the rod from the bottom of the **desk clamp**. (figure 8)

figure 8



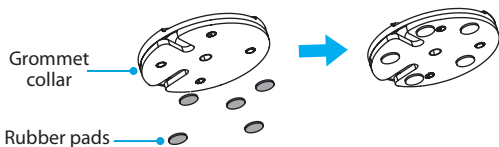
4. Thread the **pole** (5) through the cap that you removed from the desk clamp. (figure 9)

figure 9



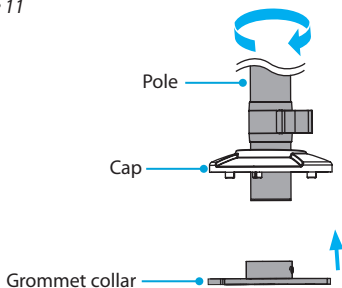
5. Remove the backing from the five **rubber pads** (9) and affix them to the bottom of the **grommet collar** (7). (figure 10)

figure 10



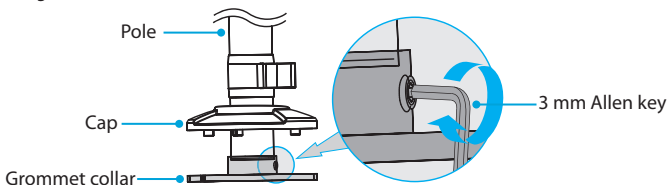
6. Screw the **pole** and **cap** into the top of the **grommet collar**. (figure 11)

figure 11



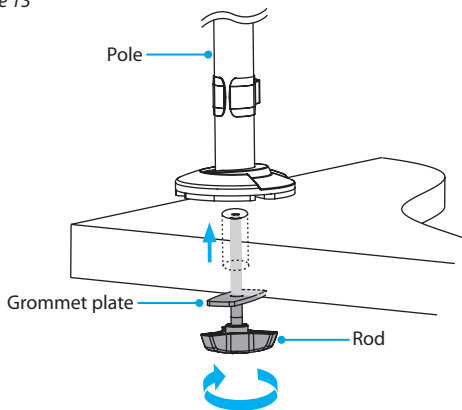
7. Use the **3 mm Allen key** (14) to tighten the screw in the **grommet collar**, and push down the cap so that it sits flush against the **grommet collar**. (figure 12)

figure 12



8. Thread the **grommet plate (8)** onto the rod.
9. Place the assembled **pole** and **grommet collar** over the grommet hole in your mounting surface, and on the underside of the mounting surface, thread the rod up through the grommet hole and into the **pole**.
10. Turn the knob clockwise to tighten the grommet mount. (*figure 13*)

figure 13



Attach the VESA monitor mounts

To accommodate different monitor designs, the ARMTRIO comes with two sets of screws that are different lengths and diameters.

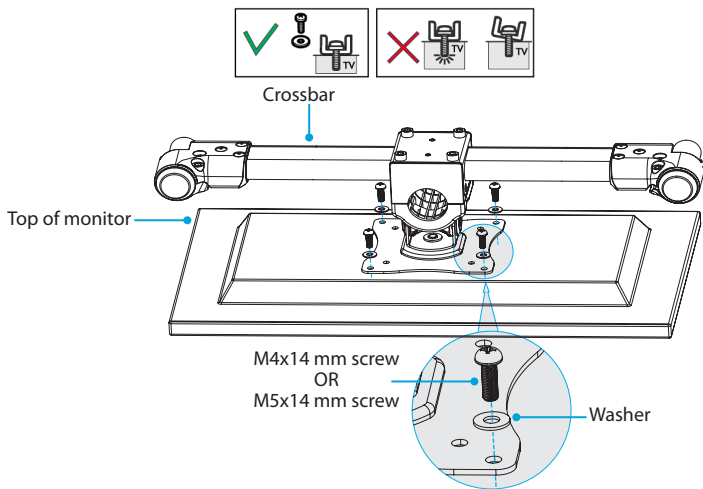
To select the appropriate screws for the type of monitors that you're using, complete the following:

- Determine whether the back of the monitors are flush or inset.
 - Determine the depth of the mounting holes on the monitors.
 - Determine the diameter of the mounting holes on the monitors.
1. Arrange the **crossbar (3)** so that the holes on the **VESA monitor mount (11)** line up with the mounting holes on the back of one of your monitors.
 2. Position four of the **washers (18)** over the holes on the **VESA monitor mount**.

3. Insert four of the **M4x14 mm screws (16)** or the **M5x14 mm screws (17)** through the washers, the VESA monitor mount, and into the monitor. (*figure 14*)
4. Tighten the screws.

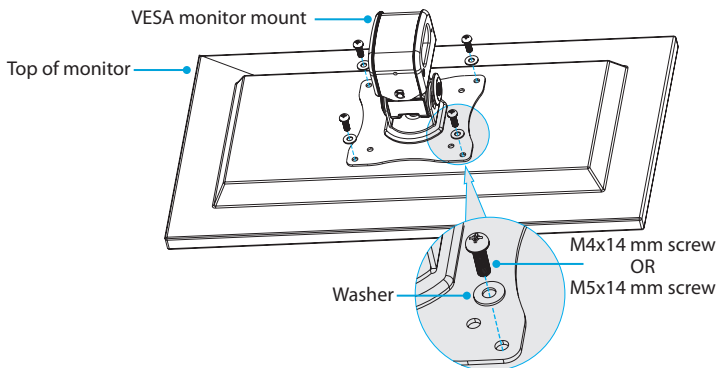
Warning! Do not over-tighten the screws, If you encounter resistance while you're tightening the screws, stop tightening. Failure to do so could result in damage to the monitor.

figure 14



5. Position one of the **VESA monitor mounts** over the mounting holes on the back of one of the monitors.
- Note:** Make sure to position the VESA monitor mount so that the adjustment screw on the mount is facing towards the top of the monitor.
6. Position four of the **washers** over the holes on the **VESA monitor mount**.
 7. Insert four of the **M4x14 mm screws** or the **M5x14 mm screws** through the washers, the **VESA monitor mount**, and into the monitor. (*figure 15*)
 8. Tighten the screws.
 9. Repeat steps 5 to 8 to attach the second **VESA monitor mount** to the third monitor.

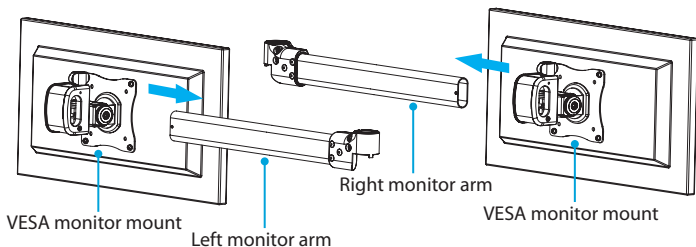
figure 15



Attach the monitors to the monitor arms

1. Slide the **left monitor arm** (1) through the **VESA monitor mount** (11) attached to one of the monitors.
2. Slide the **right monitor arm** (2) through the **VESA monitor mount** attached to the other monitor. (figure 16)

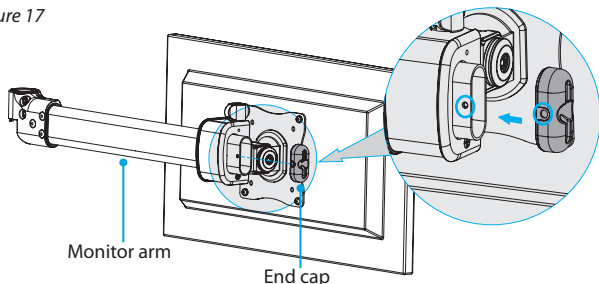
figure 16



3. Place an **end cap** (10) on the end of each of the monitor arms. (*figure 17*)

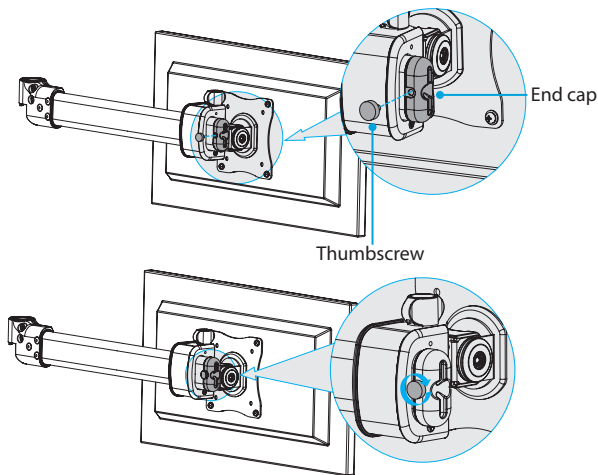
Note: Make sure that you line up the hole on the end cap with the corresponding hole on the end of the monitor arms.

figure 17



4. Insert a **thumbscrew** (13) through the hole in each of the end caps and into the monitor arms, and tighten the thumbscrews in place. (*figure 18*)

figure 18

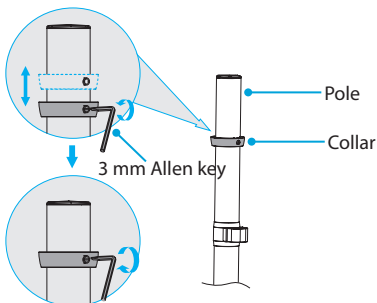


Attach the crossbar and monitor arms

Warning! Attaching the crossbar and monitor arms is a two-person job. Do not attempt to complete this task by yourself.

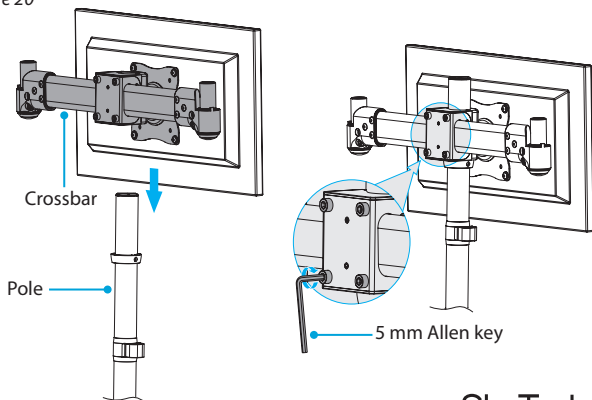
1. Use the **3 mm Allen key (14)** to loosen the screw in the collar on the **pole (5)**.
2. Slide the collar to the height that you want the monitors to sit at, and use the **3 mm Allen key** to tighten the screw in the collar. (figure 19)

figure 19



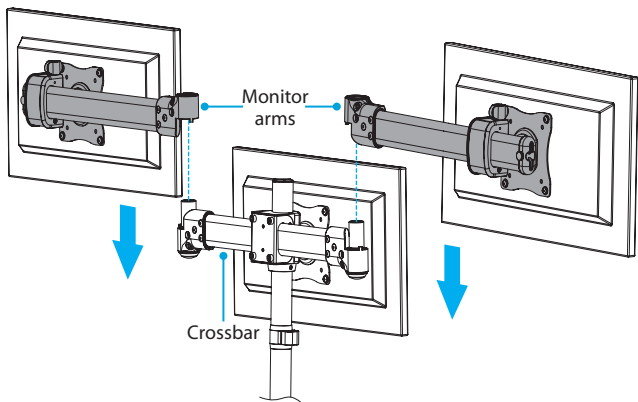
3. Carefully slide the **crossbar (3)** over the end of the pole so that it's sitting against the collar.
4. Use the **5 mm Allen key (15)** to tighten the four screws at the back of the crossbar. (figure 20)

figure 20



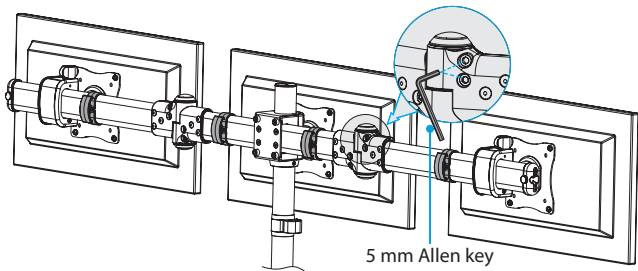
5. Carefully place the **left (2)** and **right monitor arms (3)** over the projections on each end of the crossbar. (figure 21)

figure 21



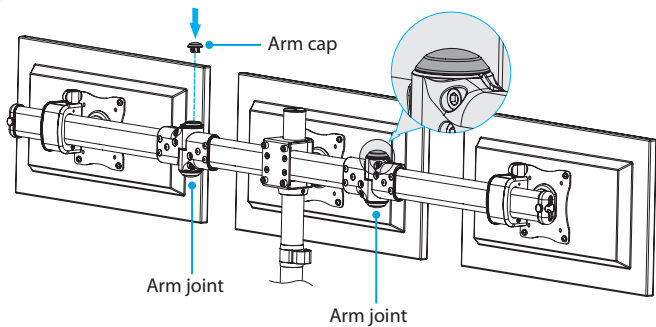
Note: When you assemble the ARMTRIO for the first time, you need to tighten the screws in the two monitor arm joints. Use the 5 mm Allen key to tighten the screws. (figure 22)

figure 22



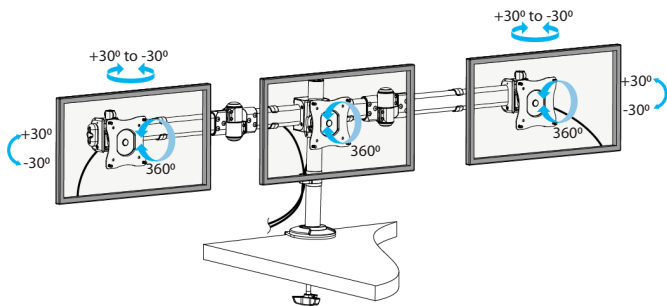
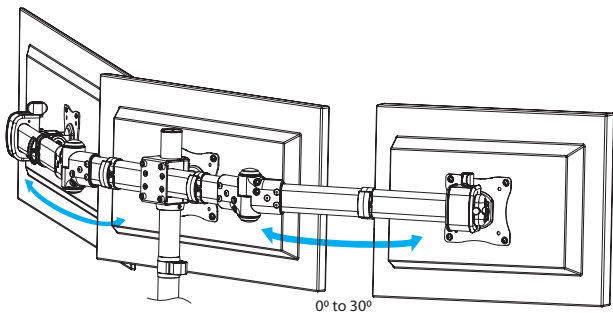
6. Place each of the **arm caps** (4) in the monitor arm joints. (figure 23)

figure 23



Adjust the position of the monitors

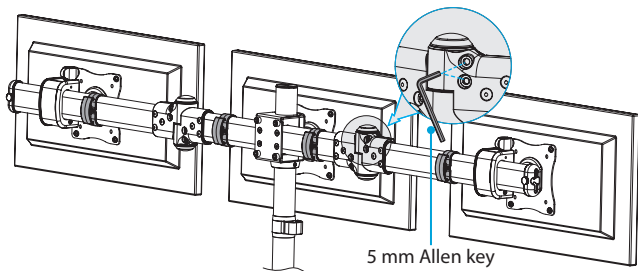
You can adjust the position and angle of your monitors in the following ways:



1. To position the monitors in the way that works best for your setup, complete any of the following:

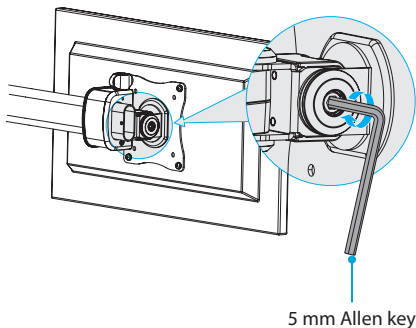
- To adjust the angle of the left and right monitor arms, use the **5 mm Allen key (15)** to loosen the two screws at each of the monitor arm joints. Position the monitors at the angle you want them in, and use the **5 mm Allen key** to tighten the screws and lock the monitors into position. (figure 24)

figure 24



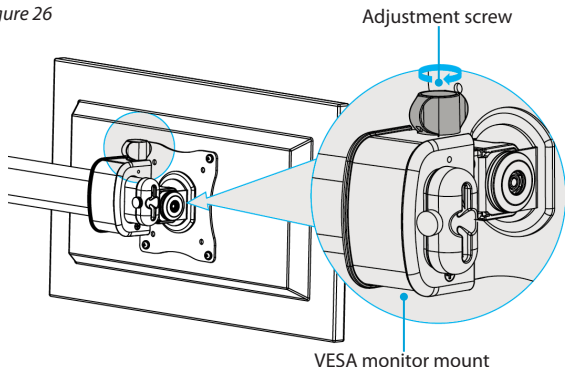
- To adjust the tilt angle of the left and right monitors, use the **5 mm Allen key (12)** to loosen the screw in the sides of the **VESA monitor mounts (11)**. Position the monitors at the angle you want them in, and use the **5 mm Allen key** to tighten the screws and lock the monitors into position. (figure 25)

figure 25



- To raise or lower the left and right monitors minutely, use the adjustment screws located on the top of the **VESA monitor mounts (11)**. (figure 26)

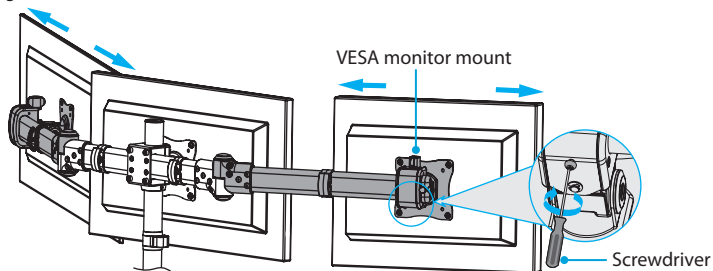
figure 26



- To move the monitors along the **monitor arms**, use a Phillips screwdriver (not provided) to loosen the screw located on the underside of each of the **VESA monitor mounts (11)**. Move the monitors left or right on the **monitor arms**, and tighten each of the screws when the monitors are in the locations that you want them in. (figure 27)

Warning! Make sure that you loosen the screw on the underside of the VESA monitor mounts before you move them along the monitor arms. If you move the VESA monitor mounts without loosening the screws, you might damage the surface of the monitor arms.

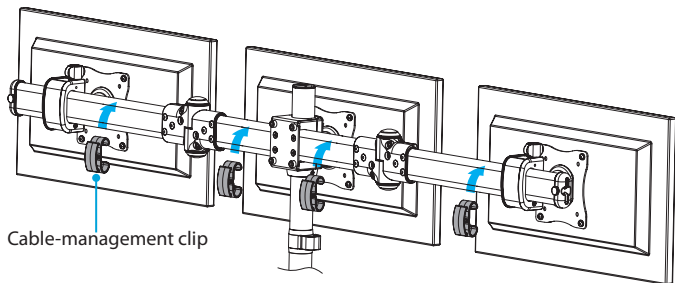
figure 27



Attach the cable-management clips

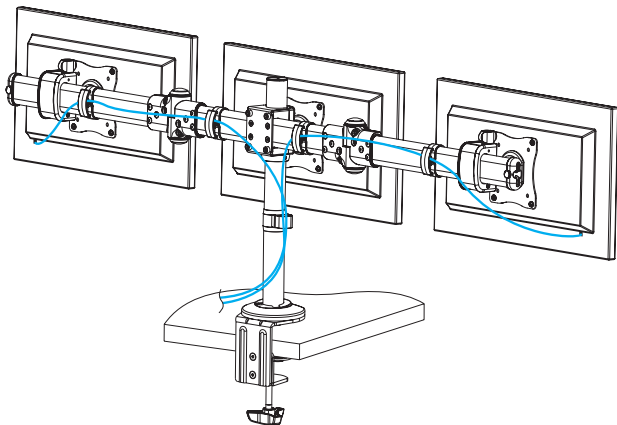
1. Snap the four **cable-management clips** (12) over both of the **monitor arms** and the **crossbar** (3). (figure 28)

figure 28



2. Route the monitor cables through the **cable-management clips** on the **monitor arms** and **crossbar**, down the **pole** (5), and through the cable-management clip on the pole. (figure 29)

figure 29



Technical support

StarTech.com's lifetime technical support is an integral part of our commitment to provide industry-leading solutions. If you ever need help with your product, visit www.startech.com/support and access our comprehensive selection of online tools, documentation, and downloads.

For the latest drivers/software, please visit www.startech.com/downloads

Warranty information

This product is backed by a five-year warranty.

StarTech.com warrants its products against defects in materials and workmanship for the periods noted, following the initial date of purchase. During this period, the products may be returned for repair, or replacement with equivalent products at our discretion. The warranty covers parts and labor costs only. StarTech.com does not warrant its products from defects or damages arising from misuse, abuse, alteration, or normal wear and tear.

Limitation of liability

In no event shall the liability of StarTech.com Ltd. and StarTech.com USA LLP (or their officers, directors, employees or agents) for any damages (whether direct or indirect, special, punitive, incidental, consequential, or otherwise), loss of profits, loss of business, or any pecuniary loss, arising out of or related to the use of the product exceed the actual price paid for the product. Some states do not allow the exclusion or limitation of incidental or consequential damages. If such laws apply, the limitations or exclusions contained in this statement may not apply to you.

Use of Trademarks, Registered Trademarks, and other Protected Names and Symbols

This manual may make reference to trademarks, registered trademarks, and other protected names and/or symbols of third-party companies not related in any way to StarTech.com. Where they occur these references are for illustrative purposes only and do not represent an endorsement of a product or service by StarTech.com, or an endorsement of the product(s) to which this manual applies by the third-party company in question. Regardless of any direct acknowledgement elsewhere in the body of this document, StarTech.com hereby acknowledges that all trademarks, registered trademarks, service marks, and other protected names and/or symbols contained in this manual and related documents are the property of their respective holders.

Hard-to-find made easy. At StarTech.com, that isn't a slogan. It's a promise.

StarTech.com is your one-stop source for every connectivity part you need. From the latest technology to legacy products — and all the parts that bridge the old and new — we can help you find the parts that connect your solutions.

We make it easy to locate the parts, and we quickly deliver them wherever they need to go. Just talk to one of our tech advisors or visit our website. You'll be connected to the products you need in no time.

Visit www.startech.com for complete information on all StarTech.com products and to access exclusive resources and time-saving tools.

StarTech.com is an ISO 9001 Registered manufacturer of connectivity and technology parts. StarTech.com was founded in 1985 and has operations in the United States, Canada, the United Kingdom and Taiwan servicing a worldwide market.