

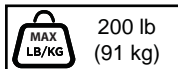
peerless-AV[®]

ACC-V900X

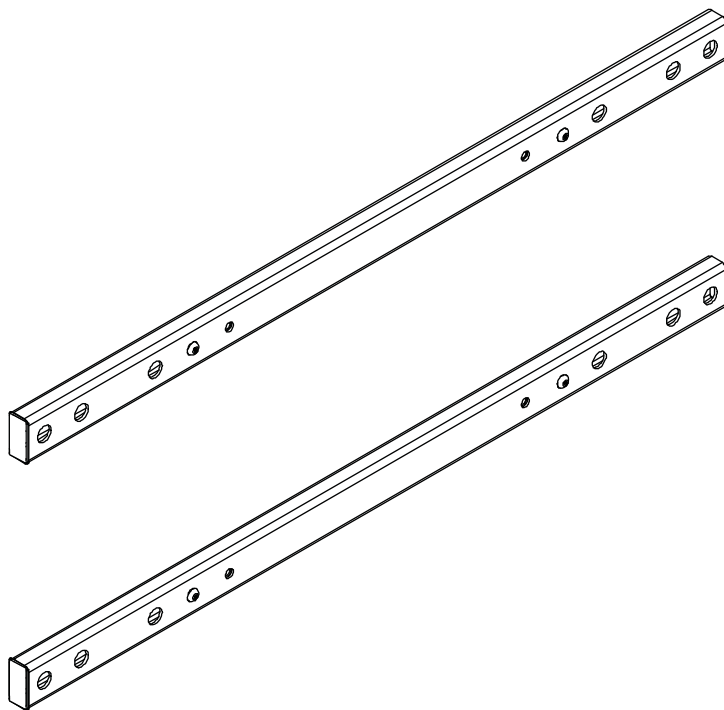
For VESA 600x400, 800x400, 900x400
Mounting Patterns Compatible with
Samsung ME95C and LG 98LS95A



98"
(250 cm)



200 lb
(91 kg)



ENG	Compatible model/series*	ST680, SF680, DS-VW795-QR DST995
-----	--------------------------	---



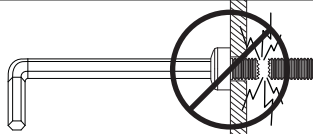
⚠ WARNING

ENG - Do not begin to install product until you have read and understood the instructions and warnings contained in this user guide. Always use an assistant or mechanical lifting equipment to safely lift and position equipment. Use of this product outdoors could lead to product failure or personal injury. Screws must be tightly secured. Do not overtighten screws or damage can occur and product may fail. Never exceed the Maximum Load Capacity. Be careful not to pinch fingers when operating the mount. For support please call customer care at 1-800-865-2112.

ENG Symbols



ENG WARNING



ENG Do not overtighten screws.



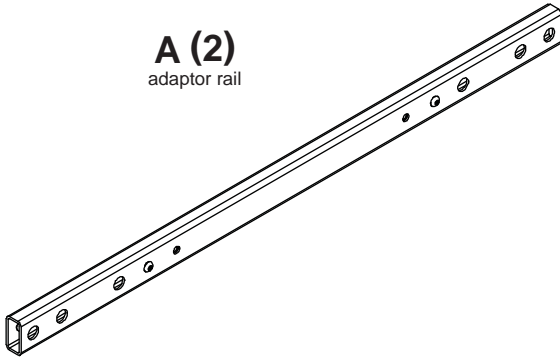
ENG Screws must get at least three full turns and fit snug.

Parts List

Description	Qty	Part #
A adaptor rail	2	202-1078
B M8 x 15mm socket pin bolt	4	520-1068
C allen wrench, 5/32" (4mm)	1	560-9646
D M8 x 20mm socket pin bolt	4	520-1120
E tube cap 2 x 1	4	590-1334

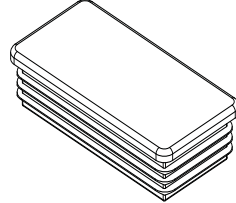
A (2)

adaptor rail



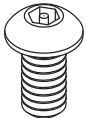
E (4)

tube cap



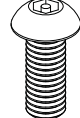
B (4)

M8 x 15mm



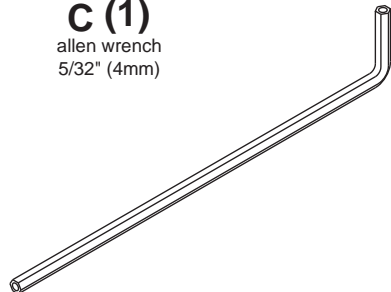
D (4)

M8 x 20mm

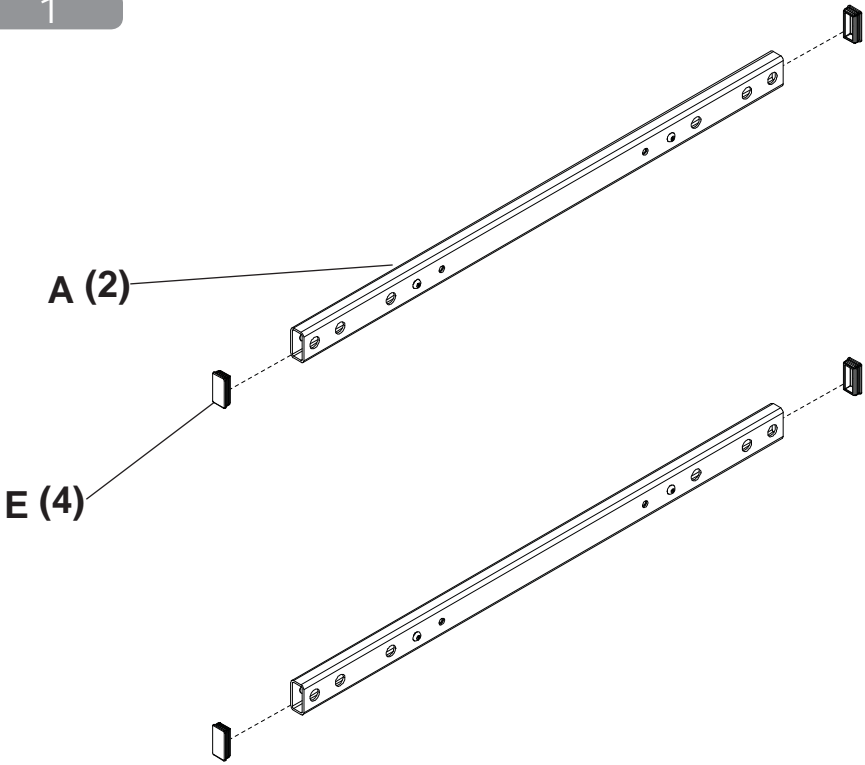


C (1)

allen wrench
5/32" (4mm)

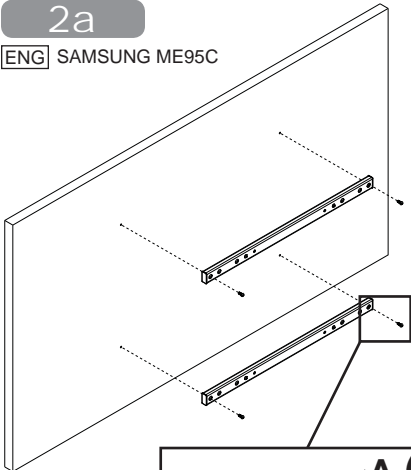


1



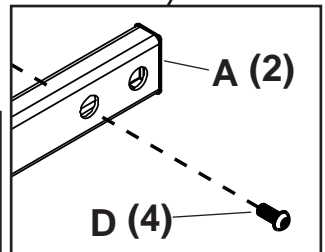
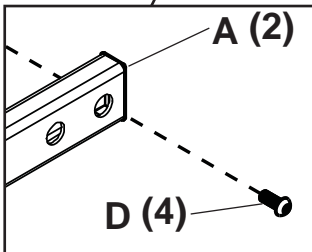
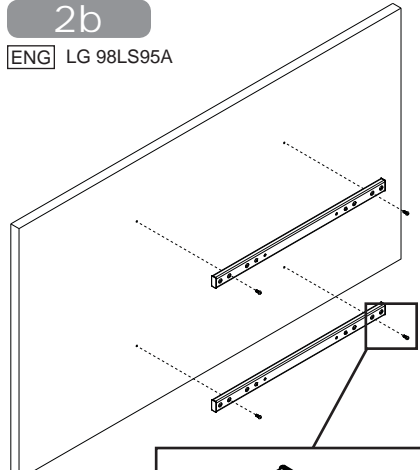
2a

ENG SAMSUNG ME95C



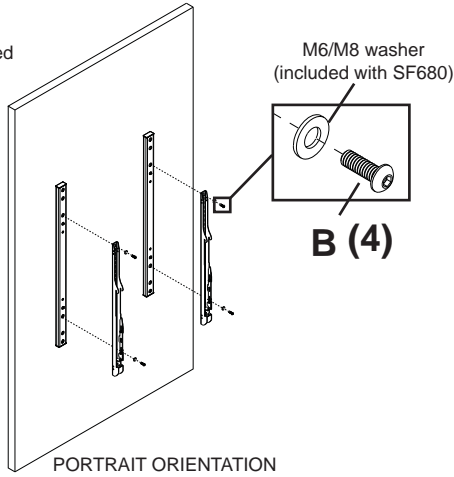
2b

ENG LG 98LS95A



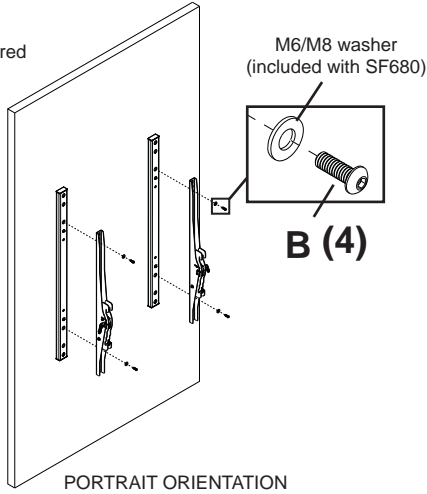
3a

ENG SF680: ACC-V900X not required for landscape orientation



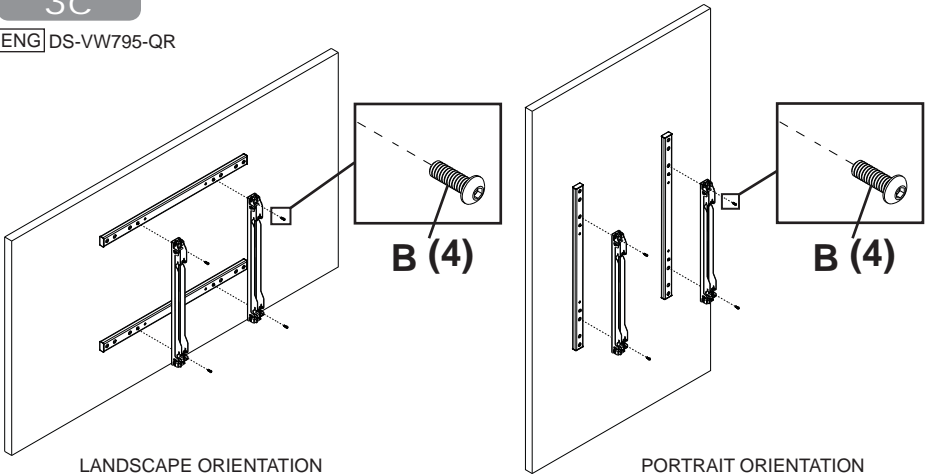
3b

ENG ST680: ACC-V900X not required for landscape orientation



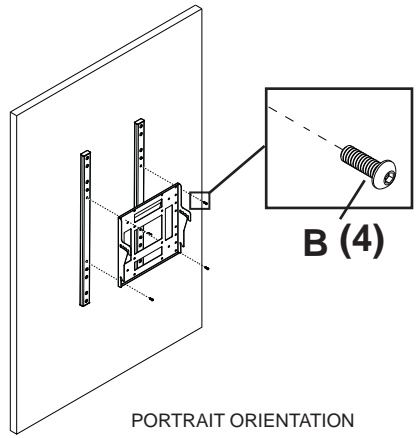
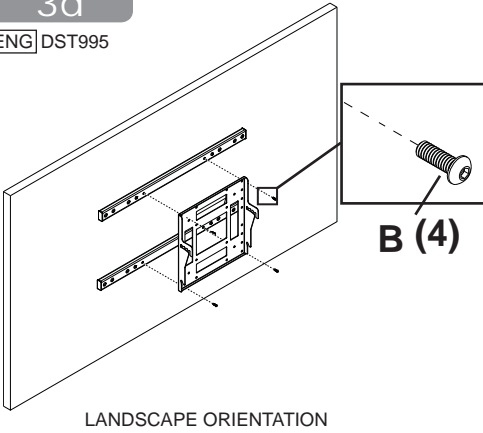
3c

ENG DS-VW795-QR



3d

ENG DST995



4

ENG Complete remaining install following instructions supplied with mount

ENG This page was intentionally left blank

ENG This page was intentionally left blank

LIMITED FIVE-YEAR WARRANTY

Peerless Industries, Inc. ("Peerless") warrants to original end-users of Peerless® products will be free from defects in material and workmanship, under normal use, for a period of five years from the date of purchase by the original end-user (but in no case longer than six years after the date of the product's manufacture). At its option, Peerless will repair or replace, or refund the purchase price of, any product which fails to conform with this warranty.

In no event shall the duration of any implied warranty of merchantability or fitness for a particular purpose be longer than the period of the applicable express warranty set forth above. Some states do not allow limitations on how long a implied warranty lasts, so the above limitation may not apply to you.

This warranty does not cover damage caused by (a) service or repairs by the customer or a person who is not authorized for such service or repairs by Peerless, (b) the failure to utilize proper packing when returning the product, (c) incorrect installation or the failure to follow Peerless' instructions or warnings when installing, using or storing the product, or (d) misuse or accident, in transit or otherwise, including in cases of third party actions and force majeure.

In no event shall Peerless be liable for incidental or consequential damages or damages arising from the theft of any product, whether or not secured by a security device which may be included with the Peerless® product. Some states do not allow the exclusion or limitation of incidental or consequential damages, so the above limitation or exclusion may not apply to you.

This warranty is in lieu of all other warranties, expressed or implied, and is the sole remedy with respect to product defects. No dealer, distributor, installer or other person is authorized to modify or extend this Limited Warranty or impose any obligation on Peerless in connection with the sale of any Peerless® product.

This warranty gives specific legal rights, and you may also have other rights which vary from state to state.

The logo for Peerless-AV features the word "peerless" in a bold, lowercase, red sans-serif font. To its right, the letters "AV" are rendered in a red outline font, with a registered trademark symbol (®) to the upper right of the "V".

Peerless-AV
2300 White Oak Circle
Aurora, IL 60502
Email: tech@peerlessmounts.com
Ph: (800) 865-2112
Fax: (800) 359-6500
www.peerless-av.com

© 2015, Peerless Industries, Inc.

Peerless-AV Europe
Unit 3 Watford Interchange,
Colonial Way, Watford, Herts,
WD24 4WP, United Kingdom
Customer Care
44 (0) 1923 200 100
www.peerless-av.com

© 2015, Peerless Industries, Inc.

Peerless-AV de Mexico
Ave de las Industrias 413
Parque Industrial Escobedo
Escobedo N.L Mexico 66050
Servicio al Cliente
01-800-849-65-77
www.peerless-av.com

© 2015, Peerless Industries, Inc.