

PT640

# Universal Tilt Wall Mount for 23" to 46" Flat Panel Screens

Easily install mid-size screens with this simple, intuitive mounting solution. Its three step installation combined with its tool-less, one-touch tilt angle adjustment enables flat panel screens to be installed and adjusted fast.



Screen size: 23"-46"



Max load: 150lb (58kg)

## FEATURES

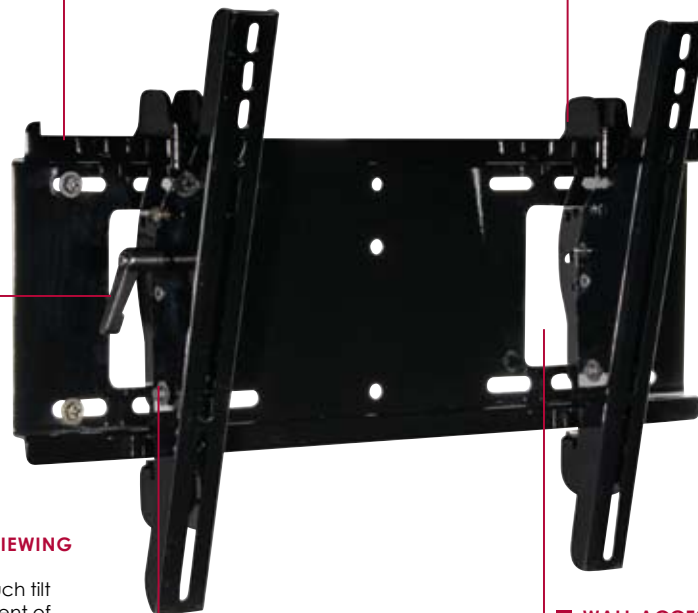
- Universal mount accommodates screens with mounting hole patterns up to 17.5" W x 12.94" H (446 x 329mm)
- Adjustable 15° forward tilt and -5° backward tilt for finding the optimal viewing angle
- Easy-grip handle locks the screen position into place
- Optional IncreLok™ feature offers fixed tilt angles of -5°, 0°, 5°, 10°, 15°
- Easy-glide brackets easily hook onto wall plate for a simple, safe and quick installation hardware
- Horizontal screen adjustment of up to 6" (152mm) (depending on screen model) for perfect screen placement
- Mounts to wood studs, concrete, cinder block or metal studs (metal stud accessory required)
- Comes with Peerless' Sorted-for-You™ fastener pack with all necessary screen attachment hardware
- UL listed

### VIEWING FLEXIBILITY

Horizontal screen adjustment up to 6" (152mm)

### EASY INSTALLATION

Simple hook-on design makes installation quick and easy



### IDEAL VIEWING ANGLE

One-touch tilt adjustment of +15/-5°

### WALL ACCESS

Wall plate access for access to electrical outlets and cable management

### VIEWING ANGLE LOCK OPTION

Optional angle lock in 5° increments



One-touch tilt adjustment of +15/-5°



<b>PT640</b>	Universal Tilt Wall Mount for 23" to 46" Flat Panel Screens
--------------	---

Product Specifications

	<b>DIMENSIONS (W x H x D)</b>	<b>PRODUCT WEIGHT</b>	<b>LOAD CAPACITY</b>	<b>FINISH</b>	<b>AVAILABLE COLORS</b>
<b>PT640</b>	19.25" x 13.75" x 2.5" (489 x 349 x 64mm)	6.6lb (3kg)	150lb (68kg)	Scratch resistant fused epoxy	Gloss black

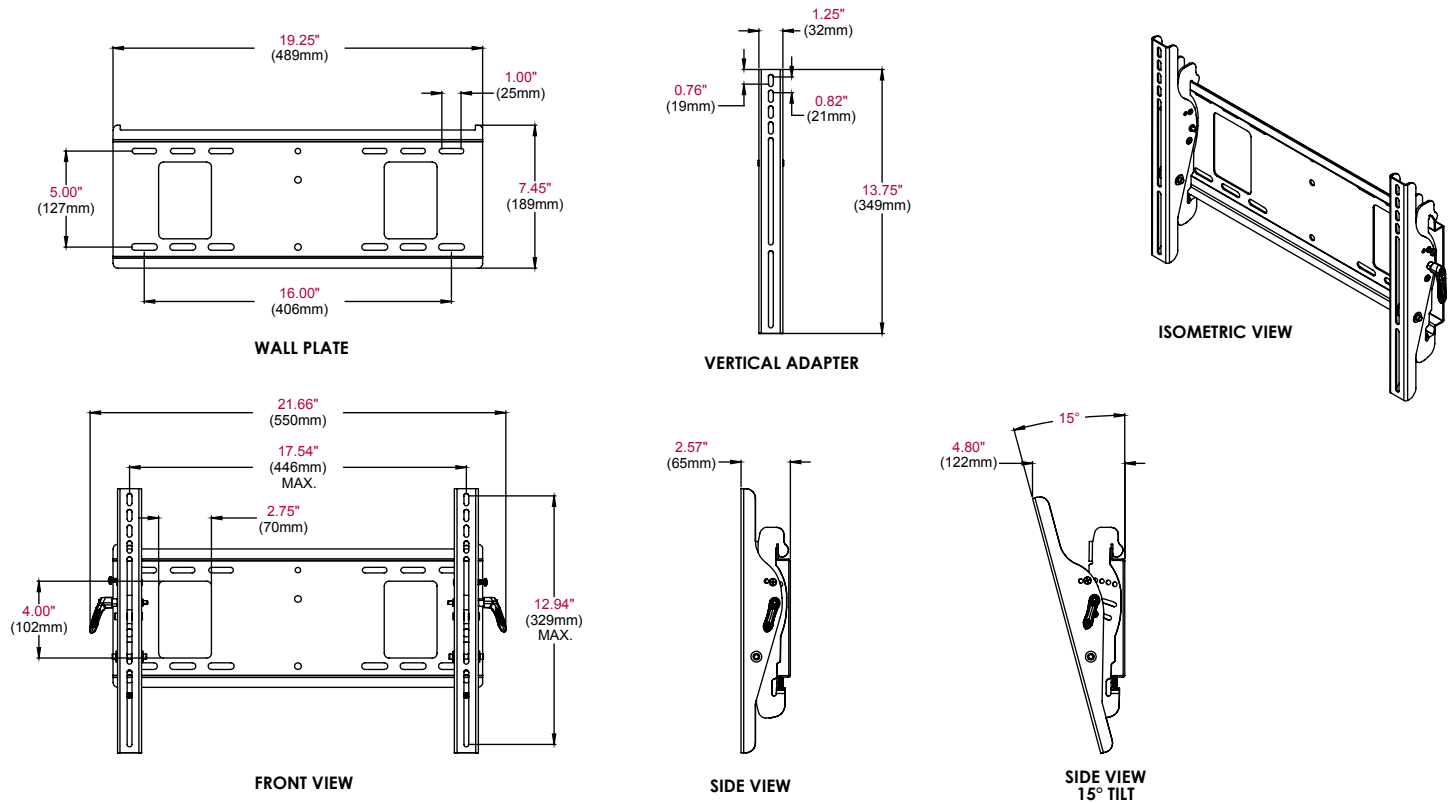
Package Specifications

	<b>PACKAGE SIZE (W x H x D)</b>	<b>PACKAGE SHIP WEIGHT</b>	<b>PACKAGE UPC CODE</b>	<b>PACKAGE CONTENTS</b>	<b>UNITS IN PACKAGE</b>
<b>PT640</b>	20.25" x 8.5" x 3.88" (514 x 216 x 99mm)	8lb (3.62kg)	735029254874	Wall plate, universal adapters, mounting and screen attachment hardware	1

Accessories

- ACC925:** Security Fasteners
- ACC415:** 4-pack Metal Stud Fastener Kit

All dimensions = inch (mm)



ARCHITECTS SPECIFICATIONS

The Universal Tilt Wall Mount shall be a Peerless model PT640 and shall be located where indicated on the plans. It shall be constructed of heavy gauge cold rolled steel and finished with scratch resistant Black Fused Epoxy. Assembly and installation shall be done according to instructions provided by the manufacturer.