

PF640

Universal Flat Wall Mount for 23" to 46" Flat Panel Screens

Create a sleek and stylish flat panel installation with this easy to install low-profile flat wall mount. Its design is simple and intuitive to use, just attach the wall plate, attach the screen adapters to the flat panel and hook onto the wall plate, done.



FEATURES

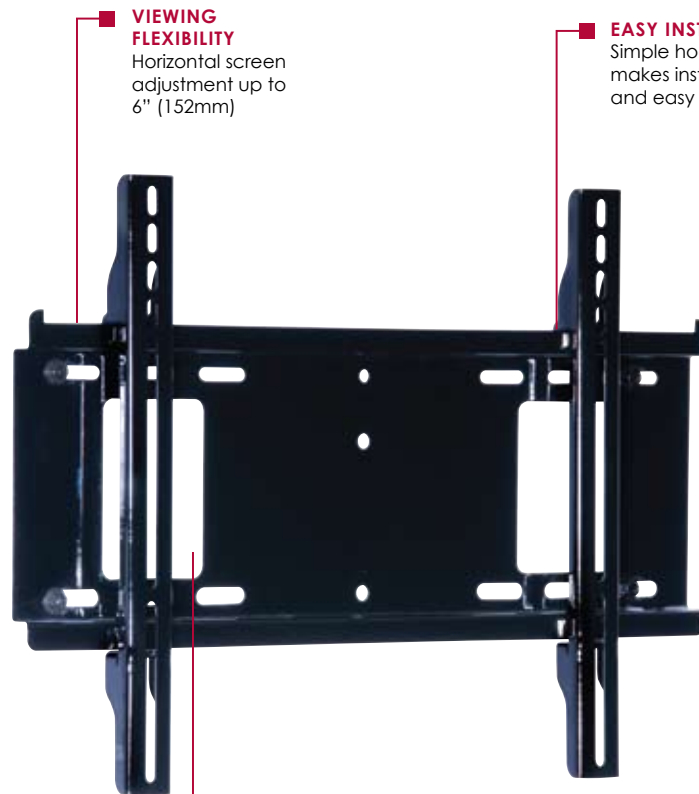
- Universal mount accommodates screens with mounting hole patterns up to 17.25" W x 12.94" H (438 x 329mm)
- Low-profile design holds screen only 1.18" (30mm) from the wall for a clean application
- Easy-glide adapters easily hook onto wall plate for a simple, safe and quick installation
- Horizontal screen adjustment of up to 6" (152mm) (depending on screen model) for perfect screen placement
- Mounts to wood studs, concrete, cinder block or metal studs (metal stud accessory required)
- Comes with Peerless' Sorted-for-You™ fastener pack with all necessary screen attachment hardware
- UL listed



Screen size: 23"-46"



Max load: 150lb (58kg)



VIEWING FLEXIBILITY

Horizontal screen adjustment up to 6" (152mm)

EASY INSTALLATION

Simple hook-on design makes installation quick and easy

WALL ACCESS

Wall access ports for access to electrical outlets and cable management



Low-profile design keeps screen 1.18" (30mm) from the wall



CLICK: www.peerlessmounts.com

CALL: 800.865.2112

FAX: 708.865.2941

peerless®

PF640	Universal Flat Wall Mount for 23" to 46" Flat Panel Screens
--------------	---

Product Specifications

	DIMENSIONS (W x H x D)	PRODUCT WEIGHT	LOAD CAPACITY	FINISH	AVAILABLE COLORS
PF640	19.25" x 13.75" x 1.18" (489 x 349 x 30mm)	4.3lb (2kg)	150lb (68kg)	Scratch resistant fused epoxy	Gloss black

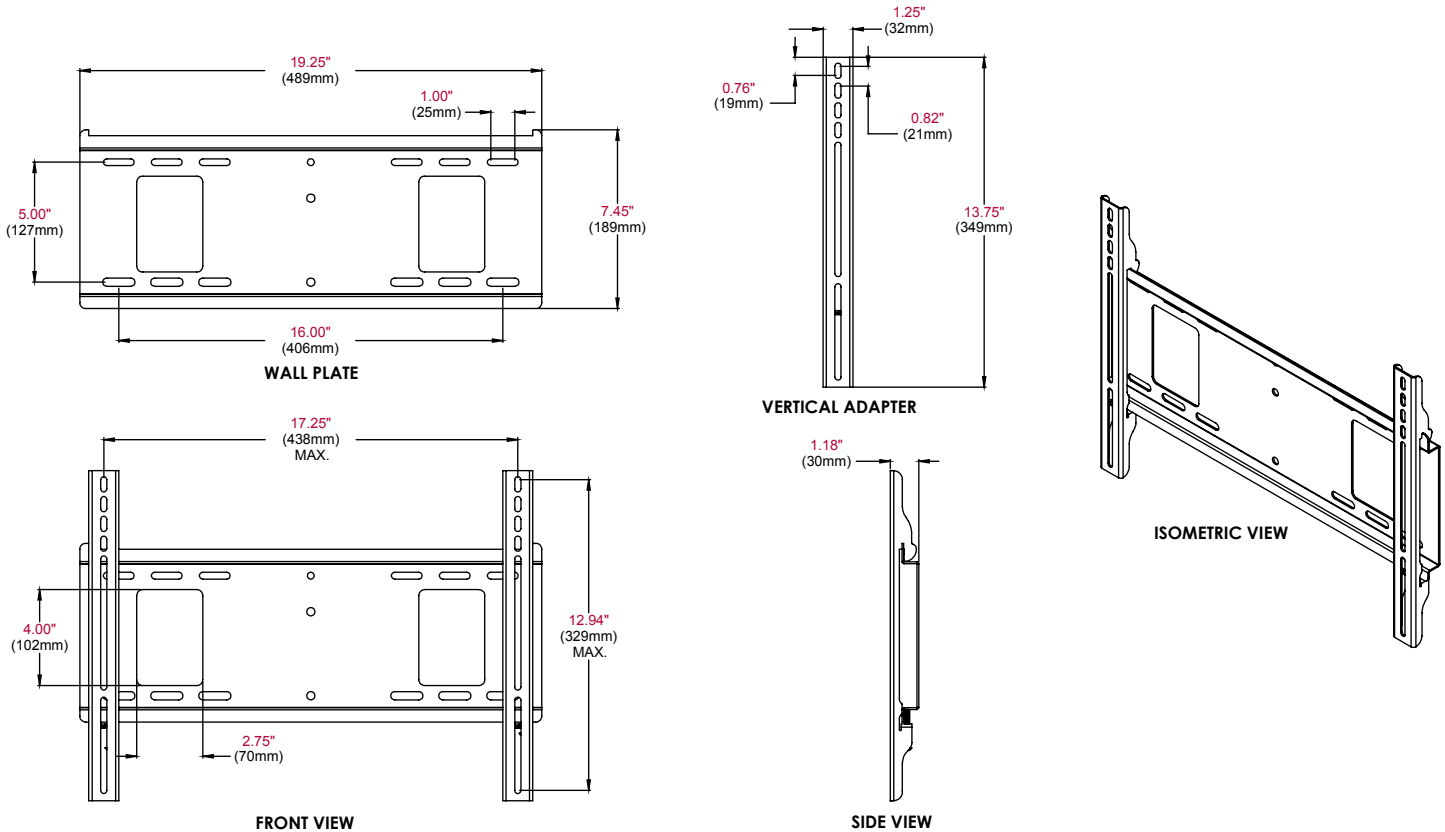
Package Specifications

	PACKAGE SIZE (W x H x D)	PACKAGE SHIP WEIGHT	PACKAGE UPC CODE	PACKAGE CONTENTS	UNITS IN PACKAGE
PF640	20.5" x 8.6" x 4" (521 x 218 x 102mm)	5.6lb (2.5kg)	735029252344	Wall plate, universal adapters, mounting and screen attachment hardware	1

Accessories

- ACC925:** Security Fasteners
- ACC415:** 4-pack Metal Stud Fastener Kit

All dimensions = inch (mm)



ARCHITECTS SPECIFICATIONS

The Universal Flat Wall Mount shall be a Peerless model PF640 and shall be located where indicated on the plans. It shall be constructed of heavy gauge cold rolled steel and finished with scratch resistant Black Fused Epoxy. Assembly and installation shall be done according to instructions provided by the manufacturer.