

DS-VW795-QR



Display size  
**65"-95"**



Max load  
**225lb (102kg)**



### Additional Features

- ✓ Quick release pop out mechanism provides convenient display access in recessed applications
- ✓ Quick release can be disabled with a locking screw to prevent unintentional pop-outs
- ✓ Carriage extension force can be adjusted to accommodate the weight of the display, allowing the quick release to activate with gentle force
- ✓ Tool-less micro-adjustments at 8 points allows the mount to overcome uneven walls to create a seamless video wall display
- ✓ Accommodates displays in landscape and portrait orientation
- ✓ Reusable custom wall plate spacers eliminate the guesswork and on-site installation calculations
- ✓ Modular mount for unlimited video wall display configurations
- ✓ Integrated cable management tie-backs make display-to-display cabling simple

**SMARTMOUNT.**

# Full Service Video Wall Mount with Quick Release

FOR 65" TO 95" DISPLAYS

The DS-VW795-QR full service video wall mount with quick release offers an easy to install and service solution for both landscape and portrait large format displays. Designed for quick service access in recessed video wall applications, the DS-VW795-QR provides versatility demanded by today's integrator. With the quick-release functionality, users have the ability to articulate the display from the wall by gently pressing on the front of the display. Featuring tool-less micro adjustment at eight points, the mounts can overcome uneven walls to create a seamless video wall display. In addition, custom wall plate spacers eliminating the guesswork and on-site installation calculations and measurement reducing installation time and cost. With no-tool-required micro-adjustments and easy-access to any display for quick serviceability it's the ultimate video wall mounting solution.

*The DS-VW795-QR's pop-out mechanism provides easy-access and quick serviceability, so you can achieve a seamless video wall in no time.*



- NO TEDIOUS CALCULATIONS  
NO GUESSWORK**  
Custom wall plate spacers eliminate the guesswork and on-site installation calculationsn
- UNIVERSAL DESIGN**  
Accommodates displays in landscape and portrait orientation
- NO TOOLS REQUIRED FOR MICRO-ADJUSTMENT**  
Simple, tool-less microadjustments at 8 points seamlessly align the displays
- QUICK RELEASE MECHANISM**  
Provides convenient display access in recessed applications
- ADJUSTABLE CARRIAGE EXTENSION FORCE**  
Adjustable to the weight of the display, allowing the quick release to activate with gentle force

Full service access

Tool-less micro adjustments

Wall plate spacers (sold separately)



DS-VW795-QR SmartMount® Full Service Video Wall Mount with Quick Release for 65" - 95" Displays

Product Specifications

	DIMENSIONS (W X H X D)	PRODUCT WEIGHT	LOAD CAPACITY	FINISH	AVAILABLE COLORS
DS-VW795-QR	32.73" x 28.04" x 3.68"-4.43" (831 x 712 x 93-113 mm)	40lb (18.1kg)	225lb (102kg)	Textured	Black

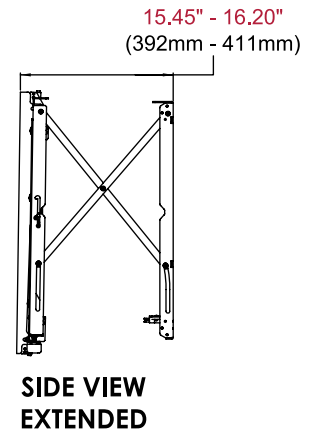
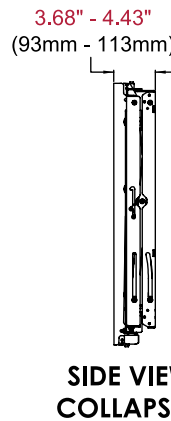
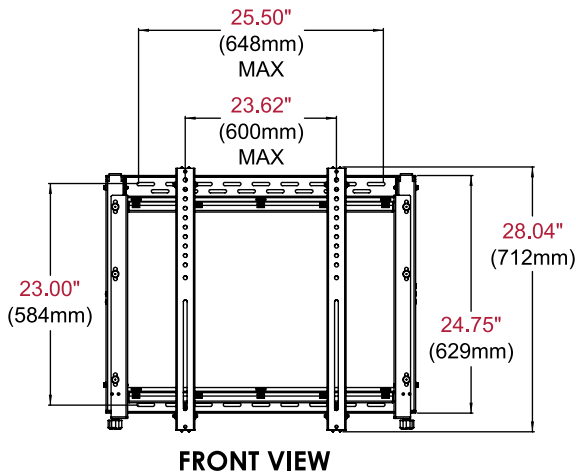
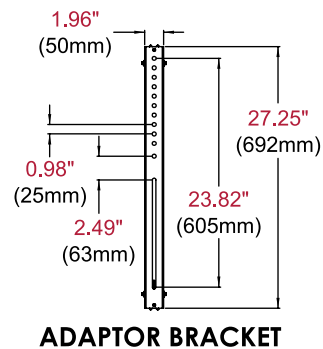
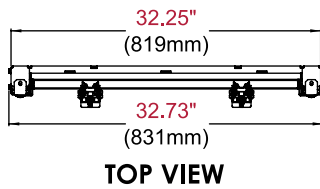
Package Specifications

	PACKAGE SIZE (W x H x D)	PACKAGE SHIP WEIGHT	PACKAGE UPC CODE	PACKAGE CONTENTS	UNITS IN PACKAGE
DS-VW795-QR	34.75" x 28.25" x 3.50" (883 x 718 x 89mm)	43lb (19.5kg)	735029301455	Wall mount assembly, mounting attachment rails, fasteners	1

Accessories

ACC-V800X: Adaptor for VESA® 800 x 400mm mounting patterns

All dimensions = inch (mm)



Architect Specifications

The Smartmount® Full Service Video Wall Mount with Quick Release shall be a Peerless-AV model DS-VW795-QR and shall be located where indicated on the plans. Assembly and installation shall be done according to instructions provided by the manufacturer.

Visit [peerless-av.com](http://peerless-av.com) to see the complete line of AV solutions from Peerless-AV, including outdoor displays, wireless, kiosks, digital audio, display mounts, projector mounts, carts/stands, and a full assortment of accessories.

**Peerless-AV**  
2300 White Oak Circle  
Aurora, IL 60502 USA  
**(800) 865-2112**  
**(630) 375-5100**  
**Fax: (800) 359-6500**

**Peerless-AV Europe**  
Unit 3 Watford Interchange  
Colonial Way, Watford  
Herts, WD24 4WP  
United Kingdom  
**+44 (0) 1923 200100**  
**Fax: +44 (0) 1923 200101**

**Peerless-AV de México**  
Ave de las Industrias 413  
Parque Industrial Escobedo  
Escobedo, N.L.,  
Mexico 66050  
**+52 (81) 8384-8300**  
**Fax: +52 (81) 8384-8360**

