

## LCT620A LCT620A-G



Monitor size  
up to 29"



Max load  
8.4 to 17.8lb  
(3.8 to 8.1kg)

# Desktop Monitor Arm Mount

## FOR UP TO 29" MONITORS

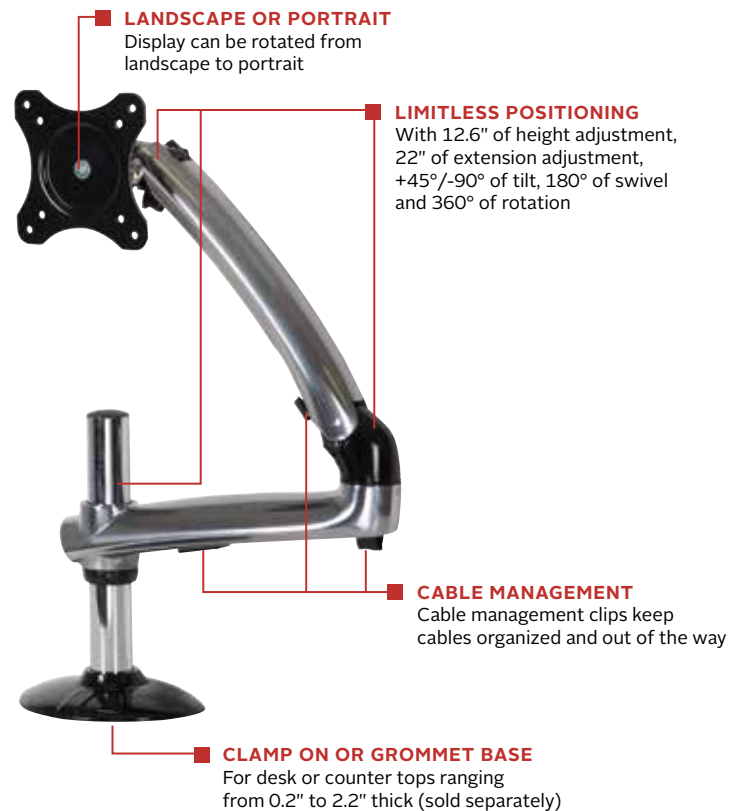
The LCT620A and LCT620A-G Desktop Monitor Mounts feature an attractive height adjustable articulating arm that provide perfect ergonomics with optimum monitor positioning for virtually all users. Choose between a clamp-on or grommet mounting base for limitless mounting options on any desktop or countertop surface between ½" to 2" (12 to 55mm) thick.

*Peerless-AV's desktop monitor mounts offer flexible monitor positioning, so the proper viewing angle can be found for all users.*



### Additional Features

- ✓ Articulating arm allows monitor to be adjusted to the perfect ergonomic position to help reduce eye, back and neck strain
- ✓ Accommodates different monitor weights ranging from 8.4 to 17.8lb (3.8 to 8.1kg)
- ✓ Smooth and effortless arm movement provided by bushings at all pivot points
- ✓ Compatible with VESA® 75 x 75mm and 100 x 100mm mounting patterns
- ✓ Monitor can be positioned anywhere from 0.25" to 18.50" (6 to 470mm) above the desktop surface measured at the center of the adaptor
- ✓ Both style mounting bases accommodate a desktop or counter thickness of 0.2" to 2.2" (5-55mm) thick
- ✓ Expertly finished polished aluminum arm and black base with chrome pole
- ✓ Integrated cable management provides clean, professional installation finish



LCT620A-G's Grommet base works with through holes in the desk or counter top



LCT620A's Clamp on base easily clamps to edge desk or counter top



Cable management keeps a clean appearance



## Model Numbers

**WARRANTY: Limited 5-year**

<b>LCT620A</b>	Clamp-on Base Desktop Monitor Arm Mount for up to 29" Monitors
<b>LCT620A-G</b>	Grommet Base Desktop Monitor Arm Mount for up to 29" Monitors

## Product Specifications

	DIMENSIONS (W X H X D)	PRODUCT WEIGHT	LOAD CAPACITY	FINISH	AVAILABLE COLORS
<b>LCT620A</b> <b>LCT620A-G</b>	(See Drawing)	11.00lb (5kg)	8.4 to 17.8lb (3.8 to 8.1kg)	High Gloss	Polished Aluminum with Black base and accents

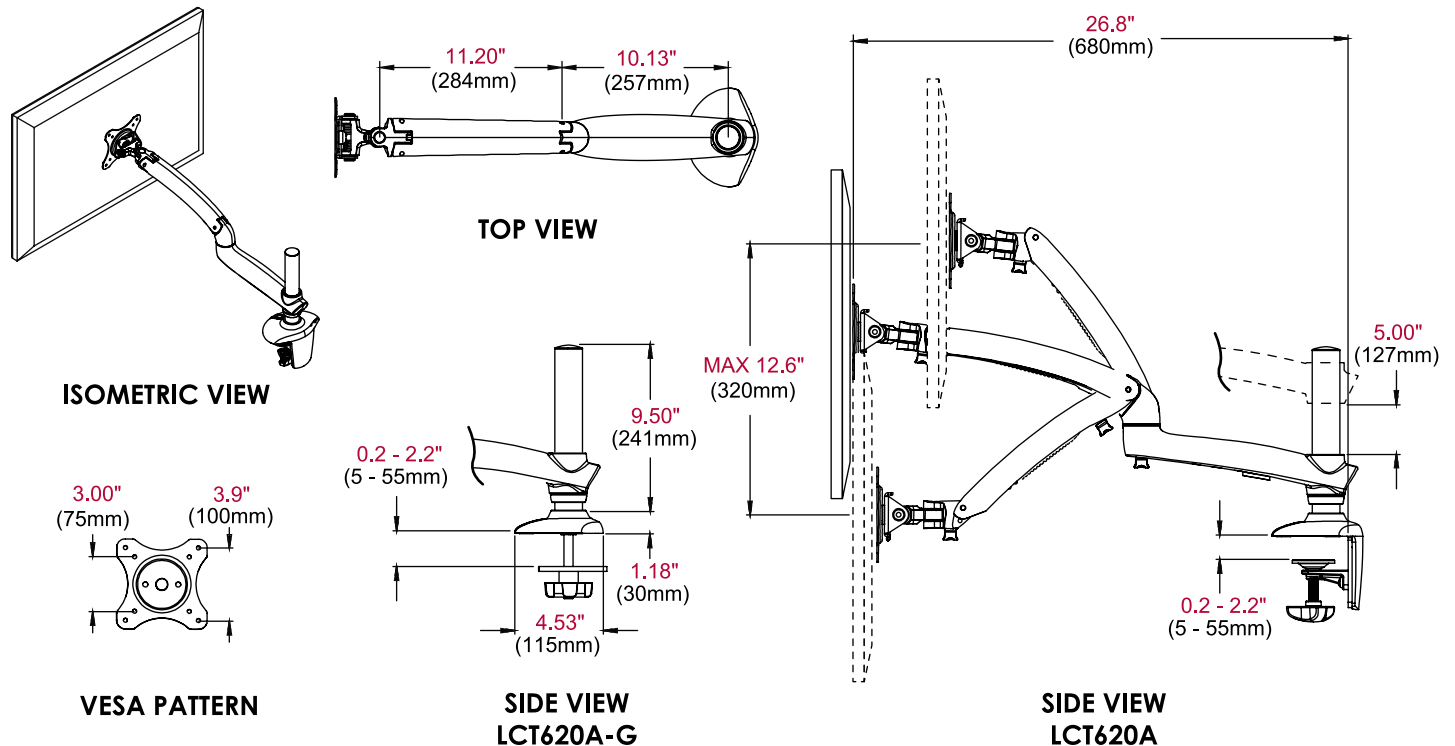
## Package Specifications

	PACKAGE SIZE (W x H x D)	PACKAGE SHIP WEIGHT	PACKAGE UPC CODE	PACKAGE CONTENTS	UNITS IN PACKAGE
<b>LCT620A</b> <b>LCT620A-G</b>	17.76" x 5.12" x 16.34" (451 x 130 x 415mm)	11.66lb (5.3kg)	735029279891 735029304005	Base with Pole, Arm w/adaptor, Hardware & Mounting instruction	1

## Accessories

<b>ACC328:</b>	Laptop Tray
<b>ACC450:</b>	VESA® 200 x 200mm Accessory Adaptor Plate
<b>ACC918:</b>	Security Fasteners
<b>PTM200:</b>	Universal Tablet Mount

All dimensions = inch (mm)



## Architect Specifications

The Desktop Monitor Arm Mount shall be a Peerless-AV model LCT620A(-G) and shall be located where indicated on the plans. Assembly and installation shall be done according to instructions provided by the manufacturer.

Visit [peerless-av.com](http://peerless-av.com) to see the complete line of AV solutions from Peerless-AV, including outdoor displays, wireless, kiosks, digital audio, display mounts, projector mounts, carts/stands, and a full assortment of accessories.

**Peerless-AV**  
2300 White Oak Circle  
Aurora, IL 60502 USA  
  
(800) 865-2112  
(630) 375-5100  
Fax: (800) 359-6500

**Peerless-AV Europe**  
Unit 3 Watford Interchange  
Colonial Way, Watford  
Herts, WD24 4WP  
United Kingdom  
+44 (0) 1923 200100  
Fax: +44 (0) 1923 200101

**Peerless-AV de México**  
Ave de las Industrias 413  
Parque Industrial Escobedo  
Escobedo, N.L.,  
Mexico 66050  
+52 (81) 8384-8300  
Fax: +52 (81) 8384-8360

**peerless-AV®**

LIT-0752 rev.5