

PT650

# Universal Tilt Wall Mount for 32" to 56" Flat Panel Screens

Easily install large screens with this simple, intuitive mounting solution. Its simple three step installation combined with its tool-less, one-touch tilt angle adjustment enables LCD and plasma flat panel screens to be installed and adjusted quickly. Cables and cords are easily managed behind the screen with large access ports in the wall plate. For perfect screen positioning, center the screen by smoothly sliding it along the wall plates horizontal rails.



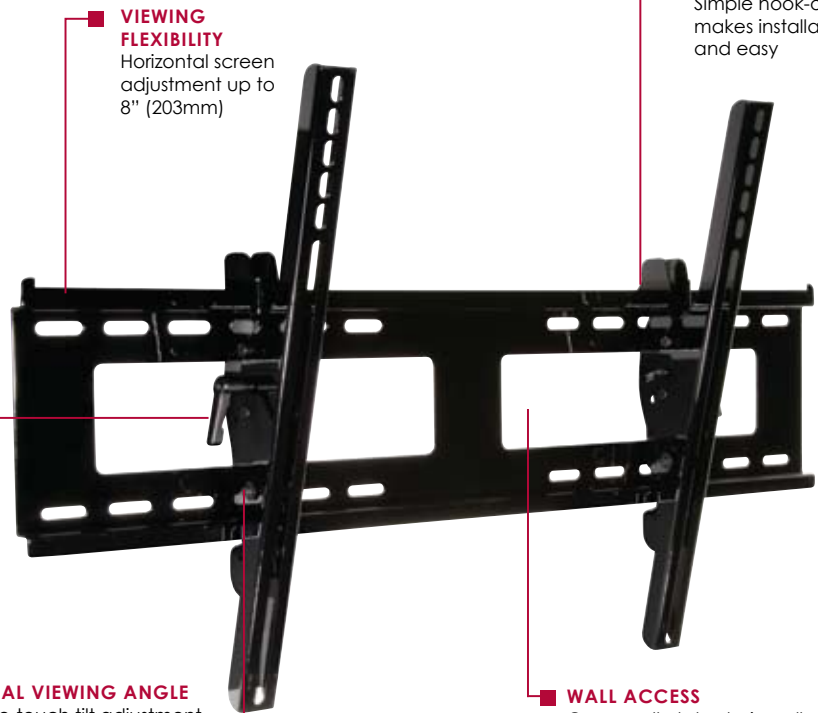
Screen size: 32"-56"



Max load: 175lb (79kg)

## FEATURES

- Universal mount accommodates screens with mounting hole patterns up to 29.06" W x 17.67" H (738 x 449mm)
- Adjustable 15° forward tilt and -5° backward tilt for finding the optimal viewing angle
- Easy-grip handle locks the screen position into place
- Optional IncreLock™ feature offers fixed tilt angles of -5°, 0°, 5°, 10°, 15°
- Open wall plate design allows for greater access to electrical outlets and cable management
- Easy-glide brackets easily hook onto wall plate for a simple, safe and quick installation
- Horizontal screen adjustment of up to 8" (203mm) (depending on screen model) for perfect screen placement
- Mounts to wood studs, concrete, cinder block or metal studs (metal stud accessory required)
- Comes with Peerless' Sorted-for-You™ fastener pack with all necessary screen attachment hardware
- UL listed



■ **VIEWING FLEXIBILITY**  
Horizontal screen adjustment up to 8" (203mm)

■ **EASY INSTALLATION**  
Simple hook-on design makes installation quick and easy

■ **IDEAL VIEWING ANGLE**  
One-touch tilt adjustment of +15/-5°

■ **WALL ACCESS**  
Open wall plate design allows for greater wall access and cable management

■ **VIEWING ANGLE LOCK OPTION**  
Optional angle lock in 5° increments



One-touch tilt adjustment of +15/-5°



<b>PT650</b>	Universal Tilt Wall Mount for 32" to 56" Flat Panel Screens
--------------	---

Product Specifications

	<b>DIMENSIONS (W x H x D)</b>	<b>PRODUCT WEIGHT</b>	<b>LOAD CAPACITY</b>	<b>FINISH</b>	<b>AVAILABLE COLORS</b>
<b>PT650</b>	30.75" x 18.5" x 2.56" (781 x 470 x 65mm)	8lb (4kg)	175lb (79kg)	Scratch resistant fused epoxy	Gloss black

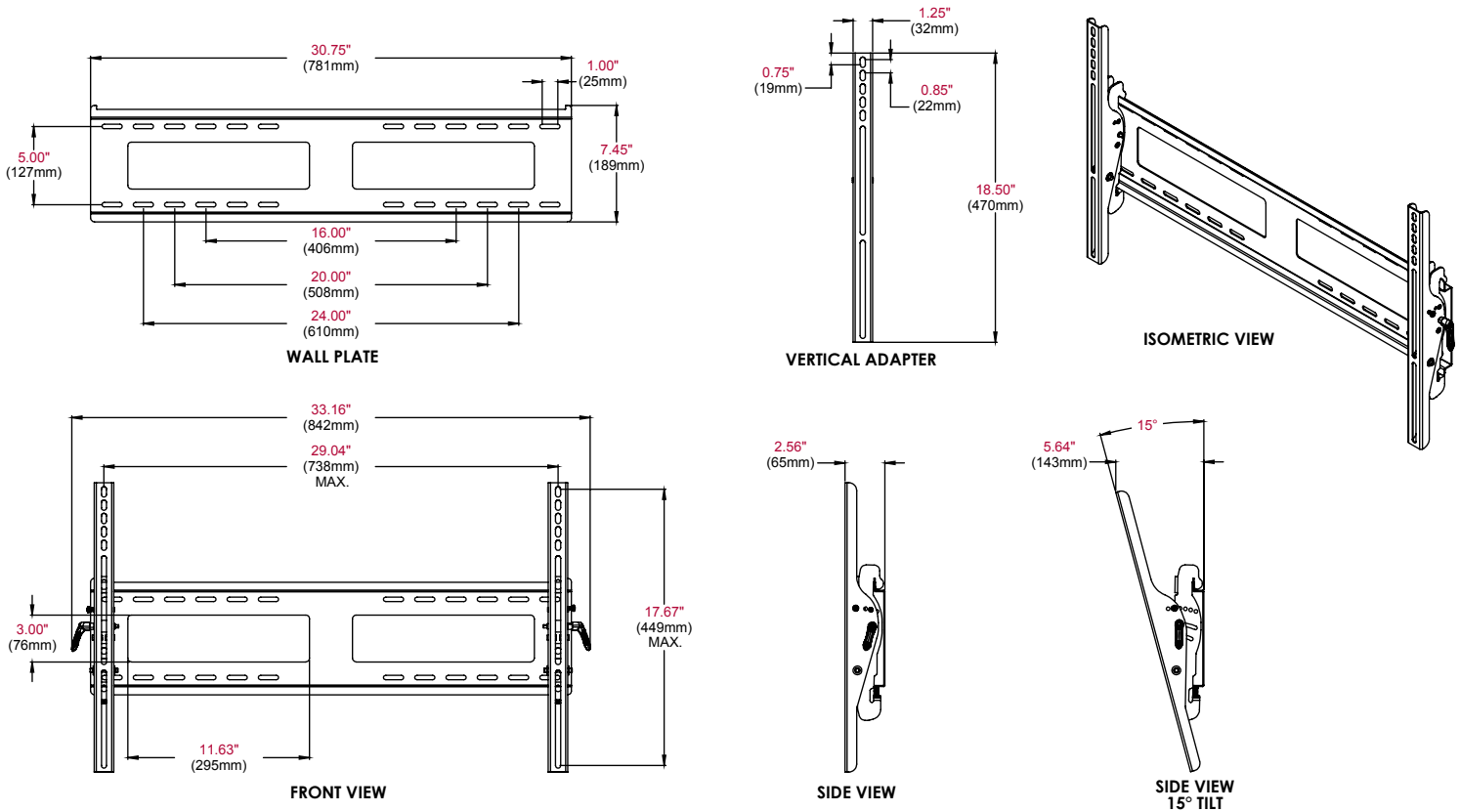
Package Specifications

	<b>PACKAGE SIZE (W x H x D)</b>	<b>PACKAGE SHIP WEIGHT</b>	<b>PACKAGE UPC CODE</b>	<b>PACKAGE CONTENTS</b>	<b>UNITS IN PACKAGE</b>
<b>PT650</b>	31.8" x 8.63" x 3.88" (808 x 219 x 99mm)	10.5lb (5kg)	735029254881	Wall plate, universal adapters, mounting and screen attachment hardware	1

Accessories

- ACC925:** Security Fasteners
- ACC415:** 4-pack Metal Stud Fastener Kit

All dimensions = inch (mm)



ARCHITECTS SPECIFICATIONS

The Universal Tilt Wall Mount shall be a Peerless model PT650 and shall be located where indicated on the plans. It shall be constructed of heavy gauge cold rolled steel and finished with scratch resistant Black Fused Epoxy. Assembly and installation shall be done according to instructions provided by the manufacturer.