

# TECHNICAL DATA SHEET - Articulating Wall Arm for LCD Screens

PARAMOUNT <sup>TM</sup> by Peerless

MODEL: PA730, PA730-S



This versatile and contemporary LCD mount makes it easy to put a small flat panel screen on a wall, on the side of a kitchen or bathroom cabinet or just about anywhere. Three pivot-points and a tilting mechanism allows for limitless adjustments to help gain the perfect view. Feel free to turn the screen all the way around a cabinet to view from another room.

### Features:

- Fits all 10"-26" LCD screens with VESA® 75/100 mounting pattern
- Extends out to 14.46" and folds flat against the wall to save space
- Get the best view with up to +/-35° continuous one-touch tilt adjustment
- Includes cable management to easily route cords from the TV to the wall
- Pre-assembled and easy to install
- Includes all necessary wall mounting and screen attachment hardware

### Accessories:

- Metal stud wall accessory kit - ACC 908-1 (Not evaluated by UL)

### Dimensions:

#### Weight:

2.15 lb (1 kg)

#### Shipping weight:

2.65 lb (1.2 kg)

#### Maximum Load Capacity:

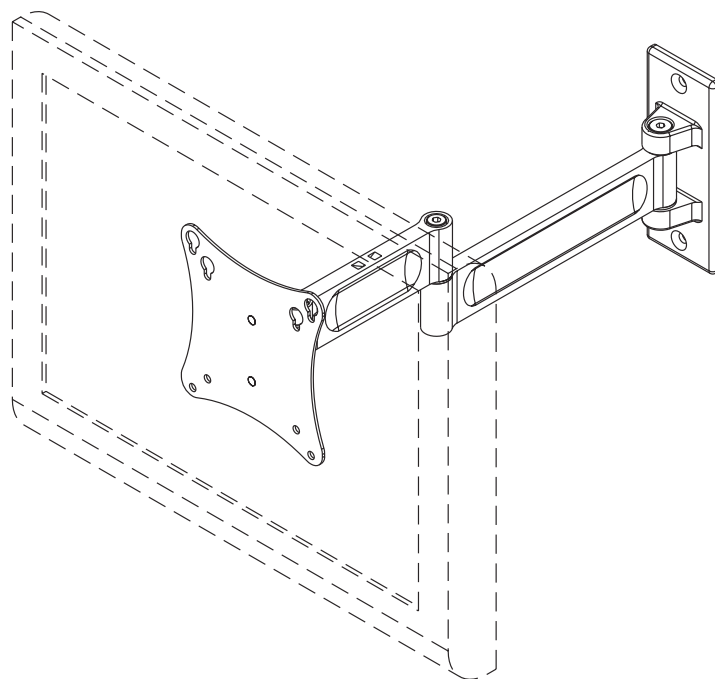
25 lb (11.4 kg)

#### Shipping Carton Dimensions:

**L** = 10.375 in (264 mm)

**W** = 7.25 in (184 mm)

**H** = 2.625 in (67 mm)



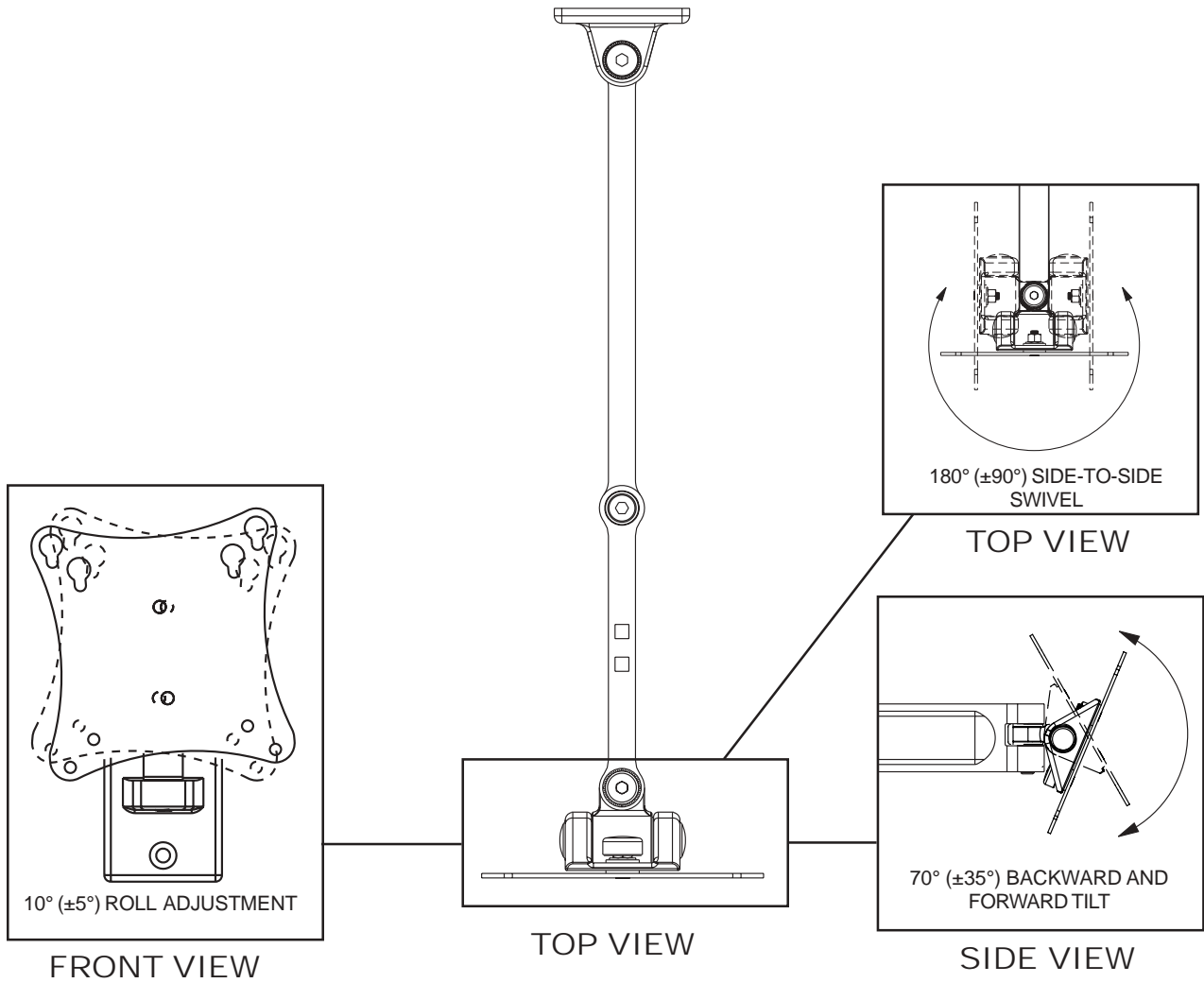
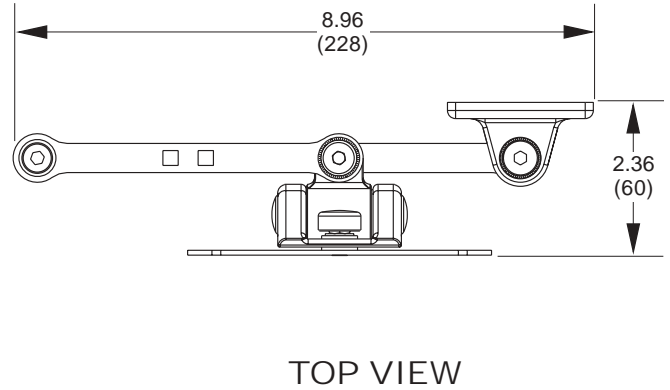
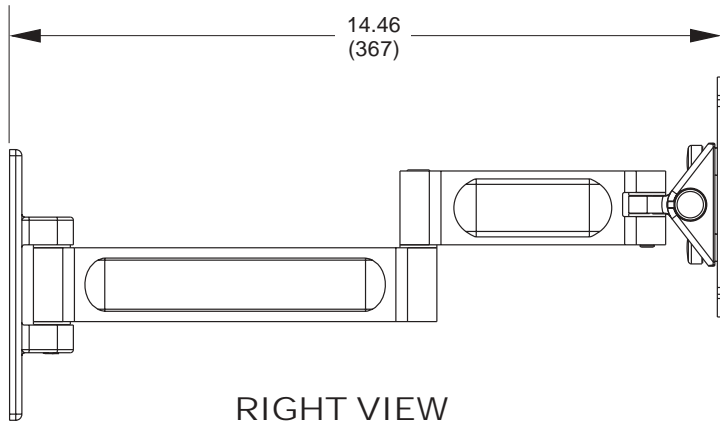
## ARCHITECTS SPECIFICATIONS

The LCD Screen Adjustable Wall/Cabinet Mount shall be a Peerless model \_\_\_\_\_ and shall be located where indicated on the plans. Assembly and installation shall be done according to instructions provided by the manufacturer. Mount is made of anodized aluminum and adapter bracket is made of steel with a scratch resistant epoxy silver or gloss black finish.

TECHNICAL DATA SHEET

MODEL: PA730, PA730-S

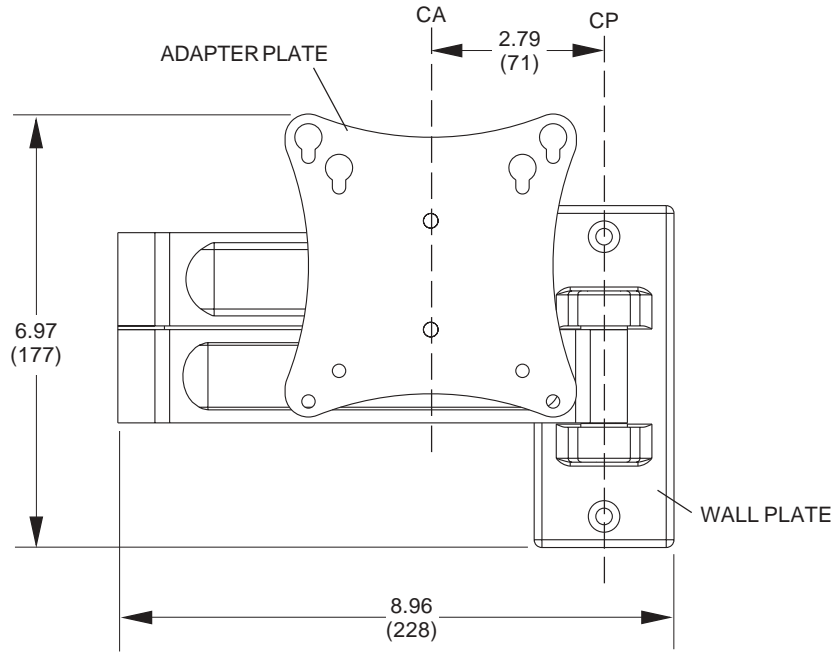
ALL DIMENSIONS = INCH (MM)



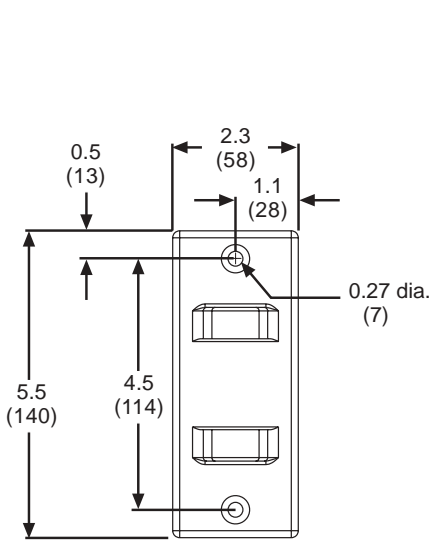
TECHNICAL DATA SHEET

MODEL: PA730, PA730-S

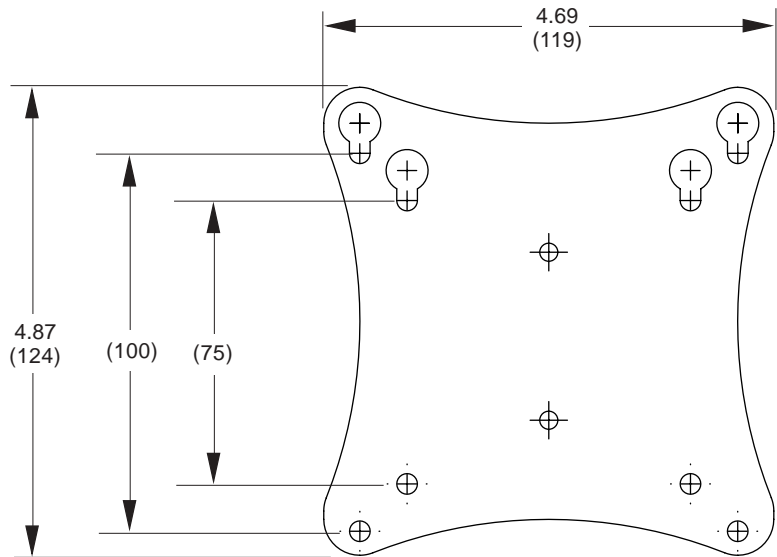
ALL DIMENSIONS = INCH (MM)



FRONT VIEW



WALL PLATE



ADAPTER PLATE DETAIL