

devolo

Home Control Humidity Sensor



first steps

Thank you for placing your trust in this devolo product.

Carefully read all instructions before setting up the device and store the instructions for later reference.

Icons



Very important note. Failure to observe this note may result in damage.



Important note that should be observed.



Background information and configuration tips for your device.

Intended use

Use the Home Control Humidity Sensor as described in these instructions and in the Home Control online help to prevent damage and injuries.



Except for occasional battery replacement, the Home Control Humidity Sensor is completely maintenance-free. The device contains no user-serviceable parts!

CE conformity



When used as intended, the product conforms to the basic requirements of the directives 2014/53/EU, 2014/35/EU and the other relevant provisions of the Radio and Telecommunications Terminal Equipment Act (FTEG) and is designed for use in the EU, Switzerland and Norway. A printout of the CE declaration is included.

devolo Home Control

Home Control (also known as home automation) refers to the specific control of electrically operated indoor household devices. The Home Control system from devolo uses the Z-Wave™ wireless standard.

A Home Control system requires a Z-Wave™-compatible control unit such as the Home Control Central Unit from devolo. Use its Home Control Portal to co-ordinate the Home Control Humidity Sensor and all other Home Control devices. You can access the Home Control Central Unit through the **my devolo app** and at www.mydevolo.com in a browser.

- i** *For more information about setting up the Home Control Central Unit, please refer to the installation guide and/or Home Control online help. You can find the product's installation video online at www.devolo.eu/home-control.*

Accessing the Home Control Central Unit via the my devolo app (for smartphone/tablet)

Open the **my devolo app** ⇨ **Home Control** and select your **Home Control Central Unit**.

Accessing the Home Control Central Unit via web browser (PC/laptop)

At www.mydevolo.com ⇨ **Home Control** select your **Home Control Central Unit**.

- i** *For more information on the control and configuration of all devolo Home Control devices, as well as application examples, please refer to the Home Control online help.*



The Home Control Humidity Sensor

The Home Control Humidity Sensor measures temperature and humidity. It records their changes and thereby helps maintain optimum humidity in living spaces. The optimal value ranges from 40 to 60 percent. The Home Control Humidity Sensor is equipped with an integrated LED and a release button.



The Home Control Humidity Sensor can be used in various ways. Depending on the use, position the Home Control Humidity Sensor as follows:

- To determine your **comfortable climate**, position the Home Control Humidity Sensor in your comfort zone, for example, in your living room near the couch.

6

- To determine the **dew point** and prevent mould growth, position the Home Control Humidity Sensor in a corner of the room.
 - To control the ventilation, position the Home Control Humidity Sensor in the bathroom.
- i** *For more detailed descriptions and application scenarios for Home Control Humidity Sensor functions, refer to the Home Control online help.*

Batteries



Always keep batteries away from open flame and high temperatures. Avoid direct sunlight and radiated heat!

Always remove all batteries from battery-operated devices that are only in storage and are not in use. Old batteries can leak and damage the device!

Do not use rechargeable batteries!

When inserting the battery, make sure the polarity is correct. Using the battery incorrectly can damage the device!

- i** *The Home Control Humidity Sensor requires a commercially available CR123(A) lithium battery. For information on replacing the battery, please refer to the Home Control online help.*



Registering the Home Control Humidity Sensor on the control unit (e.g. devolo Home Control Central Unit)



Only use the Home Control Humidity Sensor indoors.

Avoid placing the Home Control Humidity Sensor in direct sunlight or radiated heat!

To ensure the best possible wireless range for the Home Control Humidity Sensor, avoid positioning it behind objects that block the signal (attenuation) and avoid interference sources. *Weak signals due to attenuation can result from furniture, plants and especially metal objects which are located between the devices. Possible sources of interference include electrical devices such as a microwave or computer. In such instances, keep your device at least around 50 cm away from the source.*

- ① Place the Home Control Humidity Sensor close to the desired location of use.
- ② When you plug in the **Home Control Central Unit** from **devolo**, follow the description in the section **devolo Home Control** on page 3 to call up your **Home Control Central Unit** and select **Devices**  **Add device (plus symbol)**  **devolo Home Control Humidity Sensor**. Follow the instructions in the Home ControlPortal for logging into your Home Control Central Unit.

Installing the Home Control Humidity Sensor

- ③ Before you attach the Home Control Humidity Sensor, first check whether the sensor is displayed in the Home Control Portal. Then test whether the values for humidity, temperature and dew point are also displayed on the element (widget). If they are, you can proceed with the installation.



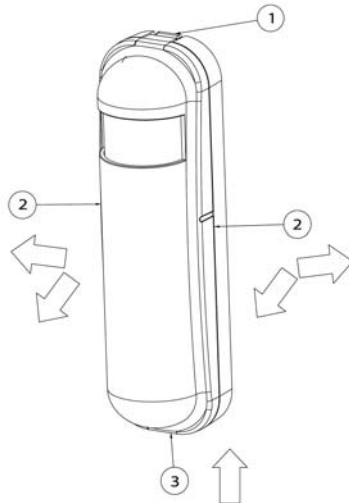
Install the Home Control Humidity Sensor on a flat and level surface so that the black release button on the rear of the sensor is depressed when the device is installed.

- ④ **If using double-sided tape to fasten the Home Control Humidity Sensor**, adhere the tape to the **centre** (below the release button) on the **rear** of the **sensor** and attach the Home Control Humidity Sensor to the desired location.



If installing on a wall using screws, make sure that no gas, water or power lines in the wall get damaged. There is a danger of electric shock!

- ⑤ **If you use screws to attach the Home Control Humidity Sensor**, take apart the upper and lower housing component of the sensor by pressing the tab down **1** in order to release the housing components (from top to bottom, **2** and **3**).



- Based on the drill template on the lower housing component, drill holes into the desired location and attach the lower component of the sensor using screws.
- Insert the bottom end of the upper housing component into the groove **3** provided for this purpose in the lower component.
- Then push the entire upper housing component (from bottom to top, **3** and **2**) onto the lower component as far as it will go. This completes the installation of the Home Control Humidity Sensor.



From now on, you can take electronic control conveniently using the Home Control Portal of the Home Control Central Unit. For more information on the control and configuration of all devolo Home Control devices, as well as application examples, please refer to the Home Control online help.

Service and warranty

Warranty: 3 years

If your devolo device is defective when first used or within the warranty period, please contact the supplier where you bought the devolo product. The supplier will handle getting a replacement or repair for you from devolo. For the complete warranty terms, please visit our website at www.devolo.com/warranty.

Great Britain	+44 203 0241 838 *	support@devolo.co.uk
Portugal	+351 707 200 896 *	support@devolo.pt
Spain	+34 902 887 682 *	support@devolo.es
Sweden	+46 771 400 480 *	support@devolo.se
Other countries	+49 241 70 525 18 *	support@devolo.com

* Detailed information about the actual costs of the telephone calls can be found on the devolo website.

Disposal

Neither the Home Control Humidity Sensor nor the battery may be disposed of with the household waste. Instead, you can return these at no charge at your municipal collection point or at the retailer (e.g. supermarket, specialist shop).

devolo

devolo AG

Charlottenburger Allee 60

52068 Aachen – Germany

www.devolo.com