

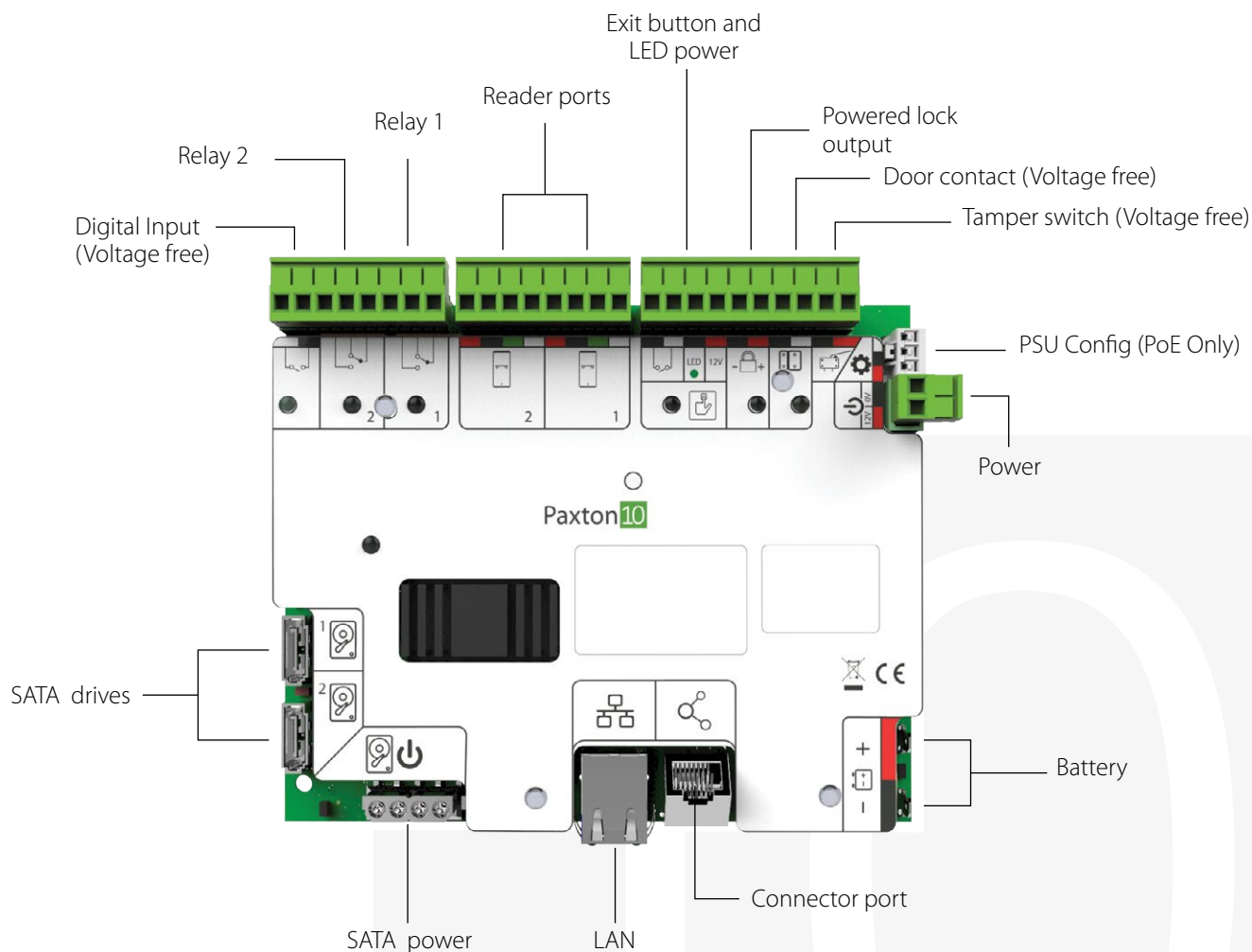
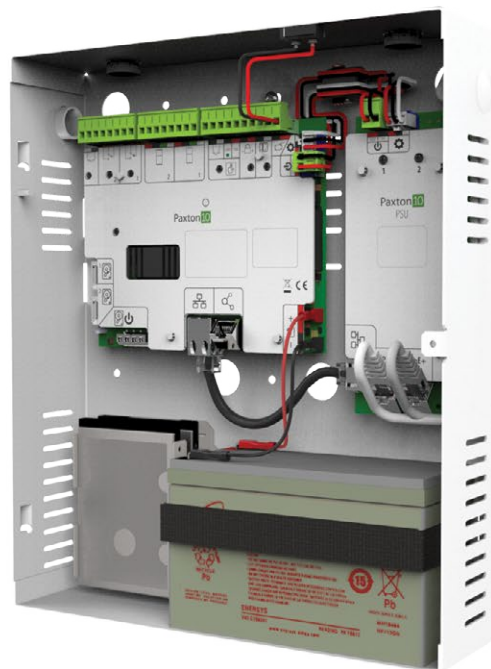
## Overview

The Paxton10 Video Controller combines both the Single Door Controller and a video recorder into one unit. Removing the need for any additional integration, the video controller makes installing an access control system with video recording a seamless and simple task.

Two SATA hard drives can be installed simultaneously in a RAID1 configuration.

## Features

- All the same functionality as a Single Door Controller
- Built in video recorder with expandable storage
- Simple plug and play installation
- PoE+ or 12V dc powered
- Locally stored programming enables the system to continue working if connection to the server is lost
- 5 year warranty
- Backup battery connectors
- Powered lock output
- Simple and intuitive connectivity





## Electrical

Power consumption	
Controller input voltage	12V - 24V dc
Backup battery	12V dc, 7Ah (Optional)
Lock output	12V dc/ 1A
Relay rating	30V dc/ 2A
RS485 connector output	24V dc, 750mA max (Paxton connectors only)
RS485 reader output	12V dc, 1A max (Paxton readers only)
PoE Power Supply	INPUT: 42.5-57V dc, 25.5W (IEEE 802.3at Type 2) OUTPUT: 12.8V dc, 1.8A
4A Power Supply	INPUT: 100-240V AC, 50/60Hz, 1.5A OUTPUT: 12.8V dc, 4A



## Communication

Data connection	IP
-----------------	----



## Hardware

Dimensions (W x H x D)	275mm x 320mm x 70 mm
Door contact input	Yes
Voltage free digital input	1
Exit button input	Push to make
Tamper input	Yes
Relays	2
Maximum number of readers/keypads per door	2
Warranty	Paxton 5 year
Video storage	2 x SATA inputs for RAID1 configuration (drives not included)



## Environment

Operating temperature	0-45 degrees
IP Rating	N/A
Mounting	Wall