

S Vent

Slotvent

Physical specification

All measurements in millimetres



Features and benefits

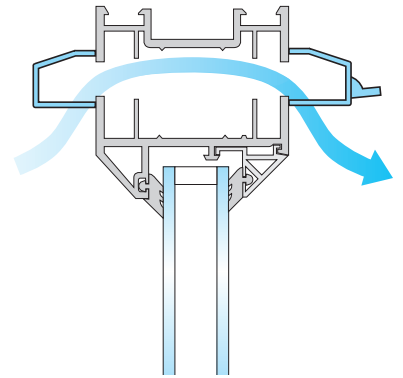
Up to 4200mm² equivalent area.

Selection of control options.

Upward and downward air deflection options.

Widely specified within the social sector.

Suitable for installation with sleeves that help improve window integrity.



Control options

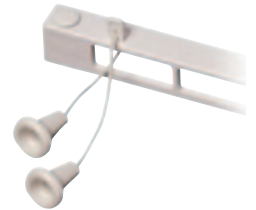
The S Vent is available with a range of 3 control options, offering maximum flexibility for occupant control.



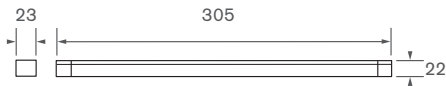
Front operation



Bottom operation



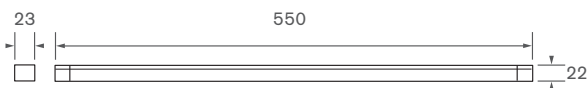
Pull cord operation



3000S



4000S



6000S

Models and control options

Product code	Configuration	Equivalent area (mm ²)	Dimensions (mm) l x h x d	Slot height (mm)	Slot size (mm)			Control	Colour
					Length	Central gap	Length		
3000S	S Vent internal & external	1800	305 x 22 x 23	12.5/16	243			F, B, PC	W, BW, B, T, WIBO, WITO
		2500			265				
4000S	S Vent internal & external	2700	400 x 22 x 23	12.5/16	163	15.5	163	F, B, PC	W, BW, B, T, WIBO, WITO
		3200			175	10	175		
6000S	S Vent internal & external	3400	550 x 22 x 23	12.5/16	243	15.5	243	F, PC	W, BW, B, T, WIBO, WITO
		4200			250	10	250		

Scottish Building Regulations: Free Area Performance (see page 11 for full details). 3000S = 3000mm², 4000S = 4000mm², 6000S = 6000mm² (using 12.5 rout option). **Control:** Front (F), Bottom (B), Pull Cord (PC). **Colour:** White (W), Brown (B), Tan (T), Brilliant White (BW), White Inner Brown Outer (WIBO), White Inner Tan Outer (WITO).

Performance

BS EN 1026: 2000 Air Permeability

Window vent	@ 50Pa (m ³ /hr)	@ 50Pa (l/s)
3000S	1	0.27
4000S	4	1.11
6000S	10	2.7

BS EN 1027: 2000 Watertightness

Window vent	Pressure at no leakage (Pa)	Classification
3000S	500	E4
4000S	500	E4
6000S	600	E4

BS EN ISO 717-1: 1997 Airborne Sound Insulation (dB)

Window vent	Dn,e,w (dB) Open
3000S	35
4000S	33
6000S	32

Ordering information

To Order: 4000S + control option e.g. F (front) + colour option e.g. BW (brilliant white): 4000SFBW

Optional sleeve

An optional sleeve is available for bridging the window frame across the rout. Its use encloses the passage of air between the inner and outer frame sections improving the overall integrity of the window.

Sleeve model	Width (mm)	Rout (mm)	Configuration
SL1.58	58	170 x 17	Box of 25
SL1.62	62	170 x 17	Box of 25
SL1.70	70	170 x 17	Box of 25
SL1.75	75	170 x 17	Box of 25

Available on 4000S only. 2 sleeves are required for 4000S.