



DOOR CLOSER RANGE



Powersprint

Fixed spring power 3

Code reference standard

0	1	8	8	0	3	0	0	0	1
---	---	---	---	---	---	---	---	---	---

Code reference EN tested

0	1	8	8	0	3	0	4	0	1
---	---	---	---	---	---	---	---	---	---

RYOBI	8803EN				
EN1154:1996					
3	8	3	1	1	3



- Standard finish silver
- Fixed power size 3
- Closing and latch speed control
- Suitable for standard arm application
- Optional cover and PA bracket available.

Powerglide

Fixed spring power 3 or 4

Code reference

0	1	1	5	5	3	0	1	0	1
---	---	---	---	---	---	---	---	---	---

0	1	1	5	5	4	0	1	0	1
---	---	---	---	---	---	---	---	---	---

RYOBI	D-1550				
EN1154:1996					
3	8	3	1	1	3
3	8	4	1	1	3



- Standard finish silver
- Fixed power size 3 or 4
- Closing and latch speed control
- Adjustable back check
- Suitable for standard, parallel arm and over door installation
- Track arm option and hold open arms available

Powerplus

Spring power adjustable 1-4

Code reference

0	1	2	5	5	0	0	1	0	1
---	---	---	---	---	---	---	---	---	---

RYOBI	D-2550				
EN1154:1996					
4	8	4	1	1	3
		1			



- Standard finish silver
- Spring power adjustable 1/4
- Closing and latch speed control
- Adjustable back check
- Suitable for standard, parallel arm and over door installation
- Track arm option and hold open arms available
- Coloured finishes available

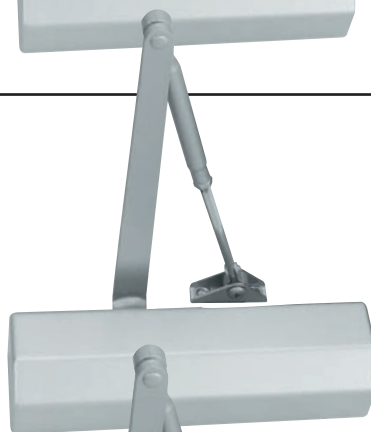
Multipower

Spring power adjustable 2-5

Code reference

0	1	3	5	5	0	0	1	0	1
---	---	---	---	---	---	---	---	---	---

RYOBI	D-3550				
EN1154:1996					
4	8	5	1	1	3
		2			



- Standard finish silver
- Spring power adjustable 2/5
- Closing and latch speed control (vandal resistant adjustment)
- Adjustable back check and delayed closing (vandal resistant adjustments)
- Suitable for standard, parallel arm and over door installation
- Track arm option and hold open arms available

Superpower

Spring power adjustable 1-6

Code reference

0	1	4	5	5	0	0	1	0	1
---	---	---	---	---	---	---	---	---	---

RYOBI	D-4550				
EN1154:1996					

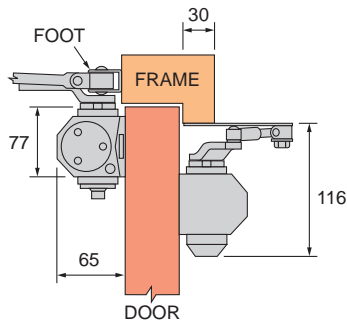


- Standard finish silver
- Spring power adjustable 1/6
- Closing and latch speed control (vandal resistant adjustment)
- Adjustable back check and delayed closing (vandal resistant adjustments)
- Suitable for standard, parallel arm and over door installation
- Heavy duty parallel arm sets available

Surface mounted door closers

STANDARD ARM

PARALLEL ARM



Ryobi 8803 Standard. Ryobi 8803 EN

Suitable for door width 950mm. Door weight 60kg.

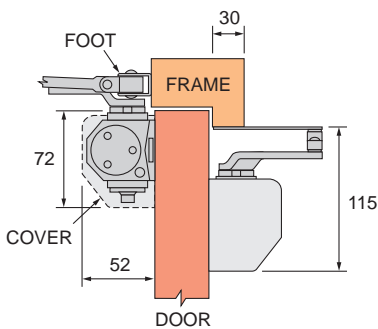
Specify for internal doors only. Not recommended for use on doors used by the public.

Tested and assessed as suitable for closing fire doors satisfying the requirements of BS 476 part 22: 1997 when installed standard installation.

Successfully tested EN1154 (inc. EN1634 part 1) model identified as 8803 EN available January 2003.

Typical Applications

Commercial, Industrial, Office units, Store rooms, Domestic. Specify for non public areas where the limitations of the closer are respected.



Ryobi D-1553 BC Universal

Suitable for door width 950mm. Door weight 60kg.

Specify for internal doors within the width and weight restriction.

Successfully type tested EN1154 (inc EN1634 part 1). Suitable for closing insulated fire doors, standard installation. If parallel arm or over mount is required specify D-1554 BC to accommodate loss of power.

Ryobi D-1554 BC Universal

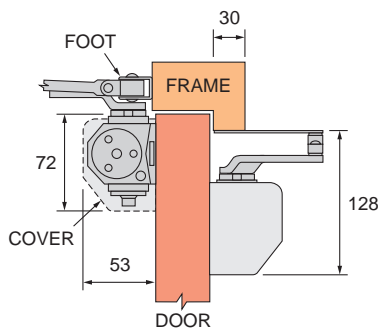
Suitable for door width 1100mm. Door weight 80kg.

Specify for internal doors within the width and weight restriction.

Successfully type tested EN1154 (inc. EN1634 part 1). Suitable for closing insulated fire doors. Minimum power size 3 can be achieved on parallel arm and over door installations.

Typical Applications

Commercial, Offices, Schools, Public Buildings. Specify for general use within the limitations of a presized closer, in areas not subjected to variations in air pressure.



Ryobi D-2550 BC Universal

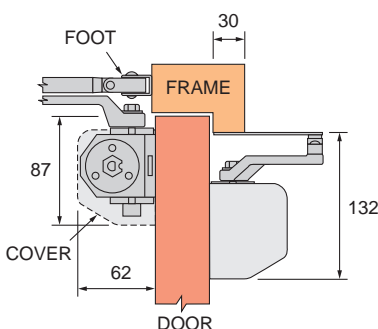
Suitable for door widths between 750mm and 1100mm. Door weight between 20kg and 80kg. Spring power adjustable.

Specify for busy internal doors where there is little incentive to take care i.e. where there is some chance of misuse.

Successfully type tested EN1154 (Inc. EN1634 part 1). When adjusted to minimum power size 3 suitable for closing insulated fire doors. Minimum power size 3 can be achieved on standard, parallel arm, over door installation.

Typical Applications

Versatile and power adjustable this closer presents an ideal specification for use in Offices, Schools, Public Buildings.



Ryobi D-3550 BC/DA Universal

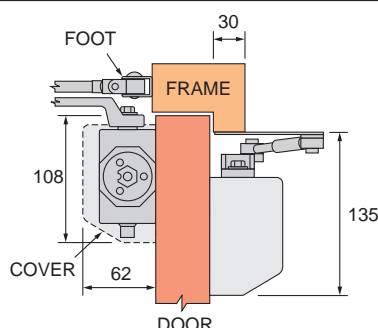
Suitable for door widths between 850mm and 1250mm. Door weight between 40kg and 100kg. Spring power adjustable.

Specify for busy internal/external doors where there is little incentive to take care i.e. where there is some chance of misuse.

Successfully type tested EN1154 (Inc. EN1634 part 1). When adjusted to minimum power size 3 suitable for closing insulated fire doors. Minimum power size 3 can be achieved on standard, parallel arm, over door installation.

Typical Applications

Commercial, Public Buildings, Hospitals, Schools, when door weight and width are not known. To overcome variations in external and internal wind pressure. To ensure positive closing when used in conjunction with access control systems and when delayed closing is required to give the less able more time to make access or exit.



Ryobi D-4550 BC/DA Universal

Suitable for door widths between 750mm and 1600mm. Door weight between 20kg and 160kg. Spring power adjustable.

Specify for internal/external doors where operating conditions are known to be difficult.

Typical Applications

Industrial, Commercial, Public Buildings, Hospitals, Schools, External doors where operating conditions are severe. When used on doors opening out into the environment, specify for use with heavy duty parallel arm set with or without stop.

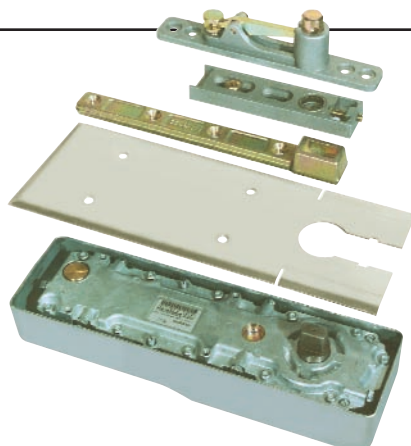
Floormate

N.H.O. (non hold open)

Code reference

0	1	0	0	6	8	7	0	0	0
---	---	---	---	---	---	---	---	---	---

IDC				
EN1154:1996				



- Suitable for double action doors
- Opening and self closing angle $\pm 180^\circ$
- Closing speed adjustment
- Thermo constant braking -15 to +40 C
- Adjustable within the box
- Built in safety features
- Solid stainless steel cover plate
- Polished brass cover plate option

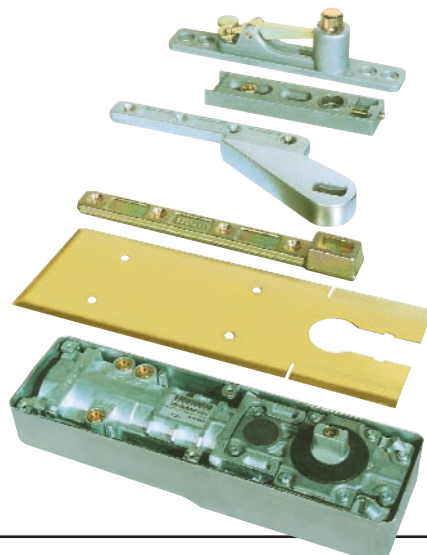
Floormaster

N.H.O. (non hold open)

Code reference

0	1	1	0	5	5	3	0	0	0
---	---	---	---	---	---	---	---	---	---

IDC				
EN1154:1996				



- Suitable for double/single action doors
- Opening and self closing angle $\pm 180^\circ$
- Closing/latch/final latch, speed adjustment
- Thermo constant braking -20 to +40 C
- Adjustable within the box
- Built in safety features
- Solid stainless steel cover plate
- Polished brass cover plate option

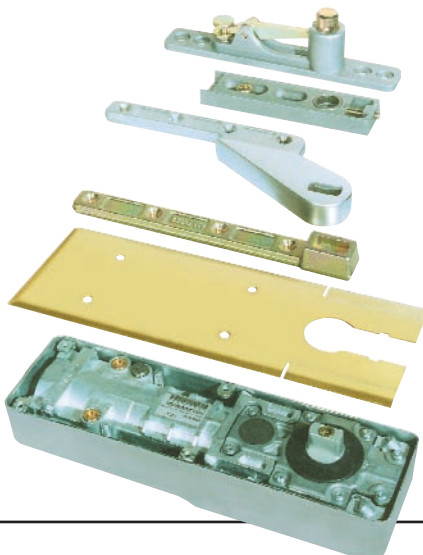
Floormaster

V.H.O. (variable hold open)

Code reference

0	1	1	0	7	7	7	3	0	0
---	---	---	---	---	---	---	---	---	---

IDC				
EN1154:1996				



- Suitable for double/single action doors
- Opening and self closing angle $\pm 180^\circ$
- Hold open selectable between 90° – 180°
- Closing and latch speed adjustment
- Thermo constant braking -20 to +40 C
- Adjustable within the box
- Built in safety feature
- Solid stainless steel cover plate
- Polished brass cover plate option

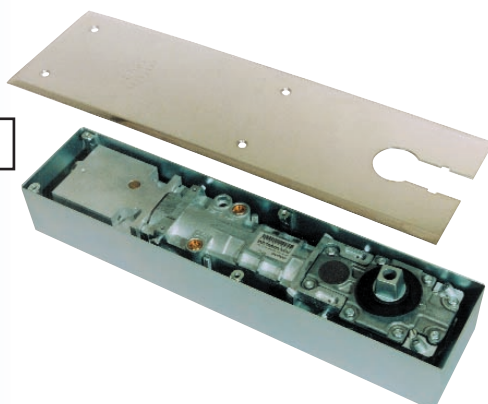
Floormaster

E.M.H.V.H.O. electro magnetic variable hold open

Code reference

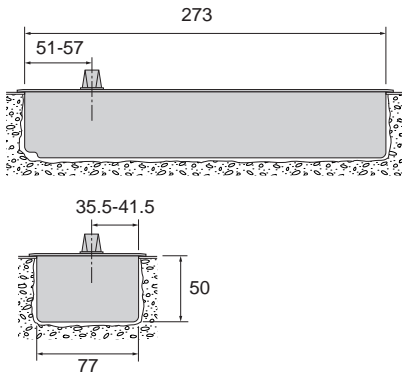
0	1	1	0	8	2	2	2	0	0
---	---	---	---	---	---	---	---	---	---

IDC				
EN1154:1996				



- Suitable for double/single action doors
- Opening and self closing angle $\pm 180^\circ$
- Hold open selectable between 60° – 170°
- Closing and latch speed adjustment
- Thermo constant braking -20 to +40 C
- Adjustable within the box
- Built in safety feature
- Solid stainless steel cover plate
- Operating voltage 24v

Concealed in floor door closers

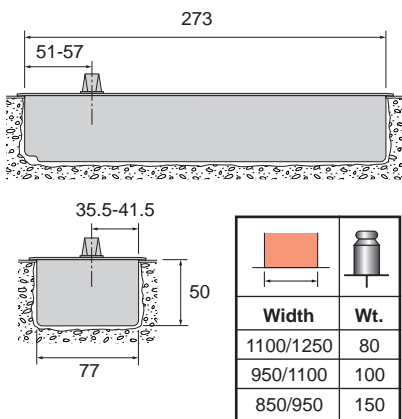


Floormate non hold open (fixed pivot)

Suitable for double action doors not exceeding 1000mm (width) and 100kg (weight). EN1154 size 3 maximum door weight 60kg, door width 950mm.
Specify for internal doors where basic speed control is required.

Typical Applications

Retrofit installations as a replacement closer when double action is required. On commercial new build specify for use on internal double action doors only i.e. cross corridor doors, kitchen to dining areas etc.

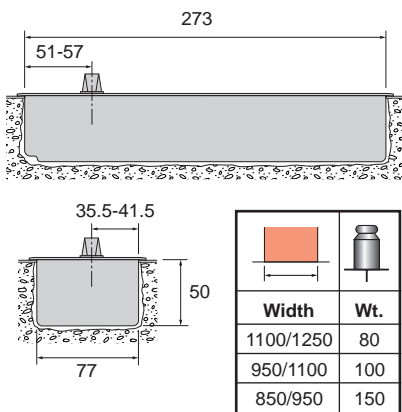


Floormaster non hold open (removable pivot)

Suitable for double and single action doors not exceeding manufacturers width/weight ratio (refer to chart). EN1154 size 3 maximum door weight 60kg, door width 950mm.
Specify for internal doors requiring positive latching.

Typical Applications

Optional spindles cater for different thicknesses of floor covering. Three speed control ensures satisfactory latching when used single action on doors fitted with electric strikes or access control equipment. This multi purpose floor spring can be specified for commercial internal and external doors requiring versatile closing speed control. Heavy pedestrian traffic.

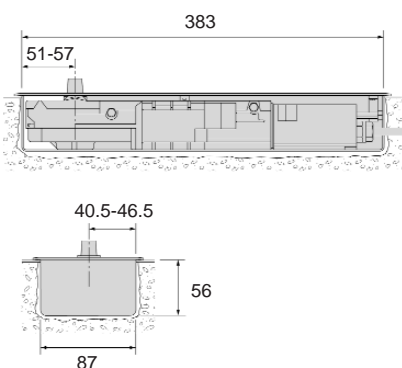


Floormaster hydraulic variable hold open (removable pivot)

Suitable for double and single action doors not exceeding manufacturers width/weight ratio (refer to chart). EN1154 size 3 maximum door weight 60kg, door width 950mm.
Specify where there is a need for doors to be held open.

Typical Applications

Main entrance and shop entrance doors requiring doors to be held open i.e. during summer periods and restored to self closing during winter periods. With the hold open facility in operation (valve turned clockwise) the hold open position can be selected between 70 and 180. With the hold open facility removed (valve turned anti clockwise) doors will return to self closing mode.



Floormaster electro magnetic variable hold open (removable pivot)

Suitable for double and single action doors not exceeding 930mm in width and 120kg in weight. EN1154 size 3 maximum door weight 60kg, door width 950mm.
Specify where there is a need for doors to be held open and released electrically.

Typical Applications

Internal commercial doors i.e. cross corridor doors, fire resistant doors that for convenience need to be held open but for security and safety reasons are required to self close on activation of a fire alarm or smoke sensor.

30 Series

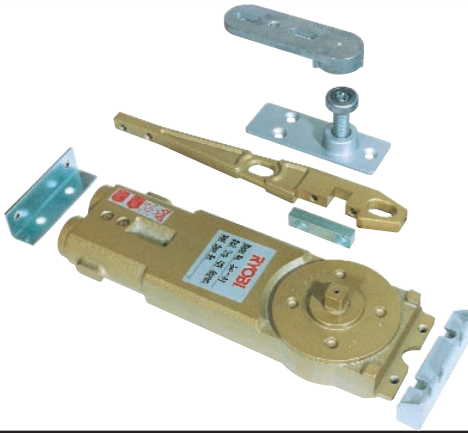
Code reference

0	1	3	0	3	1	0	0	0	0
---	---	---	---	---	---	---	---	---	---

N.H.O. (non hold open)

0	1	3	0	3	4	0	0	0	0
---	---	---	---	---	---	---	---	---	---

H.O. (hold open)



- Fully concealed in transom
- Easy and accurate speed adjustment
- Suitable for single/double action doors
- Durability in excess 1,000,000 door cycles
- Complete with side load accessories/pivot set, and fixing brackets
- End load accessory set option
- Max door opening 105°.

50 Series

Code reference

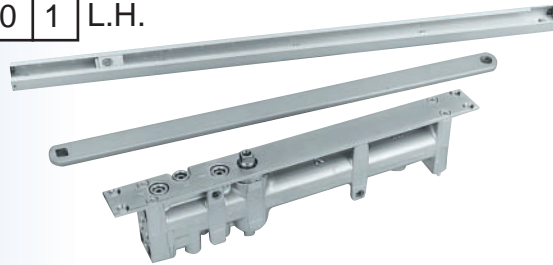
0	1	5	3	0	0	0	1	0	1
---	---	---	---	---	---	---	---	---	---

 R.H.

0	1	5	3	0	0	0	2	0	1
---	---	---	---	---	---	---	---	---	---

 L.H.

RYOBI	COU-50
EN1154:1996	



- Fully concealed in door and frame
- Fixed power size 3
- 3 speed controls
- Slim casting (28mm)
- Handed LH or RH
- For use in steel, aluminium and timber doors
- Max door opening angle adjustable after installation

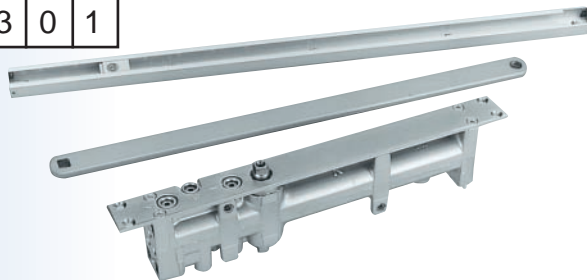
50 Series

Code reference

0	1	5	3	0	0	0	3	0	1
---	---	---	---	---	---	---	---	---	---

0	1	5	4	0	0	0	3	0	1
---	---	---	---	---	---	---	---	---	---

RYOBI	CO-50
EN1154:1996	



- Fully concealed in door and frame
- Fixed power size 3 or 4
- 2 speed controls
- Slim casting (36mm)
- Suitable for LH and RH doors
- For use in steel, aluminium and timber doors
- Max door opening angle adjustable after installation

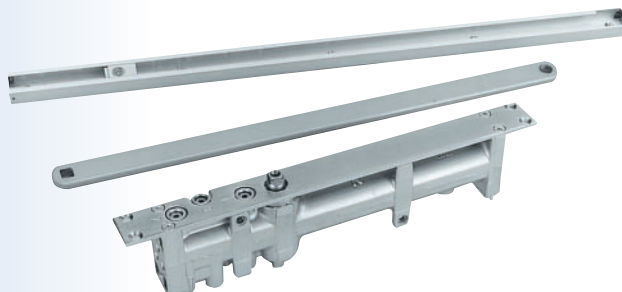
50 Series

Code reference

0	1	5	5	0	0	0	3	0	1
---	---	---	---	---	---	---	---	---	---

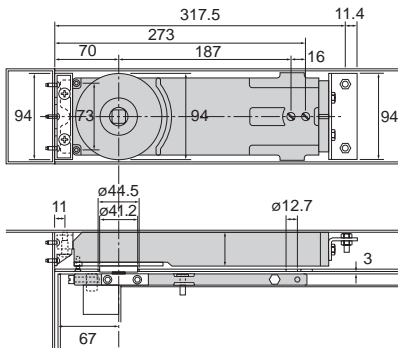
0	1	5	6	0	0	0	3	0	1
---	---	---	---	---	---	---	---	---	---

RYOBI	CO-50
EN1154:1996	



- Fully concealed
- Fixed power size 5 or 6
- 2 speed control
- Adjustable hydraulic back check function
- Handed LH or RH (specify)
- For use in steel, aluminium and timber doors
- Max door opening angle adjustable after installation

Concealed in door or transom closers



Ryobi 30-31

Maximum door width external 900mm internal 1050mm. Maximum door weight 110kg. Fixed power size 3 non hold open.

Specify for aluminium doors and frames of hollow construction.

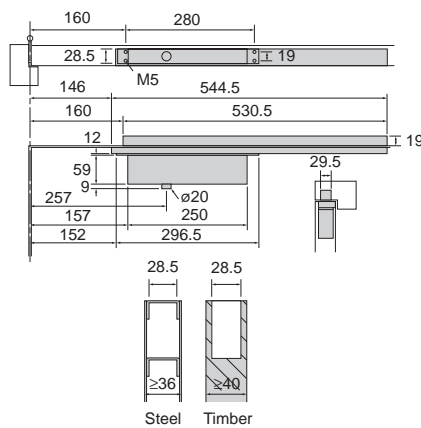
Ryobi 30-34

Maximum door width external 900mm internal 1050mm. Maximum door weight 110kg. Fixed power size 3 hold open at 90°.

Specify for aluminium doors and frames of hollow construction.

Typical Applications

Specifically engineered and designed for use in commercial applications eg shop/office entrances when doors and frames are fabricated in factory as part of the glazing system. Not recommended for timber door applications.



Ryobi COU-53

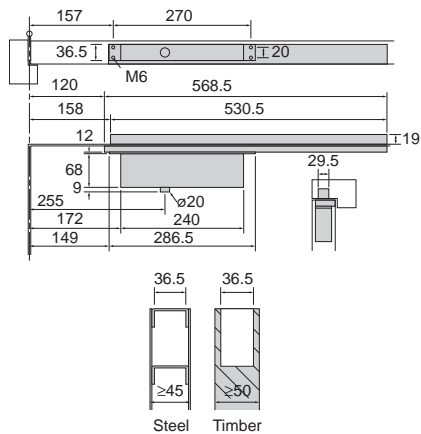
Suitable for door width 950mm, 2100mm in height.

Maximum door weight 65kg. Fixed power size 3 non hold open.

Specify for internal doors in protected areas i.e. hotel bedroom doors, flat entrance doors.

Typical Applications

Specifically designed for slim hotel bedroom doors (36mm steel) (40mm timber) and doors of a similar construction requiring discreet controlled door closing. Final latch speed adjustment assures positive latching.



Ryobi CO-53

Suitable for single action doors not exceeding door width 950mm, 2100mm in height. Maximum door weight 65kg. Fixed power size 3 non hold open.

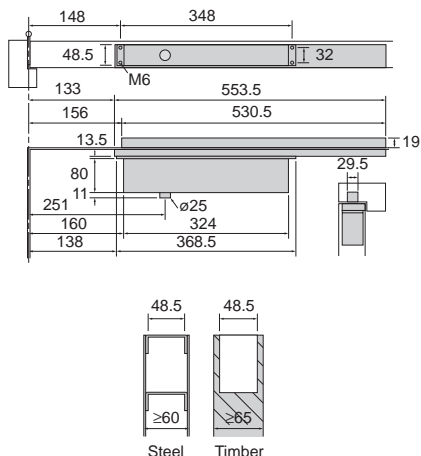
Ryobi CO-54

Suitable for single action doors not exceeding door width 1050mm, 2400mm in height. Maximum door weight 85kg. Fixed power size 4 non hold open.

Specify for internal doors where concealment reduces the risk of vandalism.

Typical Applications

Designed for internal doors (45mm steel) (50mm timber) where concealment enhances the overall appearance of the doorset. Dual speed control offers the facility to adjust closing and latch speeds independently achieving controlled door movement and positive latching.



Ryobi CO-55

Suitable for single action doors not exceeding door width 1200mm, 2400mm in height. Maximum door weight 120kg. Fixed power size 5 non hold open.

Ryobi CO-56

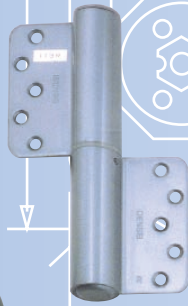
Suitable single action doors not exceeding door width 1800mm, 2700mm in height. Maximum door weight 180kg. Fixed power size 6 non hold open.

Specify for busy internal/external doors located in areas effected by external wind conditions.

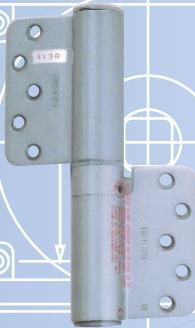
Typical Applications

Designed for internal and external doors (60mm steel) (65mm timber). Concealment within the door leaf reduces the temptation to vandalise or interfere with pre set closing and latching speeds. With closing and latch speeds adjusted the door moves from fully open to securely closed under full hydraulic control. Supplied as standard with adjustable hydraulic back check function. Door and hardware is protected and damage limited. Recommended for busy pedestrian doors located in areas vulnerable to the effects of air pressure changes and external wind conditions.

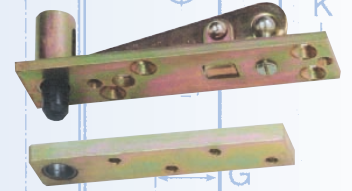
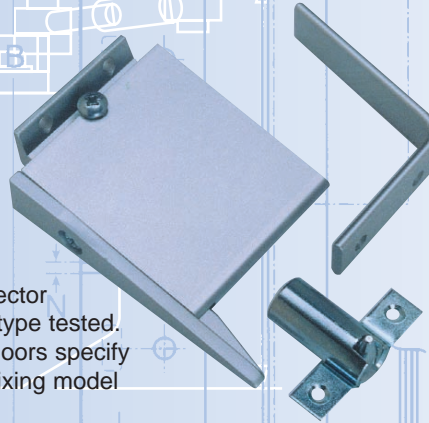
Ancillary Products



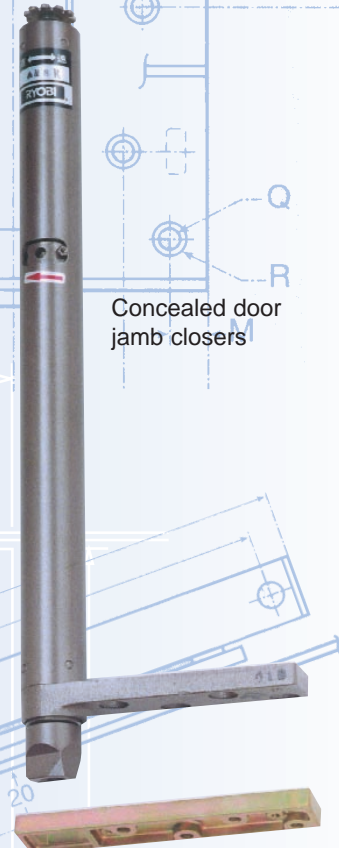
Electro magnetic hold open hinges



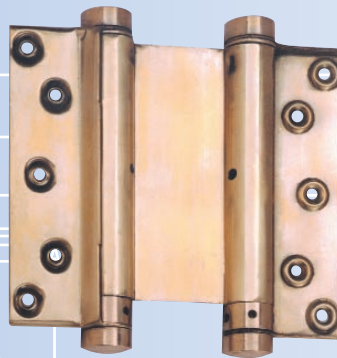
Door selector
EN1158 type tested.
For fire doors specify
surface fixing model



Concealed door jamb closers



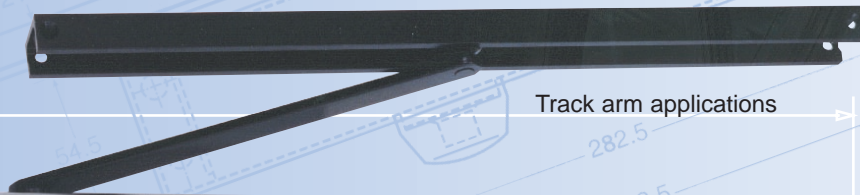
Double action spring hinges



Limiting stays



Track arm applications



International Door Controls

Unit 23, Timmis Road, Lye, Stourbridge,
West Midlands, DY9 7BQ

Telephone: +44 (0)1384 893333

Fax: +44 (0)1384 894837

E-mail: info@int-door-controls.com