



Infra-Red No Touch Exit Button



SURFACE MOUNTED



FLUSH MOUNTED



Infrared Technology



Adjustable Timer



Adjustable Range



High Quality Finish

DESCRIPTION

The Asec Infra-Red No Touch Exit button can be mounted using counter-sunk screws for a flush fitting. No touch required access control, simply wave your hand in front of the button to activate the sensor and operate the lock.

FEATURES

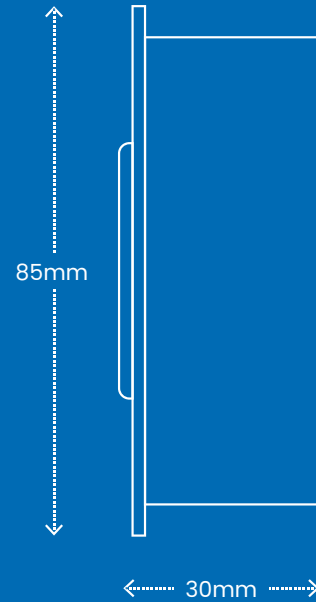
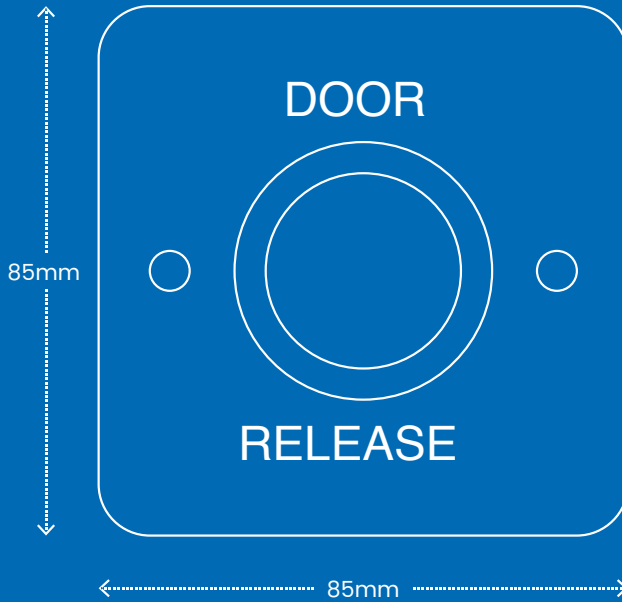
- Brushed Stainless Steel
- Legend: Door Release
- Change-over-contacts
- Available as Flush and Surface mounted options

CODE	MOUNTED	WIDTH	HEIGHT	DEPTH
AS10997	FLUSH	85MM	85MM	30MM
AS12217	SURFACE	85MM	85MM	30MM

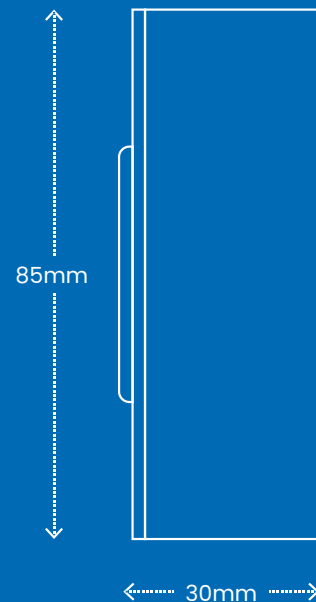
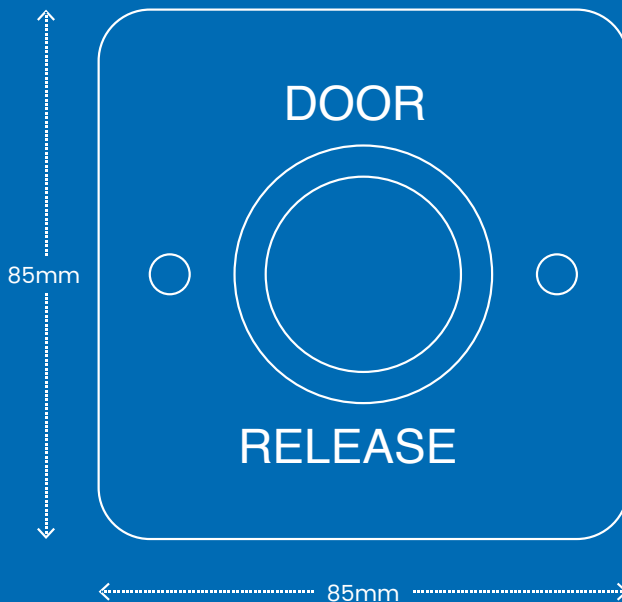


Infra-Red No Touch Exit Button

FLUSH MOUNTED



SURFACE MOUNTED



Available Exclusively From

Aldridge
Masters of Security Distribution

T 08444 125 101 (option 4)

W www.aldridgesecurity.co.uk

E access@aldridgesecurity.co.uk