

1. Prepare slots and pre-drill fixing holes. Avoid glazing rebates and reinforcement.
2. Fix vent and canopy using screws and attach screw covers. **DO NOT OVER TIGHTEN!**

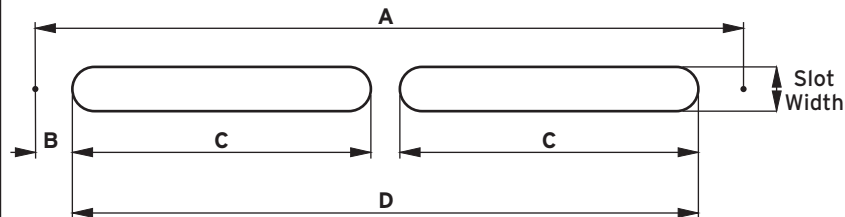
Recommended screws:

Vent: No.7 or No.8 countersunk head or equivalent.

Canopy: No.6 Pan head or equivalent.

We recommend use of Silicone sealant along the canopy sealant groove and when necessary on the underside of the ventilator.

| DIM | S13 2700EA Ventilator | C13 412 Canopy | S13 1700EA Ventilator | C13 267 Canopy |
|----------------|--|----------------|--|----------------|
| Product Length | 411 | 412 | 265 | 267 |
| Slot width | 13 | 13 | 13 | 13 |
| A | 387 | 387 | 242 | 242 |
| B | 10 | 10 | 9.5 | 9.5 |
| C | 173.5 | 173.5 | 223 | 223 |
| D | 367 | 367 | Single Slot | Single Slot |
| Performance | 2700mm ² EA** / 4000mm ² Free Area | | 1700mm ² EA** / 2000mm ² Free Area | |

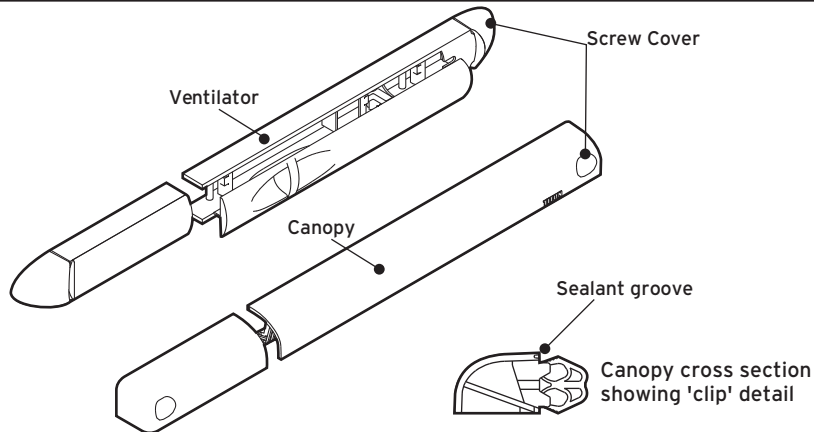


MARKETING DIVISION

International House, Peartree Road, Stanway, Colchester, Essex CO3 0JL

Tel: +44 (0) 1206 713800 Fax: +44 (0) 1206 543126 Web: www.titon.com

EA = Equivalent Area
All dimensions in mm unless otherwise stated
Any significant variation of the applications shown will affect the EA performance of the product combination
** Tested in accordance with BS:EN 13141-1 (2004)

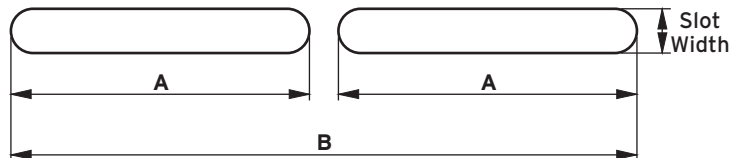


1. Prepare slots accurately. Avoid glazing rebates and reinforcement.

2. Clip on vent, and canopy, ensure screw covers are attached.

We recommend use of Silicone sealant along the canopy sealant groove and when necessary on the underside of the ventilator.

| DIM | S13 2700EA Ventilator | C13 412 Canopy | S13 1700EA Ventilator | C13 267 Canopy |
|----------------|--|----------------|--|----------------|
| Product Length | 411 | 412 | 265 | 267 |
| Slot width | 13 | 13 | 13 | 13 |
| A | 173.5 | 173.5 | 223 | 223 |
| B | 367 | 367 | Single Slot | Single Slot |
| Performance | 2700mm ² EA** / 4000mm ² Free Area | | 1700mm ² EA** / 2000mm ² Free Area | |



EA = Equivalent Area

All dimensions in mm unless otherwise stated

Any significant variation of the applications shown will affect the EA performance of the product combination

** Tested in accordance with BS:EN 13141-1 (2004)

MARKETING DIVISION

International House, Peartree Road, Stanway, Colchester, Essex CO3 0JL

Tel: +44 (0) 1206 713800 Fax: +44 (0) 1206 543126 Web: www.titon.com