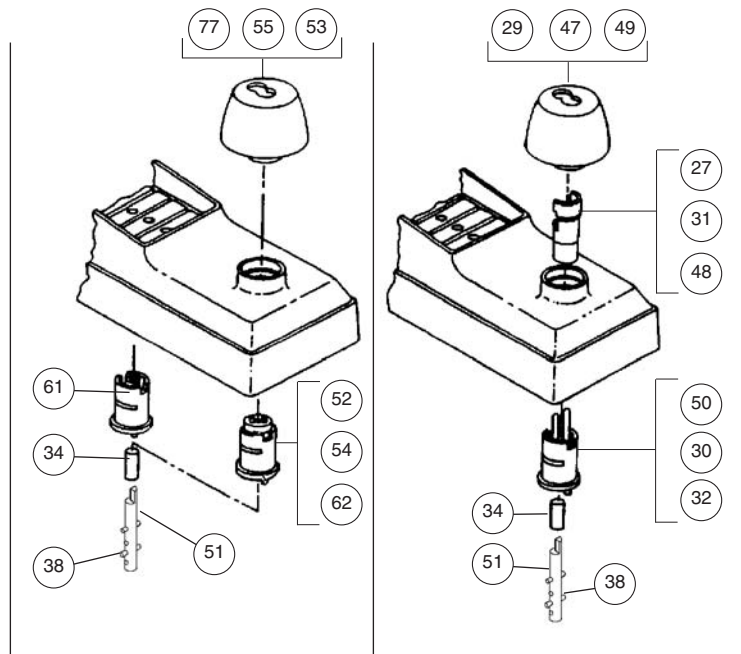
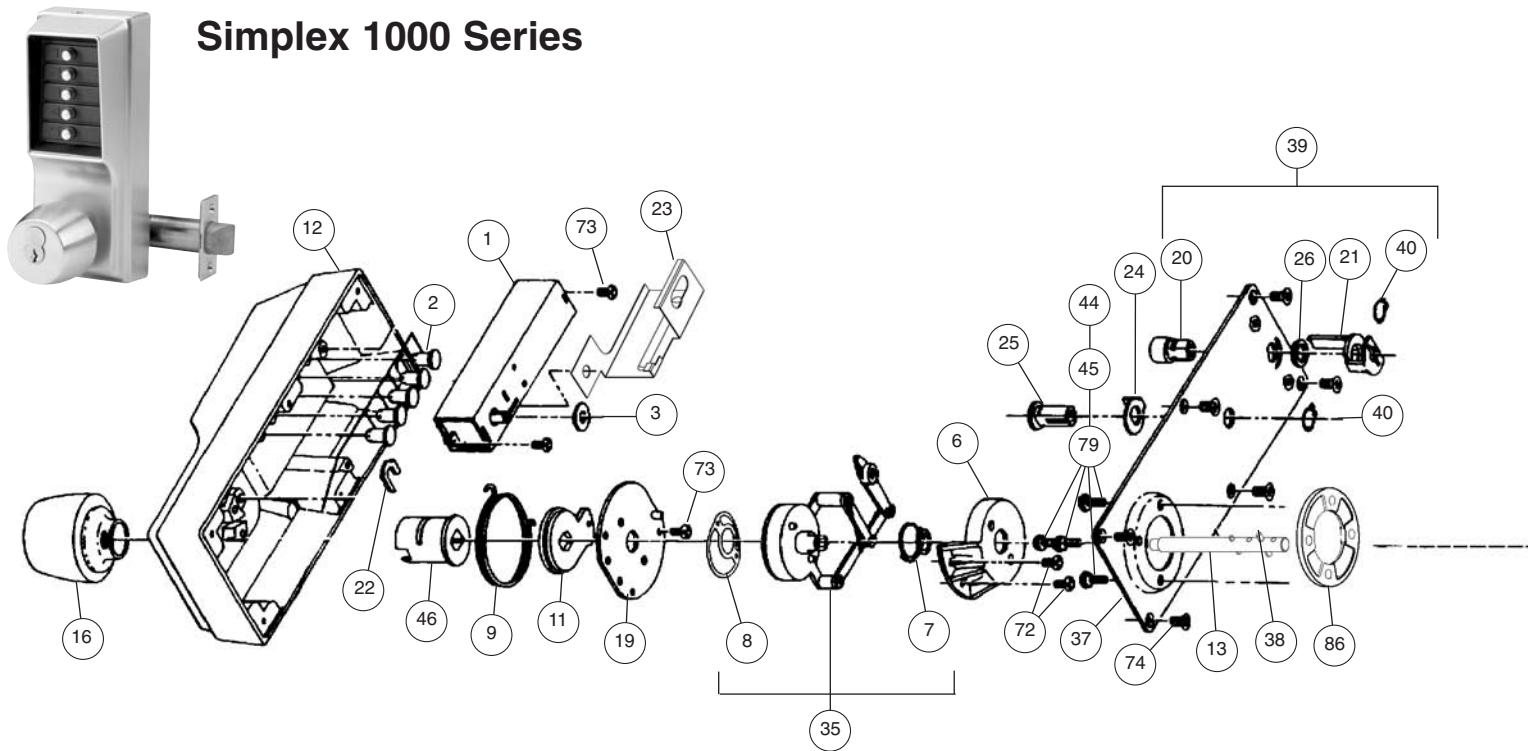




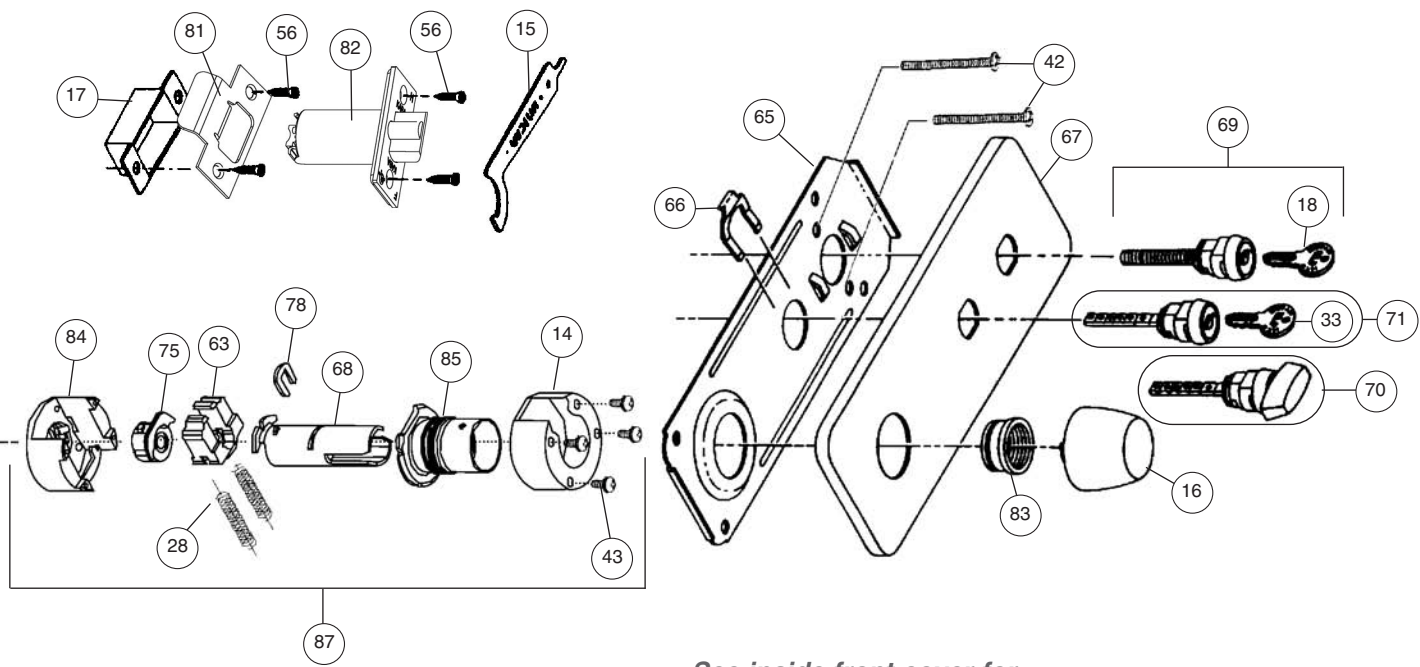
# Simplex 1000 Series



**Notes:** Older model locks used knob insert (27, 31, 48) to the right. Current production is more represented by model on left.

**Key Override Models:**  
 Medeco/ASSA/Yale  
 Schlage

**Key Override Models:**  
 Best & Equivalents  
 Corbin/Russwin  
 Sargent





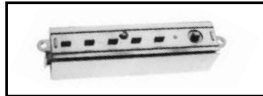

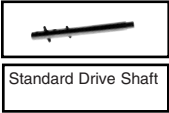



See inside front cover for  
How to Order instructions

### 1000 Series Service Kit

**Parts Included in Kit**

- Chamber Shaft Bushing
- Clutch Assembly
- Combination Chamber
- Drive Shaft (No Key Override)
- Drive Shaft (Key Override)
- Knob Return Spring
- Stop plate

**203035-000-01 \$125.00 each**

1000 Series Service Kit		
		
Clutch Assembly	K/O Drive Shaft	Combination Chamber
		
Knob Return Spring	Standard Drive Shaft	Stop Plate
		
Chamber Shaft Bushing	Chamber Shaft Bushing	

## 1000 Series (continued)

Item	Qty/Lock	Description	Finish	Part Number	List Prices (USD)
1	1	Combination Chamber M-56 / M-63 (Old # 201429-000-01)		74366-000-01	\$81.00
2	5	Pushbuttons (10 pack)	Black	200024-106-10	\$11.00
			Silver	200024-109-10	\$11.00
3	1	Shaft Bushing (5 pack)		200026-000-05	\$10.00
6	1	Clutch Cover Assembly		201009-000-01	\$11.00
7	1	Balance Spring (Includes 1 ea #7, #8)		201016-000-01	\$10.00
8	1	Double Wave Spring (Includes 1 ea #7, #8) (Replaced 201018-000-01)		201016-000-01	\$10.00
9	1	Knob Return Spring (Includes 1 ea #9, #11)		201040-000-01	\$10.00
11	1	Stop Plate Assembly (Includes 1 ea #9, #11)		201040-000-01	\$10.00
12	1	Front Housing	Satin Chrome	201049-26D-01	\$58.00
			Bright Chrome	201049-026-01	\$58.00
			Bright Brass	201049-03-01	\$58.00
			Antique Brass	201049-05-01	\$58.00
13	1	Standard Shaft Assembly Non Key Override		201050-000-01	\$10.00
14	1	Shoe Housing Cover		201277-000-01	\$9.00
15	1	Installation Wrench (spanner wrench) (Includes 1 ea #15, #18)		201278-000-01	\$9.00
16	1	Knob Assembly - No Key Override (Includes spacer) (Old number 201284)	Satin Chrome	34264-26D-01	\$40.00
			Bright Chrome	34264-026-01	\$40.00
			Bright Brass	34264-03-01	\$40.00
			Antique Brass	34264-05-01	\$40.00
17	1	Strike Box (Old Number 55068-000-01)		201287-000-01	\$8.00
18	2	DF-59 Key (Includes 1 ea #15, #18)		201278-000-01	\$9.00
19	1	Clutch Backing Plate		201304-000-01	\$8.00
20	1	Combination Change Stud (Includes 1 ea #20, #21, #26, #40)		201336-000-01	\$11.00
21	1	Combination Change Sleeve (Includes 1 ea #20, #21, #26, #40)		201336-000-01	\$11.00
22	1	Retainer Clip (For Front Knob) (5 pack)		201343-000-05	\$10.00
23	1	Chamber Release Kit (For models with passage set) (Includes 1 ea #23, #24, #25, #40)		201825-000-01	\$18.00
24	1	Chamber Release Cam Kit (For models with passage set) (Includes 1 ea #23, #24, #25, #40)		201825-000-01	\$18.00
25	1	Cam lever actuator stud; Bushing Kit (For models with passage set) (Includes 1 ea #23, #24, #25, #40)		201825-000-01	\$18.00
26	1	Combination Change Sleeve Washer (Includes 1 ea #20, #21, #26, #40)		201336-000-01	\$11.00
27	1	Knob Insert (Also fits Falcon / Arrow / Eagle / KSP / Lloyd Matheson) (used with 201382)		201365-000-01	\$15.00
28	2	Shoe Spring (For Cylindrical Drive Unit) (10 pack)		201366-000-10	\$9.00
29	1	Best Knob Key Override Assembly - (Also fits Falcon / Arrow / Eagle / KSP / Lloyd Matheson) Removable core not included (Old number 201382-000-01)	Satin Chrome	34263-26D-01	\$70.00
			Bright Chrome	34263-026-01	\$70.00
			Bright Brass	34263-03-01	\$70.00
			Antique Brass	34263-05-01	\$70.00
30	1	Best Drive Sleeve Assembly (Also fits Falcon / Arrow / Eagle / KSP / Lloyd Matheson) (Includes 1 ea #22, #30)		201391-000-01	\$27.00
31	1	Corbin / Russwin Knob Insert (used with 201523)		201414-000-01	\$15.00
32	1	Corbin / Russwin Drive Sleeve Assembly (Includes 1 ea #22, #30)		201421-000-01	\$27.00
33	2	Key DF-5 (For Models with passage set) (2 pack)		201422-000-02	\$7.00
34	1	Shaft Self-aligning Bushing (For Models 1021 & 1041)		201425-000-01	\$9.00
35	1	Clutch Sub-assembly (Includes 1 ea #7, #8, #35)		201430-000-01	\$34.00
38	1	Roll Pin (Upper Pin) 0.100" (2.5 mm) dia. (Includes 1 ea #38, #57; 2 ea #42, #86; 4 ea #44, #45, #56, #79)	Satin Chrome	204210-26D-01	\$10.00
			Bright Chrome	204210-03-01	\$10.00
			Antique Brass	204210-05-01	\$10.00
39	1	Back Plate Sub-assembly (Includes 1 ea #20, #21, #26, #37, #40)		201439-000-01	\$21.00
40	2	Retainer Ring 3/8" (9 mm) (For passage set and combination change sleeve) (10 pack)		201440-000-10	\$6.00
42	2	Screw 8-32 x 2 1/2" (64 mm) (For mounting lock to door) (Includes 1 ea #38, #57; 2 ea #42, #86; 4 ea #44, #45, #56, #79)	Satin Chrome	204210-26D-01	\$10.00
			Bright Brass	204210-03-01	\$10.00
			Antique Brass	204210-05-01	\$10.00
43	4	Sems Screw Phillips 6-32 x 1/4" (6 mm) R.H.M.S. (For shoe housing cover)		201446-000-10	\$7.00
44	4	Sems Screw Phillips 8-32 x 7/16" (11 mm) R.H.M.S. (For spacer) (Includes 1 ea #38, #57; 2 ea #42, #86; 4 ea #44, #45, #56, #79)	Satin Chrome	204210-26D-01	\$10.00
			Bright Brass	204210-03-01	\$10.00
			Antique Brass	204210-05-01	\$10.00
45	4	Sems Screw, Phillips 8-32 x 1 1/4" (17 mm) R.H.M.S. (For spacer) (Includes 1 ea #38, #57; 2 ea #42, #86; 4 ea #44, #45, #56, #79)	Satin Chrome	204210-26D-01	\$10.00
			Bright Brass	204210-03-01	\$10.00
			Antique Brass	204210-05-01	\$10.00
46	1	Drive Sleeve Assembly - No Key Override (Old # 201062-045-01) (Includes 1 ea #22, #46)		201499-000-01	\$17.00

# 1000 Series (continued)

Item	Qty/Lock	Description	Finish	Part Number	List Prices (USD)
47	1	Corbin / Russwin Knob Key Override Assembly Removable core not included (Old #201523) (Includes Spacer)	Satin Chrome	34265-26D-01	\$70.00
			Bright Chrome	34265-026-01	\$70.00
			Bright Brass	34265-03-01	\$70.00
			Antique Brass	34265-05-01	\$70.00
48	1	Sargent Knob Insert (used with 201526)		201524-000-01	\$15.00
49	1	Sargent Knob Key Override Assembly (Old #201526) Removable core not included (Includes Spacer)	Satin Chrome	34266-26D-01	\$70.00
			Bright Chrome	34266-026-01	\$70.00
			Bright Brass	34266-03-01	\$70.00
			Antique Brass	34266-05-01	\$70.00
50	1	Sargent Drive Sleeve Assembly (Includes 1 ea #22, #50)		201530-000-01	\$27.00
51	1	Key Override Shaft Assembly (Old #201267-045-01)		201547-000-01	\$11.00
52	1	Medeco / ASSA / Yale Drive Sleeve Assembly (Use spacer # 201569 and #203054 for 5-6pin Medeco / ASSA cylinders) (Includes 1 ea #22, #52)		201548-000-01	\$49.00
53	1	Medeco / ASSA / Yale Knob Key Override Assembly. Removable core not included. (Use spacer #201569 and #203054 for 5-6pin Medeco / ASSA cylinders) (old # 201517)	Satin Chrome	34268-26D-01	\$70.00
			Bright Chrome	34268-026-01	\$70.00
			Bright Brass	34268-03-01	\$70.00
			Antique Brass	34268-05-01	\$70.00
54	1	Schlage Drive Sleeve Assembly (Old # 201559-045-01) (Includes 1 ea #22, #54)		201555-000-01	\$49.00
55	1	Schlage Knob Key Override Assembly. Removable core not included	Satin Chrome	34267-26D-01	\$70.00
			Bright Chrome	34267-026-01	\$70.00
			Bright Brass	34267-03-01	\$70.00
			Antique Brass	34267-05-01	\$70.00
56	4	Combination Screw; Phillips 8-32 x 3/4" (19 mm) (For Latch & Strike Plate) (10 pack)	Satin Chrome	201565-26D-10	\$10.00
			Bright Brass	201565-03-10	\$10.00
			Antique Brass	201565-05-10	\$10.00
57	1	Rubber Bumper (For Door Frame) (Self adhesive strip of 4) (5 pack)		201568-000-05	\$10.00
58	1	Medeco Knob Spacer (For 5 and 6-pin Medeco / ASSA)		201569-000-01	\$15.00
62	1	ASSA Drive Sleeve Assembly (Includes 1 ea #22, #62)		201609-000-01	\$49.00
63	1	Shoe (Old # 201272-000-01)		201723-000-01	\$10.00
64	1	Unified Trim Plate - Standard (Not shown in exploded view)	Satin Chrome	201736-26D-01	\$28.00
			Bright Chrome	201736-026-01	\$28.00
			Bright Brass	201736-03-01	\$28.00
			Antique Brass	201736-05-01	\$28.00
65	1	Reinforcing Plate		201738-000-01	\$11.00
66	1	Spring Clip (For passage set) (10 pack)		201740-000-10	\$10.00
67	1	Unified Trim Plate (For Passage set Models)	Satin Chrome	201745-26D-01	\$28.00
			Bright Chrome	201745-026-01	\$28.00
			Bright Brass	201745-03-01	\$28.00
			Antique Brass	201745-05-01	\$28.00
68	1	Inside Sleeve Assembly (Includes 1 ea #68, #78) (Old #201275-045-01)		201782-000-01	\$13.00
69	1	Combination Change Plug Assembly with (2) DF59 keys	Satin Chrome	201787-26D-01	\$14.00
			Bright Brass	201787-03-01	\$14.00
			Antique Brass	201787-05-01	\$14.00
70	1	Passage Set Thumb Turn Plug Assembly	Satin Chrome	201807-26D-01	\$15.00
			Bright Brass	201807-03-01	\$15.00
			Antique Brass	201807-05-01	\$15.00
71	1	Passage Set Key Turn Plug Assembly (with (2) DF5 keys)	Satin Chrome	201818-26D-01	\$15.00
			Bright Brass	201818-03-01	\$15.00
			Antique Brass	201818-05-01	\$15.00
72	2	Sems Screw Phillips 6-32 x 7/16" (11 mm) R.H.M.S. (For clutch cover) (Includes 10 ea. #72, #73, #74)		64776-000-01	\$10.00
73	2	Sems Screw Phillips 6-32 x 5/16" (8 mm) R.H.M.S. (For combination chamber & clutch backing plate) (Includes 10 ea. #72, #73, #74)		64776-000-01	\$10.00
74	6	Screw - Phillips 6-32 x 3/8" (10 mm) F.H.M.S. (For back plate) (Replaces 201444-022-10) (Includes 10 ea. #72, #73, #74)		64776-000-01	\$10.00
75	1	Drive Insert (Old # 201218-000-01)		204015-000-01	\$21.00
78	1	Retainer Clip (For Inside Knob) (5 pack)		204120-000-05	\$10.00
79	4	Sems Screw Phillips 8-32 x 5/16" (5 mm) R.H.M.S. (For spacer) (Old # 201449) (Includes 1 ea #38, #57; 2 ea #42, #86; 4 ea #44, #45, #56, #79)	Satin Chrome	204210-26D-01	\$10.00
			Bright Brass	204210-03-01	\$10.00
			Antique Brass	204210-05-01	\$10.00
80	1	Spacer (Passage Feature for 1031 + 1041 Models) (Not shown in exploded view) (10 pack)		204160-000-10	\$10.00
81	1	Standard "T" Strike Plate (Old # 201288 or 204167)	Satin Chrome	204227-26D-01	\$9.00
			Bright Brass	204227-03-01	\$10.00
			Antique Brass	204227-05-01	\$9.00
			Bright Chrome	204227-026-01	\$10.00



## 1000 Series (continued)

Item	Qty/Lock	Description	Finish	Part Number	List Prices (USD)
82	1	1/2" (13 mm) Floating Front Throw Latch 2 3/4" (70 mm) Backset	Satin Chrome	204168-26D-01	\$31.00
			Bright Brass	204168-03-01	\$31.00
			Antique Brass	204168-05-01	\$31.00
83	1	Thread Ring (Old # 201282)	Satin Chrome	204169-26D-01	\$11.00
			Bright Brass	204169-03-01	\$11.00
			Antique Brass	204169-05-01	\$11.00
84	1	Shoe Retainer and Bridge Assembly		204199-000-01	\$33.00
85	1	Shoe Retainer Cap Assembly	Satin Chrome	204200-26D-01	\$27.00
			Bright Chrome	204200-026-01	\$27.00
			Bright Brass	204200-03-01	\$27.00
			Antique Brass	204200-05-01	\$27.00
86	1	1/4" Spacer, Door Thickness Kit (Includes 1 ea #38, #57; 2 ea #42, #86; 4 ea #44, #45, #56, #79)	Satin Chrome	204210-26D-01	\$10.00
			Bright Brass	204210-03-01	\$10.00
			Antique Brass	204210-05-01	\$10.00
87	1	Cylindrical Drive Unit Assembly (Includes 1 ea. #14, #63, #68, #75, #78, #84, #85; 2 ea #28; 4 ea #43)	Satin Chrome	204202-26D-01	\$94.00
			Bright Chrome	204202-026-01	\$94.00
			Bright Brass	204202-03-01	\$94.00
			Antique Brass	204202-05-01	\$94.00
88	1	Back Plate Assembly (Includes 1 ea #39, #86, #87; 4 ea #44) (Not shown in exploded view)	Satin Chrome	204203-26D-01	\$106.00
			Bright Brass	204203-03-01	\$106.00
			Antique Brass	204203-05-01	\$106.00
89	1	Screw Pack (Includes 1 ea #38, #57; 2 ea #42, #86; 4 ea #44, #45, #56, #79) (Not shown in exploded view)	Satin Chrome	204210-26D-11	\$10.00
			Bright Brass	204210-03-11	\$10.00
			Antique Brass	204210-05-11	\$10.00
90	1	Installation Hardware Kit (Includes 1 ea #15, #17, #69, #81, #83, #89; 2 ea #86) (Not shown in exploded view)	Satin Chrome	204211-26D-11	\$35.00
			Bright Brass	204211-03-11	\$35.00
			Antique Brass	204211-05-11	\$35.00

## 1000 Series Parts

Description	Finish	Part Number	List Prices (USD)
Lubriplate Aero Grease Tubes		64754-000-01	\$12.00
3/4" (19mm) Brass Latch - carries 3-hour UL/ULC fire rating for "A" labeled doors. 2 3/4" (70 mm) backset. Beveled front.	Bright Brass	201144-03-01	\$53.00
	Antique Brass	201144-05-01	\$50.00
	Satin Chrome	201144-26D-01	\$50.00
Best Equivalent Removable Core Cylinder (Sold international only, not available for U.S.)	Bright Brass	201484-03-01	\$44.00
	Antique Brass	201484-05-01	\$42.00
	Satin Chrome	201484-26D-01	\$42.00
3/4" (19 mm) Flat Front Latch - carries 3-hour UL/ULC fire rating for "A" labeled doors. 2 3/4" (70 mm) backset	Bright Brass	201605-03-01	\$53.00
	Antique Brass	201605-05-01	\$50.00
	Satin Chrome	201605-26D-01	\$50.00
ASA Roller Strike (For 4 7/8" (105 mm) long cutout) (old #1000-14-26D)	Bright Brass	201821-03-01	\$36.00
	Antique Brass	201821-05-01	\$34.00
	Satin Chrome	201821-26D-01	\$34.00
3/4" (19 mm) Brass Latch - carries 3-hour UL/ULC fire rating for "A" labeled doors. 2 3/4" (70 mm) backset. Beveled front. (For L1076 privacy Model only)	Bright Brass	204004-03-01	\$53.00
	Antique Brass	204004-05-01	\$50.00
	Satin Chrome	204004-26D-01	\$50.00
ASA Strike (For 4 7/8" (105 mm) long cutout) (Old # 201413 or 1000-15-26D)	Bright Brass	204119-03-01	\$10.00
	Antique Brass	204119-05-01	\$9.00
	Satin Chrome	204119-26D-01	\$9.00
1/2" (13 mm) Brass Latch - carries 3-hour UL/ULC fire rating for "A" labeled doors. 2 3/4" (70 mm) backset. Floating front face. (old # 55071)	Satin Chrome	204168-26D-01	\$31.00
	Bright Brass	204168-03-01	\$31.00
	Antique Brass	204168-05-01	\$31.00
1/2" (13 mm) Brass Latch - carries 3-hour UL/ULC fire rating for "A" labeled doors. 2 3/4" (70 mm) backset. Fixed beveled front face.	Satin Chrome	55071-26D-01	\$31.00
	Bright Brass	55071-03-01	\$31.00
	Antique Brass	55071-05-01	\$31.00

Removable core cylinders are not included. Best equivalent core is available – see above.

Note: Lubriplate Aero grease is the "only" lubricant that should be used.

## 1000 Series Knob *(continued)*

### Conversion Assemblies

Use these conversion assemblies to convert an existing 1000 Series lock from standard to key override, or from one key override to another.

Description	Finish	Part Number	List Prices (USD)
Corbin / Russwin Conversion Assembly (C) (Includes 1 ea #22, #32, #34, #47, #51)	Satin Chrome	201417-26D-01	\$125.00
	Bright Chrome	201417-026-01	\$131.00
	Bright Brass	201417-03-01	\$131.00
	Antique Brass	201417-05-01	\$125.00
Best / Falcon / Arrow / Eagle / KSP / Lloyd Matheson Conversion Assembly (B) (Includes 1 ea #22, #29, #30, #34, #51)	Satin Chrome	201490-26D-01	\$125.00
	Bright Chrome	201490-026-01	\$131.00
	Bright Brass	201490-03-01	\$131.00
	Antique Brass	201490-05-01	\$125.00
ASSA / Medeco / Yale Conversion Assembly-Request Spacer 201569 for 5-pin Medeco. (M) (Includes 1 ea #22, #34, #51, #52, #53)	Satin Chrome	201519-26D-01	\$125.00
	Bright Chrome	201519-026-01	\$131.00
	Bright Brass	201519-03-01	\$131.00
	Antique Brass	201519-05-01	\$125.00
Sargent Conversion Assembly (R) (Includes 1 ea #22, #34, #49, #50, #51)	Satin Chrome	201532-26D-01	\$125.00
	Bright Chrome	201532-026-01	\$131.00
	Bright Brass	201532-03-01	\$131.00
	Antique Brass	201532-05-01	\$125.00
Schlage Conversion Assembly (S) (Includes 1 ea #22, #34 #51, #54, #55)	Satin Chrome	201558-26D-01	\$125.00
	Bright Chrome	201558-026-01	\$131.00
	Bright Brass	201558-03-01	\$131.00
	Antique Brass	201558-05-01	\$125.00

### Time Mode Option Replacement Parts

Pneumatic Timer with Microswitch	200210-000-01	\$117.00
Modified Chamber Link	201575-000-01	\$22.00
Pneumatic Timer without Microswitch	201577-000-01	\$90.00
Spacer	201578-000-01	\$5.00
Modified Cover Plate Assembly	201580-000-01	\$31.00