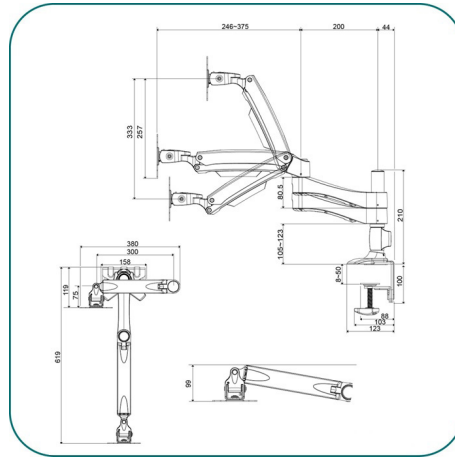


AAVARA free style clamp stand for 2 flat screens 15 to 24



DESCRIPTION

Free-style Dual LED Clamp-based stand with cable management. With the wide angle of - 20~90 degree Tilt, +/- 90 degree arm swivel and a 360 degree rotation, it gives you the best viewing angles for screens. It supports VESA 100 x 100/75 x 75mm display and ExperTorque (TM) technology enables adjustment of the screens hinged by its weight.

Product features:

- Designed for dual LED/LCD display 15-24" / 38-61 cm
- Screen orientation: portrait/ landscape
- Material: steel/ aluminum alloy and plastic
- VESA mounting: 75x75 / 100x100
- Maximum load: 10 kg/ 22 lbs per screen
- Dual monitor clamp stand with 4 arms and 4 pivot points
- Tilting angle: -20(down)~90(up) degree for ideal viewing angle
- Cable management system
- Supports ExperTorque (TM) Technology for easy adjustment
- Monitor rotation: 90°
- Screw type: M4

TECHNICAL CHARACTERISTICS

Brand : AAVARA

Part number : AC742

Mount :

Type : Office

Desktop mounting type : Clamped-on

Floor-mounting : -

Vertical angle : -20 to +90 degree

Horizontal angle : +/-90°

Rotation angle : 90°

Colour : Black and silver

Wall/ Screen distance (mm) : -

Material : Steel / Aluminum

Height : Up to 123 mm

Locking system : No

Cable management system : Yes

PTZ : No

Monitor :

Number of screens : 2

Min. VESA dimensions : 75 x 75

Max. VESA dimensions : 100 x 100

Screen weight (Kg) : 10

Screen diagonal : 15 to 24"

Included :

Screw set : Yes

Spirit level : No