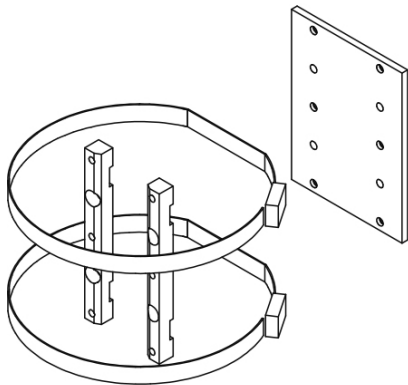


BOSCH MIC-PMB



DESCRIPTION

Pole mount bracket (includes 2 x 455 mm stainless steel banding straps for pole diameters 75 to 145 mm).

The MIC pole mount bracket (MIC-PMB) is designed to work with a shallow conduit adapter (MIC-SCA) and a wall mount bracket (MIC-WMB) to allow MIC Series cameras to be mounted on lamp posts, scaffolding, and other nonstandard mounting posts. The pole mount bracket is machined from clear anodized aluminum and has with two large worm drive clips for attachment to a wide range of pole diameters.

TECHNICAL CHARACTERISTICS

Brand : BOSCH

Part number : MIC-PMB

Depth : 160 mm

Height : 9.5 mm

Material : Stainless steel

Weight : 1.7 kg

Width : 127 mm