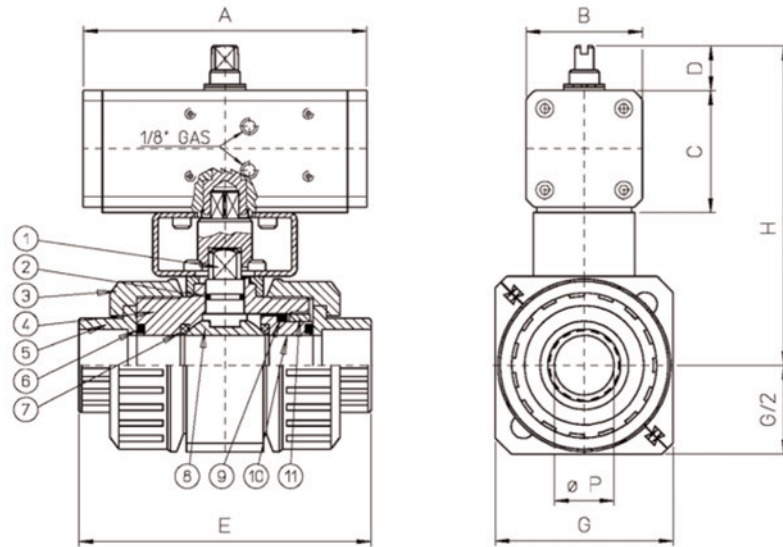


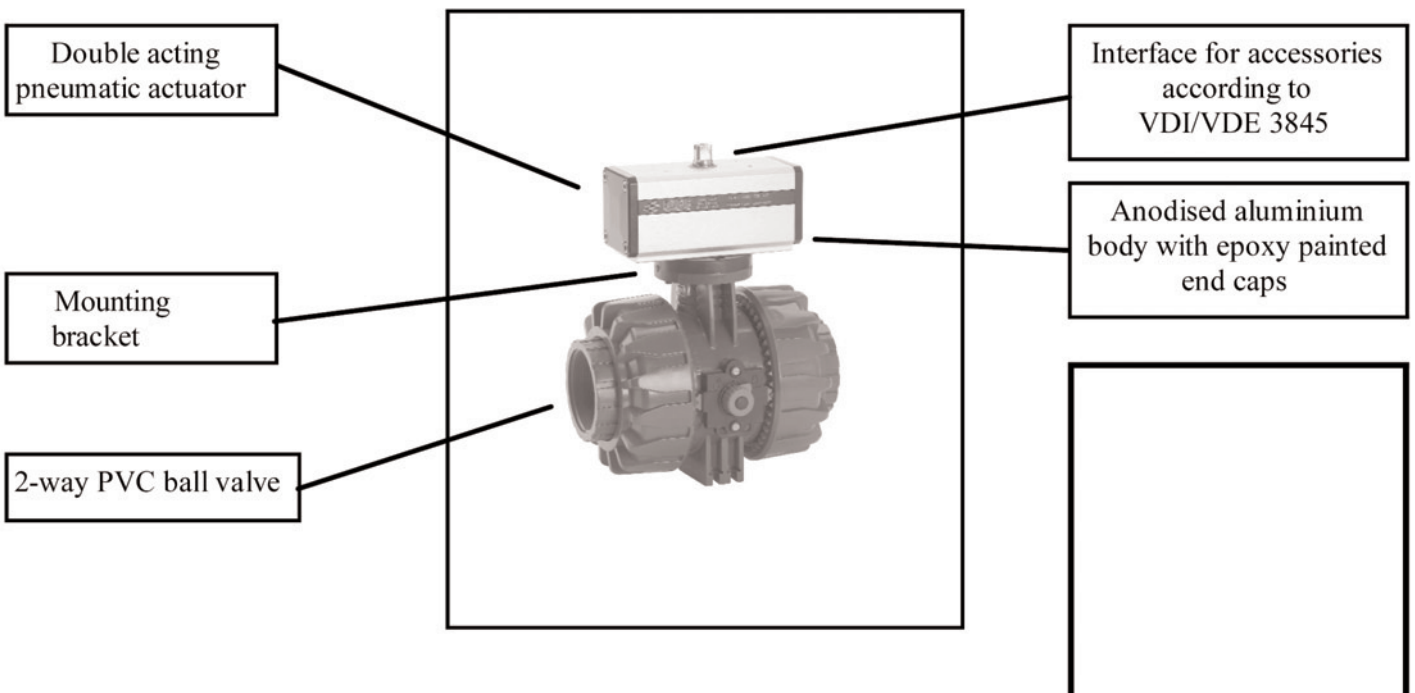
D612 - D614

Double Acting Pneumatic Actuator and Two Way PVC Ball Valve



DIMENSIONS

Part Reference	THREADED	D612H003	D612H004	D612H005	D612H006	D612H007	D612H008	D612H009	D612H010	D612H011	D612H012
Part Reference	BONDED	D614H083	D614H084	D614H085	D614H086	D614H087	D614H088	D614H089	D614H090	D614H091	D614H092
ACTUATOR TYPE		DA015401	DA015401	DA015401	DA015401	DA015401	DA030401	DA030401	DA045401	DA060401	DA090401
Port Size	BSP	3/8"	1/2"	3/4"	1"	1 1/4"	1 1/2"	2"	2 1/2"	3"	4"
Pipe size to be bonded	mm	16	20	25	32	40	50	63	75	90	110
A	mm	115	115	115	115	115	130	130	144	152	169
B	mm	48	48	48	48	48	55	55	60	65	72
C	mm	52.0	52.0	52.0	52.0	52.0	60.0	60.0	65.7	70.0	77.5
D	mm	20	20	20	20	20	20	20	20	20	20
E threaded	mm	103	112	122	130	152	157	187	236	270	309
E bonded	mm	103	103	115	128	146	164	199	235	270	308
G	mm	54	54	65	73	86	98	122	164	203	238
H	mm	130.0	130.0	145.5	146.0	169.0	184.0	194.0	204.7	222.0	247.5
Weight	Kg	0.90	0.90	1.00	1.14	1.33	1.83	2.44	5.15	8.06	11.85



D611 - D613

Double Acting Pneumatic Actuator and Two Way PVC Ball Valve

Actuator Features

- Quarter turn double acting pneumatic actuator
- Scotch yoke design
- Temperature range 0°C to +80°C (-20°C to +80°C with dry air)
- Air supply 5.6 Bar; maximum working pressure 8.4 Bar
- Operating media: compressed filtered air. In case of lubricated air, either non-detergent oil or NBR compatible oil must be used.

Valve Features

- 2-way PVC ball valve for use with chemicals, food industry, water.
- Working pressure (see graph below)
- Max working temperature 0°C to +60°C
- BSP or bonded ends

Options

- Switch box or mechanical switches (weatherproof, explosion proof, intrinsically safe)
- 5/2 NAMUR solenoid valve (weatherproof, explosion proof, intrinsically safe)
- Positioner (3-15psi, 0-10V or 4-20mA)
- Manual override gearbox
- Visual position indicator
- Epoxy coated actuator

VALVE MATERIALS

1) Shaft	PVC	
2) O-Ring	EPDM	
3) Nut ring	PVC	
4) Body	PVC	
5) End	PVC	
6) O-Ring	EPDM	
7) Ball sealing	P.T.F.E.	
8) Ball	PVC	
9) O-Ring	EPDM	
10) Ball sealing support	PVC	
11) Ring	PVC	

