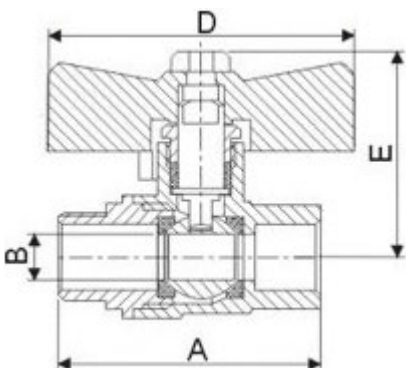
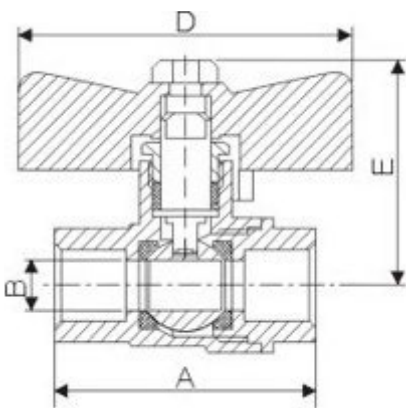


Ball Valves, Red T Handle

Technical Features:

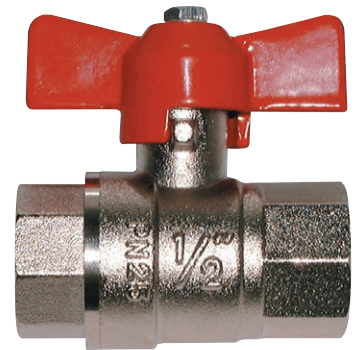
Suitable for domestic water services, heating and air-conditioning plants, and compressed air systems.

- Working temperature: -10°C to +60°C
- Maximum working pressure: 25 bar
- Available in sizes from 1/4" to 1"

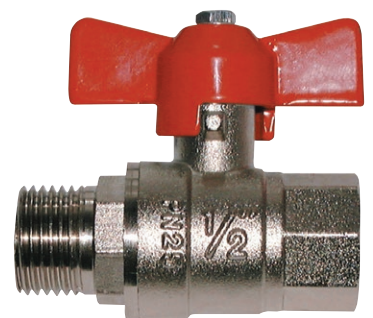


Materials:

- Valve body: CW617N
- Seal: PTFE
- Handle: aluminium
- Stem: brass
- Ball: hard chrome-plated brass
- Stem seal: brass
- O-ring: PTFE



Female x Female, BSPP					
Part Number	2024-1915	2024-1923	2024-1949	2024-1964	2024-1980
Size	1/4"	3/8"	1/2"	3/4"	1"
DN	8	10	15	20	25
A	41.8	45	53	61	69
B	8	10	14	19	23
D	53.5	52	52	52	62
E	36.5	37	39	41.5	50



Male x Female, BSPP					
Part Number	2024-2079	2024-2087	2024-2095	2024-2103	2024-2111
Size	1/4"	3/8"	1/2"	3/4"	1"
DN	8	10	15	20	25
A	52	55	53	61	69
B	8	10	14	19	23
D	53.5	52	52	52	62
E	36.5	37	39	41.5	50