

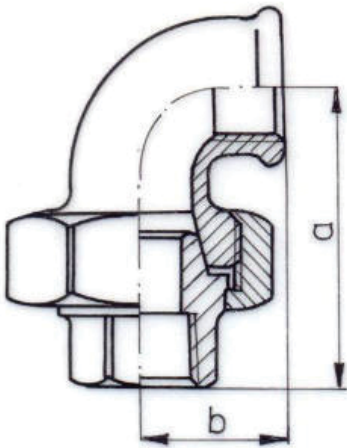
UNION ELBOW, TAPER SEAT

PN, EN, ISO
CATALOGUE INTERNATIONAL

UA11
96



96/10



| Dimension [inch] | Weight of carton [kg] | | Quantity in carton [pc.] | Dimension [mm] | |
|---------------------|-----------------------|------|--------------------------------|----------------|----|
| | black | galv | | a | b |
| 3/8 | 12,6 | 13,1 | 80 | 52 | 25 |
| 1/2 | 17,4 | 18,1 | 60 | 58 | 28 |
| 3/4 | 16,4 | 17 | 45 | 62 | 33 |
| 1 | 21,2 | 22 | 45 | 72 | 38 |
| 1 1/4 | 20,9 | 21,4 | 25 | 82 | 45 |
| 1 1/2 | 19,7 | 20,5 | 20 | 90 | 50 |
| 2 | 22,9 | 23,7 | 15 | 100 | 58 |