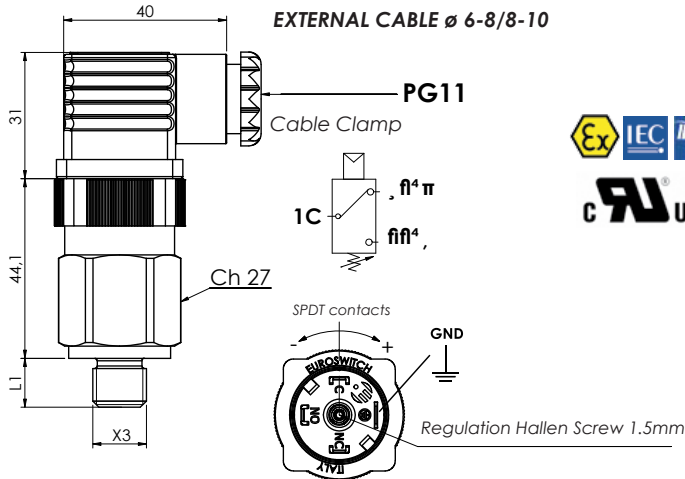


# Diaphragm Pressure Switch with SPDT Contacts



Version ATEX / IECEx available on request

Version UL 508 FILE N° E478896 CSA C22.2.NO.14-13 available on request

Part Number	Setting range bar	Tolerance at 20°C bar
49 2 ▲ ● ■ 0	0.3 - 1.5	± 0.15
49 2 ▲ ● ■ 1	1 - 5	± 0.3
49 2 ▲ ● ■ 2	1 - 12	± 0.5
49 2 ▲ ● ■ 3	10 - 60	± 2

▲ Material Case	● Threads (X3)	L1 (mm)	■ Diaphragms
0 Zinc plated steel case	1 1/8" Gas conical	10	1 NBR
1 Brass	2 1/4" Gas conical	12	2 FKM (standard)
2 Stainless steel AISI 316 *	3 M10x1K conical	10	3 EPDM CH
5 Stainless steel AISI 303 *	4 M12x1.5 cylindrical	9	4 CR
* Standard G1/4" cylindrical	H 1/4" Gas cylindrical	12	5 Silicon
	G 1/8" Gas cylindrical	10	6 HNBR

For UL version add U at the end of the code Example: 49 ▲ ● ■ 2 2 U

<b>Electric contacts</b>	Silver	
<b>Regulation Screw</b>	Allen Key 1.5 mm	
<b>Max Fluid Temperature</b>	80° to 120° depending on diaphragm	
<b>Electrical Condition</b>	SPDT (exchange contact)	
<b>Electrical Characteristics</b>	5 (4) A / 14 Vdc	UL Version
	4 (3) A / 30 Vdc	3 A / 30 Vac
	5 (3) A / 125 Vac	3 A / 125 Vac
	3 (2) A / 250 Vac	3 (3A) A / 250 Vac
<b>Max Overpressure Limit</b>	Zinc Plated Steel Stainless Steel 300 Bar	75 Bar
	Brass 80 Bar	40 Bar
<b>Max Working Pressure</b>	Zinc Plated Steel Stainless Steel 150 Bar	60 Bar
	Brass 40 Bar	12 Bar
<b>Fixed Hysteresis</b>	Approximately 10÷30% depending on setting value	
<b>Action Type</b>	1B	
<b>Mechanical Working Life</b>	106 operations	
<b>Tightening Torque</b>	25/50 Nm	
<b>Protection Degree</b>	IP65	
<i>with connector according to UNI EN 175301-803 (DIN43650)</i>		
<b>Weight</b>	~ 140g	