



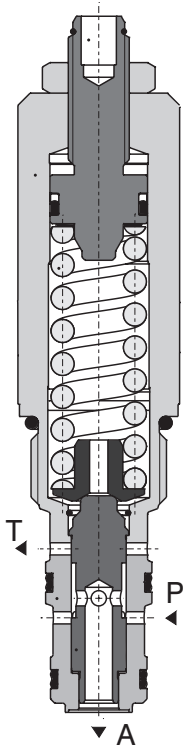
SP2A-B3

Pressure Reducing / Relieving Valve, Spool-Type, Direct-Acting



- 7/8-14 UNF
- Q_{\max} 60 l/min (16 GPM)
- p_{\max} 420 bar (6100 PSI)

Model S



Technical Features

- › Excellent stability throughout flow range with rapid response to dynamic pressure changes
- › Low hysteresis, accurate pressure control and low pressure drop
- › Wide pressure range up to 420 bar
- › Hardened precision parts
- › Adjustable by allen key or hand screw
- › In the standard version, the valve is zinc-coated for 240 h protection acc. to ISO 9227

Functional Description

The valve provides an adjustable regulated pressure level below supply pressure. This direct-acting model is suitable for applications with lower flow rates and lower regulated pressures. In cases of shock or surge pressures in the downstream line the valve acts as a relief valve, directing excessive pressure and flow to tank.



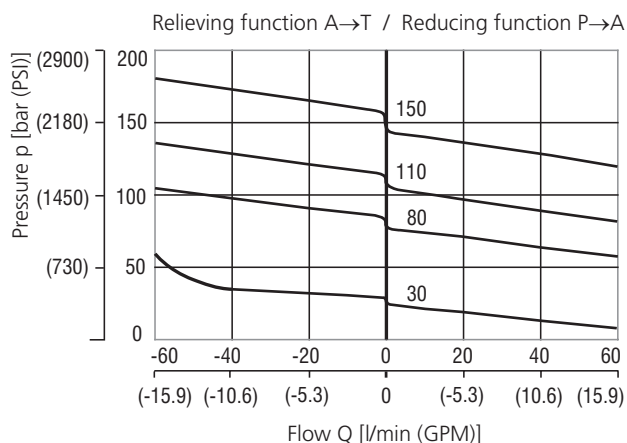
Technical Data

Valve size / Cartridge cavity	7/8-14 UNF-2A / B3				
Max. flow	l/min (GPM)	60 (15.9)			
Pressure range		3	8	11	15
Max. operating pressure	bar (PSI)	420 (6090)			
Reduced pressure	bar	30	80	110	150
	(PSI)	(440)	(1160)	(1600)	(2180)
Max. back pressure (port T)	bar (PSI)	200 (3626)			
Fluid temperature range (NBR)	°C (°F)	-30 ... +100 (-22 ... 212)			
Fluid temperature range (FPM)	°C (°F)	-20 ... +120 (-4 ... 248)			
Mass	kg (lbs)	0.26 (0.57)			

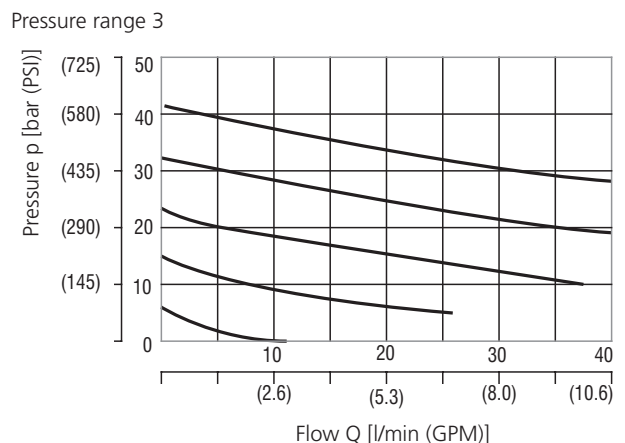
	Datasheet	Type
General information	GI_0060	Products and operating conditions
Valve bodies	In-line mounted	SB_0018
	Sandwich mounted	SB-04(06)_0028
Cavity details / Form tools	SMT_0019	SMT-B3*
Spare parts	SP_8010	

Characteristics measured at $v = 32 \text{ mm}^2/\text{s}$ (156 SUS)

Reducing - relieving pressure related to flow rate

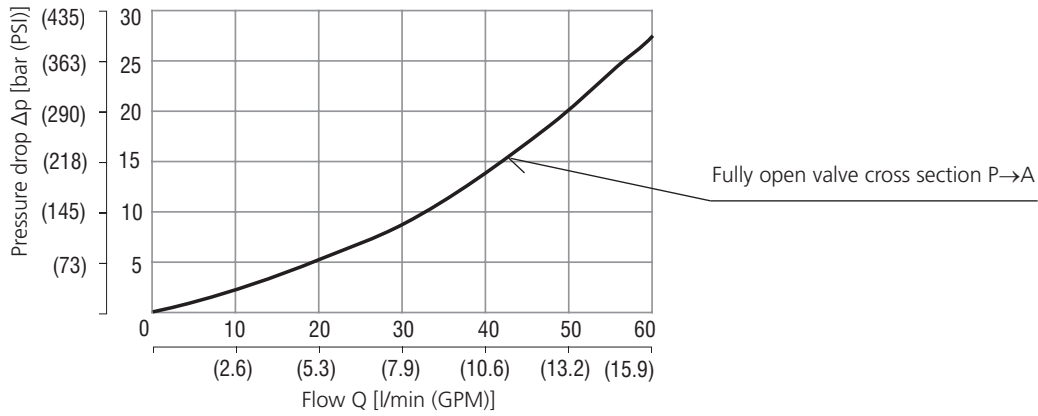


Minimum reducing pressure related to flow rate



Characteristics measured at $v = 32 \text{ mm}^2/\text{s}$ (156 SUS)

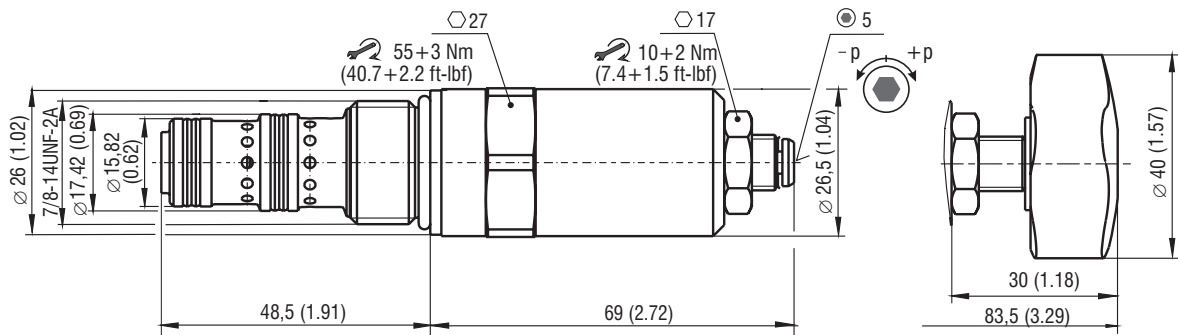
Pressure drop related to flow rate



Dimensions in millimeters (inches)

Model S

Model RP



Ordering Code

SP2A-B3 / -

<p>Pressure reducing - relieving valve, spool-type, direct-acting 7/8-14 UNF</p>	<p>Model High performance</p>	<p>Pressure range up to 30 bar (440 PSI) 3 up to 80 bar (1160 PSI) 8 up to 110 bar (1600 PSI) 11 up to 150 bar (2180 PSI) 15</p>	<p>Surface treatment A zinc-coated (ZnCr-3), ISO 9227 (240 h) B zinc-coated (ZnNi), ISO 9227 (520 h)</p>	<p>Seals NBR FPM (Viton)</p>	<p>Adjustment option allen key (hex. 5), without protective cap hand screw, plastic</p>
	<p>H</p>		<p>No designation V</p>		<p>S RP</p>