

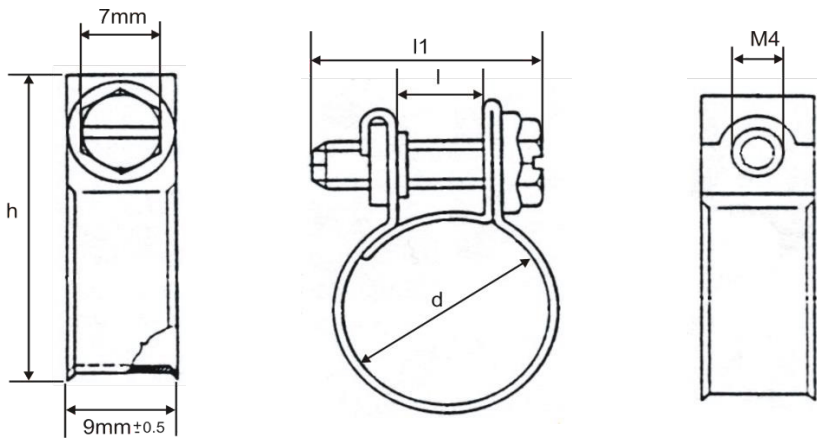
# Mini Clips



## Carbon steel zinc plated

The Mini Clip, also known as the Nut & Bolt, Fueline or Petrol Pipe Clip is tailor made for many small diameter constructions where wide adjustment span is not necessary.

Our standard Clips are Carbon Steel bright zinc plated or complete AISI 304 Stainless Steel.



PART NUMBER	d (mm)	TIGHTENING TORQUE MAX (Nm)	h 0.5 (mm)	l (mm)	l1 (mm)
505-9	7-9	1.2	18	8	22
505-10	8-10		19	8	
505-11	9-11		20	8	
505-12	10-12		21	8	
505-13	11		22	8	
505-14	12		23	8	
505-15	13		24	8	
505-16	14		25	8	
505-17	15		26	8	
505-18	16		27	8	

# Mini Clips



## Stainless Steel

Specification		
PART NUMBER	d (mm)	TIGHTENING TORQUE MAX (Nm)*
505-9SS	7-9	1.2
505-10SS	8-10	
505-11SS	9-11	
505-12SS	10-12	
505-13SS	11 - 13	
505-14SS	12 - 14	
505-15SS	13 - 15	
505-16SS	14 - 16	
505-17SS	15 - 17	
505-18SS	16 - 18	



\*Recommended

Material: AISI 304 Stainless Steel.