

Valves

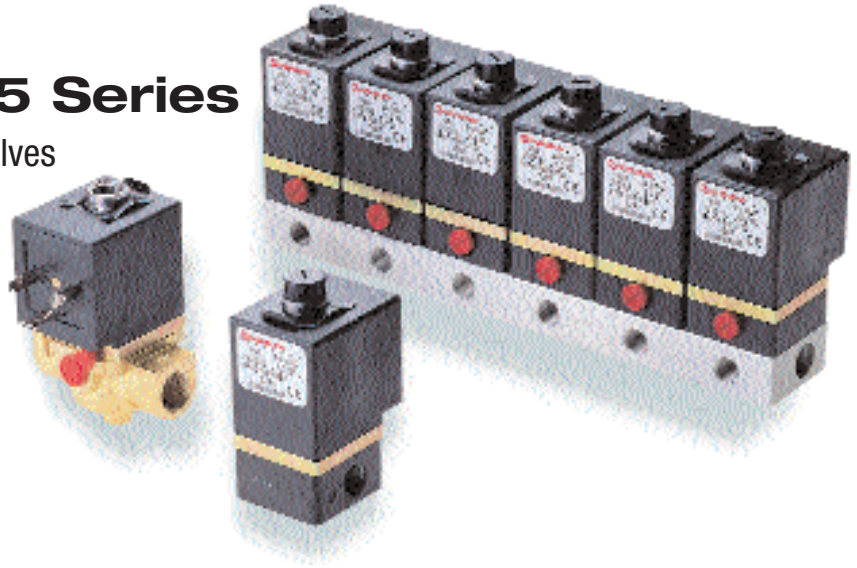
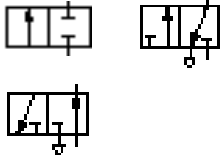
# Excel 32

## V03, V04 and V05 Series

Solenoid actuated 32 mm poppet valves

In-line &amp; sub-base

2/2 &amp; 3/2, G1/8, G1/4



Extensive range of power and orifice size options

G1/8, G1/4, 7 mm interface

Compact installation

Removeable coil

Standard exhaust diffuser

Choice of manual override

### Technical data

Medium:

Compressed air, filtered, lubricated and non lubricated.

Operating pressure:

Maximum 16 bar.

See individual details.

Flow:

Orifice Ø Interface G1/8, G1/4

1,0 mm 25 30

1,5 mm 55 70

2,0 mm 95 120

2,5 mm 150 190

3,0 mm – 260

Ambient temperature:

-20°C to +50°C.

Consult our Technical Service for use below +2°C.

### Materials

Coil: glass reinforced nylon

Armature: stainless iron

Tube &amp; spring: stainless steel

Base: zinc alloy (G1/8), brass (G1/4), polyester (interface)

Manifold: aluminium

Seals: nitrile (Viton top seat)

### Alternative models

15 mm models, 22 mm models.

Viton seals

#### V03

Function	Orifice (mm)	Operating pressure (bar)	kg	Mounting	Model
2/2 NC	1,0	0 ... 10	0,20	Interface	V03X286J-B613A
2/2 NC	1,0	0 ... 10	0,24	G1/8	V03A286J-B613A
3/2 NC	1,0	0 ... 10	0,20	Interface	V03X486J-B613A
3/2 NC	1,0	0 ... 10	0,24	G1/8	V03A486J-B613A

V03 models are only available with 24 V d.c. coil. Spare coil part no. V03X286A-Q1213.

#### V04

Function	Orifice (mm)	Operating pressure (bar)	kg	Mounting	Model
2/2 NC	2,5	0 ... 10	0,20	Interface	V04X286M-B62*A
2/2 NC	2,5	0 ... 10	0,24	G1/8	V04A286M-B62*A
2/2 NC	2,5	0 ... 10	0,32	G1/4	V04B286M-B42*A
2/2 NC	3,0	0 ... 7	0,32	G1/4	V04B286N-B42*A
3/2 NC	2,0	0 ... 10	0,20	Interface	V04X486L-B62*A
3/2 NO	2,0	0 ... 10	0,20	Interface	V04X386L-B62*A
3/2 NC	2,0	0 ... 10	0,24	G1/8	V04A486L-B62*A
3/2 NO	2,0	0 ... 10	0,24	G1/8	V04A386L-B62*A

#### V05

Function	Orifice (mm)	Operating pressure (bar)	kg	Mounting	Model
2/2 NC	2,5	0 ... 16	0,20	Interface	V05X286M-B63*A
2/2 NC	2,5	0 ... 16	0,24	G1/8	V05A286M-B63*A
2/2 NC	2,5	0 ... 16	0,32	G1/4	V05B286M-B43*A
2/2 NC	3,0	0 ... 13	0,32	G1/4	V05B286N-B43*A
3/2 NC	2,5	0 ... 10	0,20	Interface	V05X486M-B63*A
3/2 NO	2,5	0 ... 10	0,20	Interface	V05X386M-B63*A
3/2 NC	2,5	0 ... 10	0,24	G1/8	V05A486M-B63*A
3/2 NO	2,5	0 ... 10	0,24	G1/8	V05A386M-B63*A

\* Insert voltage codes from table below.

All models are available without manual override. Change 10th digit to 1 eg. V04A486L-B12\*A.

Other orifices are available. Contact our Technical Service for details. Service kits are not available for these valves.

Order connector plugs separately.

#### Voltage codes & spare coils – V04 and V05

Voltage	Code	Coil	
		V04	V05
6 V d.c.	1	V04X286A-Q1221	V05X286A-Q1231
12 V d.c.	2	V04X286A-Q1222	V05X286A-Q1232
24 V d.c.	3	V04X286A-Q1223	V05X286A-Q1233
48 V d.c.	5	V04X286A-Q1225	V05X286A-Q1235
110 V d.c.	7	V04X286A-Q1227	V05X286A-Q1237
24 V 50/60 Hz	4	V04X286A-Q1224	V05X286A-Q1234
48 V 50/60 Hz	6	V04X286A-Q1226	V05X286A-Q1236
110 ... 120 V 50/60 Hz	8	V04X286A-Q1228	V05X286A-Q1238
220 ... 240 V 50/60 Hz	9	V04X286A-Q1229	V05X286A-Q1239

#### Electrical details for solenoid operators

Voltage tolerance:	±10%
Power consumption:	Excel V03 d.c. 1,0 W
Inrush/hold:	Excel V04 d.c. 4,5 W
	Excel V05 d.c. 9,0 W
	a.c. 14/10 V A
	a.c. 27/20 V A
Rating:	100% E.D.
Electrical connection:	3 pin plug (DIN 43 650 Form A)
	Coil may be rotated at 90° intervals
Manual override:	Screwdriver operated, memory type, standard
Protection class:	IP 65 (DIN 40 050) with terminal box fitted

For details of connector plugs and indicators see page 384

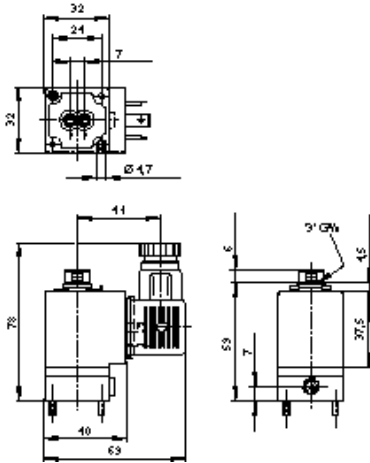
# Excel 32 V03, V04 and V05 Series

Solenoid actuated 32 mm poppet valves

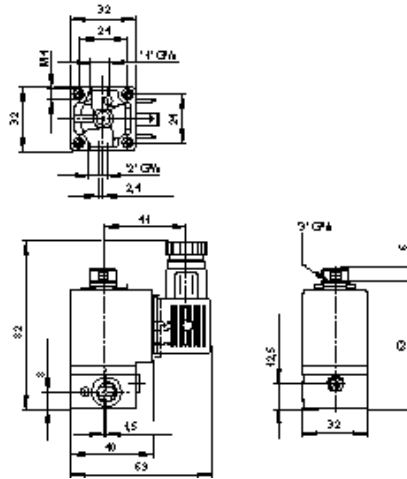
In-line & sub-base

2/2 & 3/2, G $\frac{1}{8}$ , G $\frac{1}{4}$

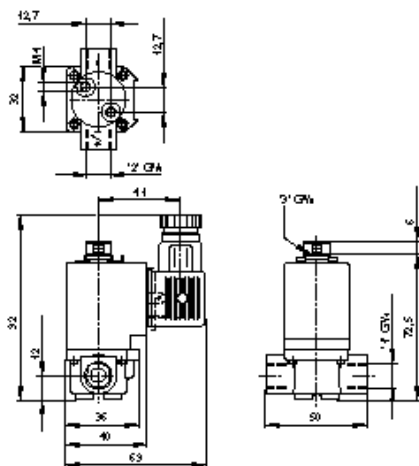
Interface mounted valves



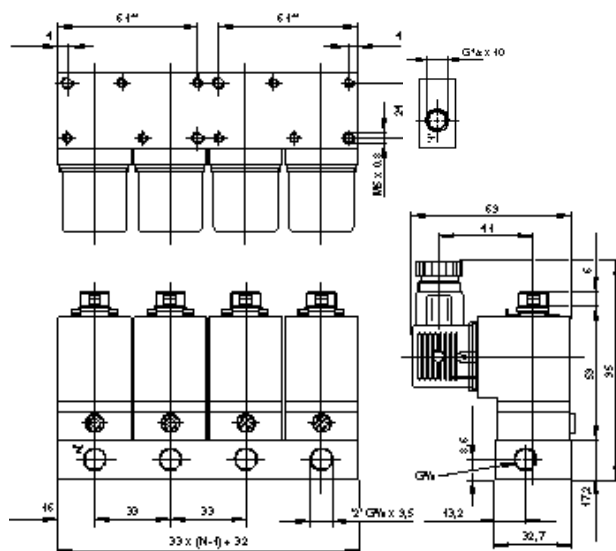
G1/8 Valves



G1/4 Valves



Manifold for use with interface valves



M/P35598/‡

‡ Indicates the number of stations: 1 to 20

N = number of stations

\*\* Two additional holes with five or more stations.

Weight: 0,041 kg/station.

## Accessories

Blanking plate – QM/7600/23

Manifold assemblies are available. Contact our Technical Service for details.