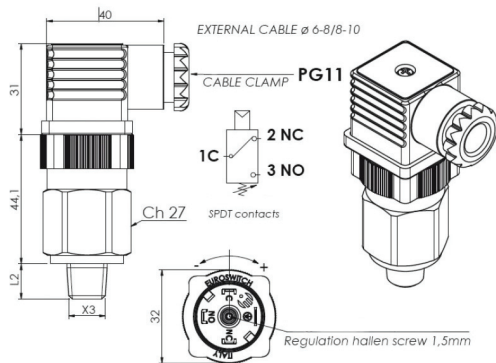


# Diaphragm Vacuum Switch



Part Number		
<b>Mod. 38</b>	<b>Setting Range (m Bar)</b>	<b>Tolerance at 20°C (m Bar)</b>
<b>Electrical Contact - Normally Open</b>		
<b>38 2 1 ● 9</b>	-200 / -900	± 100
15 Bar	Max Overpressure Limit	
10 Bar	Max Working Pressure	

## Threads (X3) L2mm

1 1/8" Gas taper	10
2 1/4" Gas taper	12



ATEX version available on request

<b>Case</b>	Brass
<b>Electric contacts</b>	Silver
<b>Regulation screw</b>	Allen key 1,5mm
<b>Max fluid temperature</b>	80° to 120°C depending on diaphragm
<b>Electrical condition</b>	SPDT (exchange contact)
<b>Electrical characteristics</b>	5 (4) A / 14 Vdc 4 (3) A / 30 Vdc 5 (3) A / 125 Vac 5 (1) A / 250 Vac
<b>Fixed Hysteresis</b>	approximately 10÷30% depending of setting value
<b>Action type</b>	1B
<b>External pollution situation</b>	normal
<b>Mechanical working life</b>	10 <sup>6</sup> operations
<b>Tightening torque max</b>	25 Nm
<b>Protection degree</b>	IP65
with connector according to UNI EN 175301-803 (DIN43650)	
<b>Diaphragms</b>	1 NBR (oil) 4 CR (air)
<b>Weight</b>	~ 140 gr