

# HOSE CLAMPS

## SERIES 74



The DOUBLE EAR CLAMP is an inexpensive, easy assembly clamp, which has many applications in addition to its normal role of sealing hoses against loss of Liquid, Air or Gases.

We also produce a SINGLE EAR version on a more limited range of sizes.

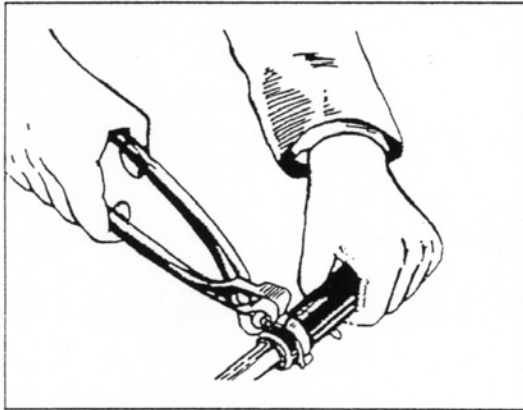
Both types are made from Mild Steel as standard, though stainless can be produced to order. Normal finish - Zinc Plated.



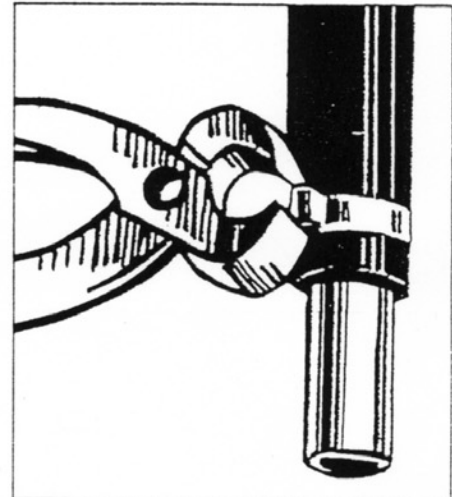
They have particular value over some other clamps:

- 1) Security, i.e. Tamper proof
- 2) Aesthetically pleasing/compact
- 3) Speed and ease of assembly
- 4) Sealing pressure consistency
- 5) Just as effective on metal to metal connections
- 6) Unobstrusive

### APPLICATION

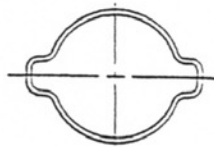


### REMOVAL

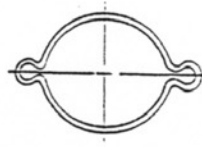


EAR CLAMP PINCERS are most effective for fitting and removing clamps.

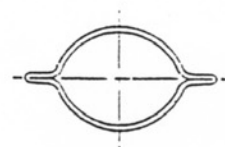
Section through clamp, indicating closing details.



OPEN CLAMP



CLOSED CORRECTLY



CLOSED INCORRECTLY

PINCERS are available in two types:-

#### SIDE CLOSING

Naturally, selection of the correct size of clamp is essential. Choose a size approximately 0.4mm above Hose Assembly.

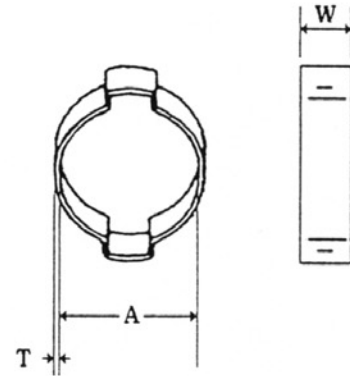
#### END CLOSING

This Pincer Illustrated Above

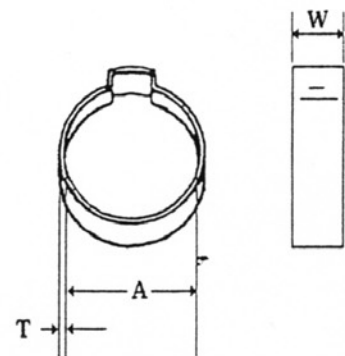
# HOSE CLAMPS

## SERIES 74

DOUBLE EAR CLAMP SERIES A74					
Size Range A		W	T	Kg/ 100	Box Qty
Metric	Inch				
5-7	1/4	6.0	0.6	.14	200
7-9	5/16	6.0	0.8	.16	
9-11	3/8	6.5	0.8	.22	
10-12	7/16	6.5	0.9	.24	
11-13	1/2	6.5	0.9	.25	
13-15	9/16	7.0	1.0	.32	100
14-17	19/32	7.0	1.2	.39	
15-18	5/8	7.5	1.2	.47	
17-20	3/4	7.5	1.2	.55	
18-21	13/16	8.0	1.2	.65	
20-23	7/8	8.0	1.3	.74	
22-25	15/16	8.5	1.4	.83	
23-27	1"	8.5	1.4	.94	50
25-28	1.1/8	9.0	1.4	1.09	
28-31	1.3/16	9.0	1.4	1.25	
31-34	1.1/4	9.5	1.4	1.41	
34-37	1.3/8	9.5	1.6	1.54	
37-40	1.1/2	10.0	1.6	1.70	25



SINGLE EAR CLAMP SERIES C74					
Size Range A		W	T	Kg/ 100	Box Qty
Metric	Inch				
8-10	5/16	6.0	0.8	.19	100
9-11	3/8	6.5	0.8	.20	
10-12	7/16	6.5	0.8	.21	
11-13	1/2	6.5	0.9	.22	
12-14	9/16	7.0	1.0	.29	
14-16	5/8	7.0	1.1	.41	
16-18	11/16	7.0	1.2	.50	



STANDARDS – DIN 2393

STOCK FINISH – Zinc Plated