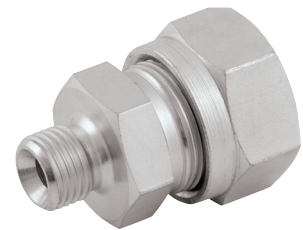
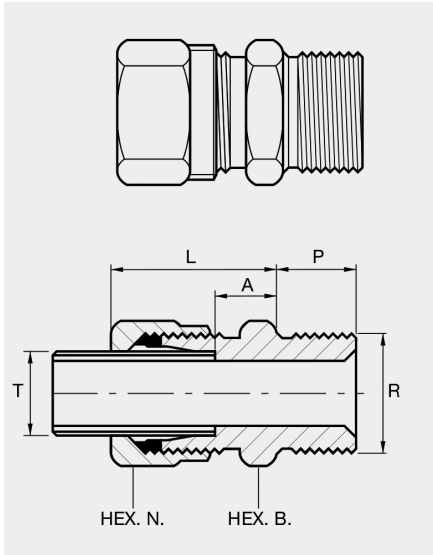


Hydraulic Imperial Compression Fittings



Steel Fittings for O.D. & N.B.



BSPP Male Stud Coupling N.B. Tube								
Supplier Part Number	Customer Part Number	T	R	N	B	A	P	L
NMC4-4	2018-7837	1/4"	1/4"	1.10"	.920"	3/8"	7/16"	1.5/32"
NMC4-6	2018-7845	1/4"	3/8"	1.10"	.920"	3/8"	1/2"	1.5/32"
NMC6-4	2018-7860	3/8"	1/4"	1.20"	1.10"	7/16"	5/8"	1.7/32"
NMC6-6	2018-7878	3/8"	3/8"	1.2"	1.10"	7/16"	7/16"	1.1/4"
NMC8-6	2018-7894	1/2"	3/8"	1.375"	1.20"	1/2"	1/2"	1.3/8"
NMC8-8	2018-7902	1/2"	1/2"	1.375"	1.20"	1/2"	5/8"	1.3/8"
NMC8-12	2018-7910	1/2"	3/4"	1.375"	1.30"	9/16"	3/4"	1.7/16"
NMC8-16	2018-7928	1/2"	1"	1.375"	1.67"	5/8"	7/8"	1.1/2"
NMC12-12	2018-7951	3/4"	3/4"	1.67"	21/32"	7/8"	3/4"	1.23/32"
NMC16-12	2018-7977	1"	3/4"	2.05"	1.67"	3/4"	3/4"	1.23/32"
NMC16-16	2018-7985	1"	1"	2.05"	1.67"	3/4"	7/8"	1.23/32"
NMC16-20	2018-7993	1"	1.1/4"	2.05"	2.05"	13/16"	1"	1.25/32"
NMC20-16	2018-8009	1.1/4"	1"	2.58"	2.22"	15/16"	7/8"	2.1/32"
NMC20-20	2018-8017	1.1/4"	1.1/4"	2.58"	2.22"	15/16"	1"	2.1/32"