

ISO 5211 Pad, WRAS Approved



Brass Ball Valve - ISO Top - 1/4" to 3/8"

1/2" to 2" options

Screwed BSPP, ISO 5211 Connection for Direct Mount



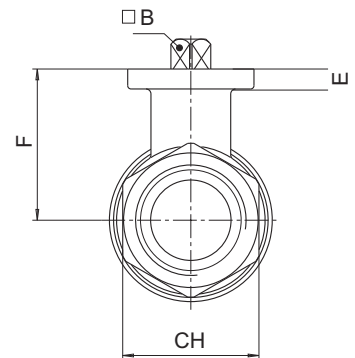
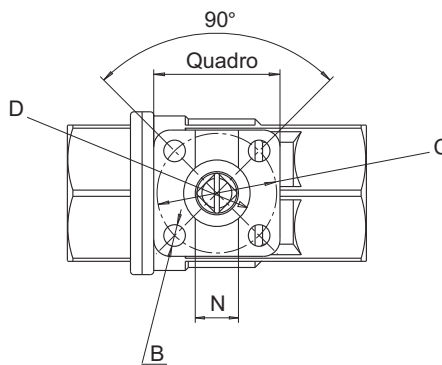
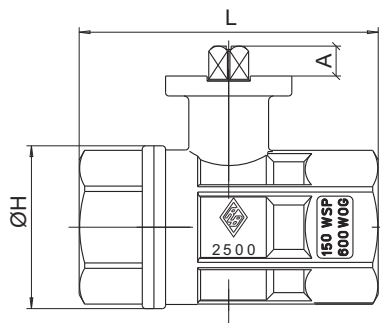
Pressure / Temperature Specifications	
Pressure	PN40
Temperature	-20°C to 160°C

Material Specifications 1/4" to 3/8"	
Body	Brass CW 617 N
Ball	Brass CW 617 N
Seats	PTFE
Stem	Brass CW 614 N
O-rings	Viton

Torque (Nm)	
1/4"	6.0
3/8"	6.0

Flow Rates (KV)	
1/4"	5.4
3/8"	6.0

Dimensions													
Size	Quatro	CH	ØH	L	A	ØB	ØC	ØD	E	F	N	Kv	Kg
1/4"	38	27	33.5	67	9	6	36	25	5.5	32.5	9	5.4	0.4
3/8"	38	27	33.5	67	9	6	36	25	5.5	32.5	9	6	0.4



Brass Ball Valve - ISO Top - 1/2" to 2"



Screwed BSPP, ISO 5211 Connection for Direct Mount



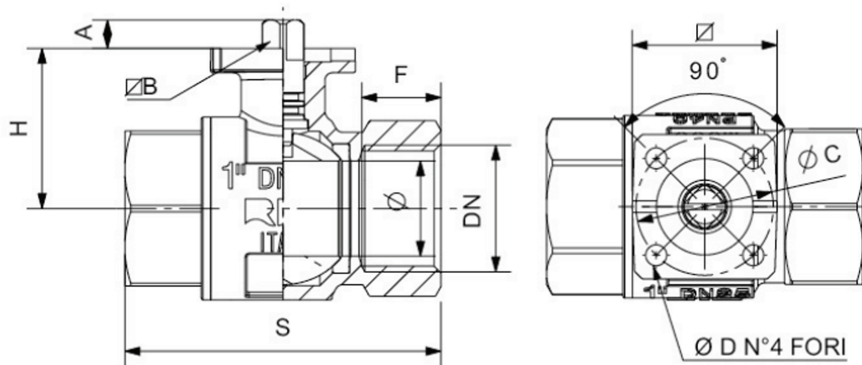
Pressure / Temperature Specifications	
Pressure	PN40
Temperature	-20°C to 95°C

Material Specifications 1/4" to 3/8"	
Body	Brass CW 617 N
Ball	Brass CW 617 N
Seats	PTFE
Stem	Brass CW 614 N
O-rings	NBR

Torque (Nm)					
1/2"	3/4"	1"	1 1/4"	1 1/2"	2"
4.2	4.8	5.5	11.5	18.0	22.0

Flow Rates (KV)					
1/2"	3/4"	1"	1 1/4"	1 1/2"	2"
16.3	29.5	43.0	89.0	230.0	265.0

Dimensions											
Size	Ø	H	S	F	A	C	ISO	ØD	□	□B	Kg
1/2"	15	31	59	17	7	36	F03	5.5	38	9	0.3
3/4"	20	37	69	18	8	36	F03	5.5	38	9	0.4
1"	25	41	83	22	8	36	F03	5.5	38	9	0.7
1 1/4"	32	46.5	94	24	14.5	50	F05	6.5	50	14	1.1
1 1/2"	40	58	102	24	14.5	50	F05	6.5	50	14	1.4
2"	50	65.5	124	28	14.5	50	F05	6.5	50	14	2.2



Brass Ball Valve - ISO Top - 2.1/2" to 3"



Screwed BSPP, ISO 5211 Connection for Direct Mount



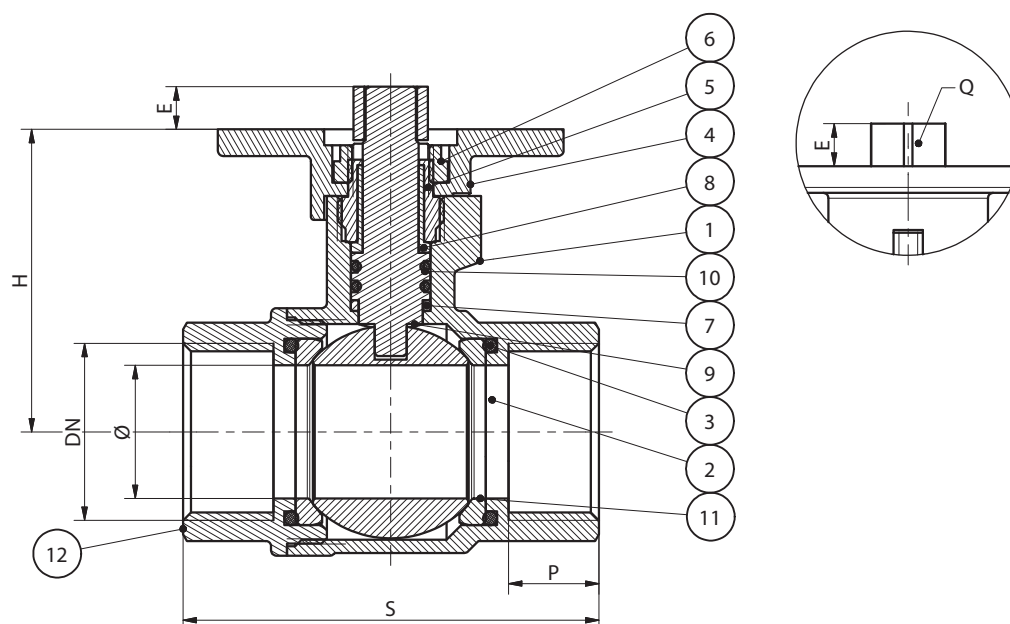
Pressure / Temperature Specifications	
Pressure	PN40 2 1/2"
	PN25 3"
Temperature	-10°C to 100°C

Material Specifications 2 1/2" & 3"		
1.	Body	Brass CW 617 N
2.	Ball	Brass CW 614 N
3.	O-ring	NBR
4.	Mounting Pad	Brass CW 617 N
5.	Nut	Brass CW 614 N
6.	Nut	Brass CW 614 N
7.	Anti-scuff Ring	PTFE
8.	Anti-scuff Bush	PTFE
9.	Stem	Brass CW 614 N
10.	O-ring	NBR
11.	Seat	PTFE
12.	Sleeve	Brass CW 617 N

Torque (Nm)	
2 1/2"	15.0
3"	18.0

Flow Rates (KV)	
2 1/2"	540.0
3"	873.0

Dimensions								
Size	Ø	S	P	H	E	Q	ISO	Kg
2 1/2"	64	141	25	92	12	14	F05	3.4
3"	78	159	25	102	12	14	F05	5.3



Brass Ball Valve - ISO Top - 4"

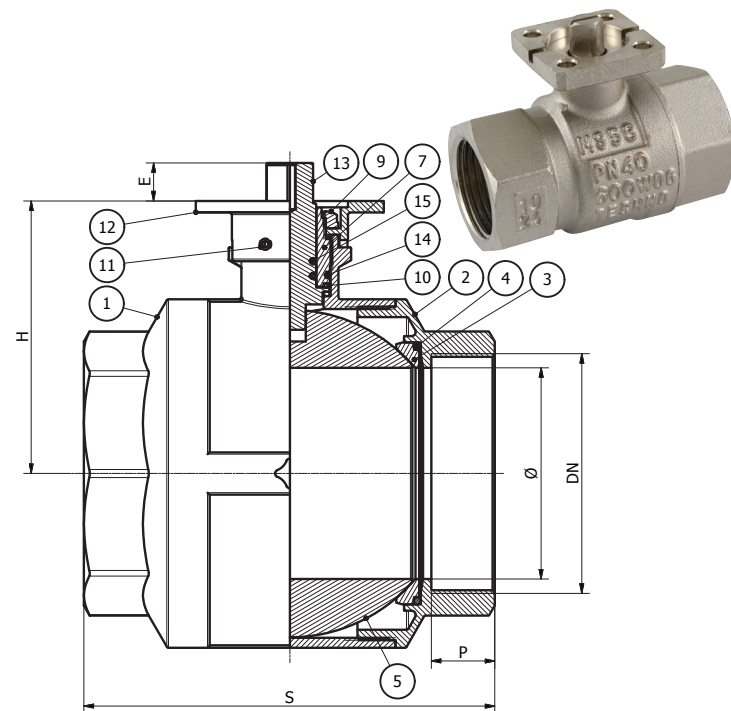


Screwed BSPP, ISO 5211 Connection for Direct Mount

Pressure / Temperature Specifications	
Pressure	PN16
Temperature	-10°C to 100°C

Material Specifications 4"		
1.	Body	Brass CW 617 N
2.	Sleeve	Brass CW 617 N
3.	Seat	PTFE
4.	O-ring	NBR
5.	Ball	Brass CW 614 N
6.	O-ring	NBR
7.	Nut	Brass CW 614 N
8.	O-ring	NBR
9.	Nut	Brass CW 614 N
10.	Anti-scuff Ring	PTFE
11.	Screw	Carbon Steel
12.	Mounting Pad	Brass CW 617 N
13.	Stem	Brass CW 614 N

Torque (Nm)	
4"	18.0



Flow Rates (KV)	
4"	1390.0

Dimensions								
Size	Ø	S	P	H	E	□	ISO	Kg
4"	100	195	30	129	18	14	F05/07	8.2