

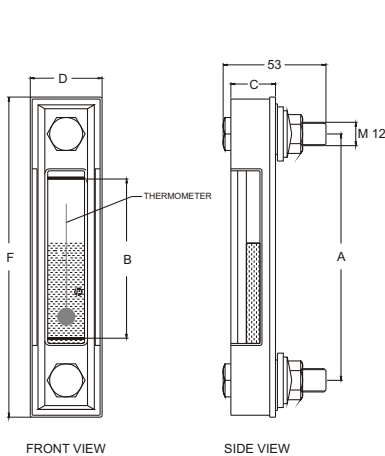
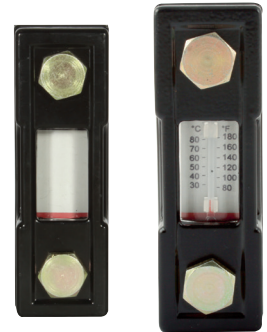


# Reservoir Accessories

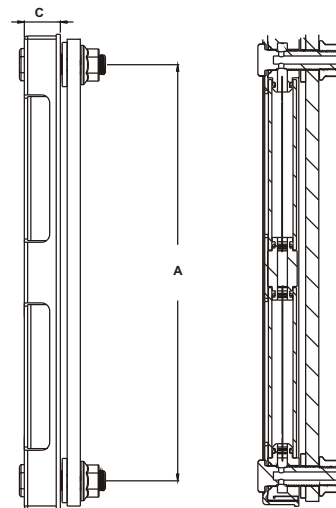
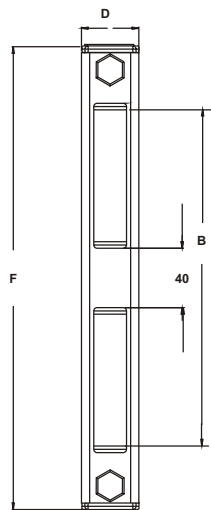
## Level Gauge - FLGS

### Specification:

- 'O' ring type construction/sturdy die cast cover
- 3 Sizes 3", 5" & 10" between bolt centres
- For non pressurised tanks only
- Can be mounted on tapped holes
- Suitable for mineral/petroleum based oils
- Maximum temperature 80°C



FLGS-76 & FLGS-127



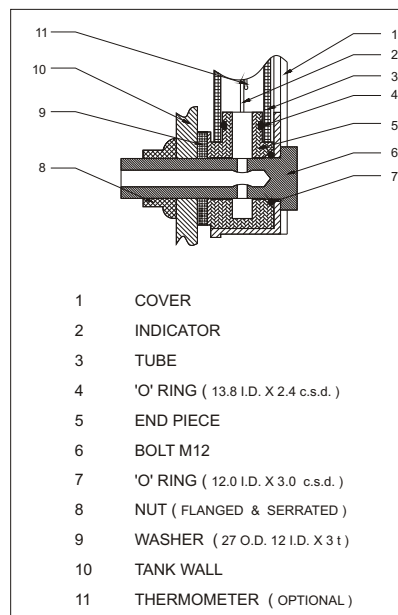
FLGS-254

MODEL	A	B	C	D	F	WT KGS
FLGS-76	76.2	32	23	35	111	0.23
FLGS-127	127.0	76	23	35	162	0.26
FLGS-254	254.0	200	23	35	289	0.36

**MODEL CODE : ASSEMBLY**

FLGS	T	- 05	- 10
SERIES	FEATURE	SIZE	FEATURE
	OPTIONAL #	INCH	SPECIAL #
FL#GS	T - THERMOMETER (OMIT IF NOT REQD)	76-762mm	M12 - STD (M12 X 1.75 BOLT) Omit If Std
		127-127mm	10 - SPECIAL (M10 X 1.50 BOLT)
		254-254mm	

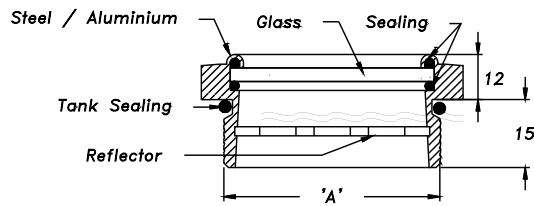
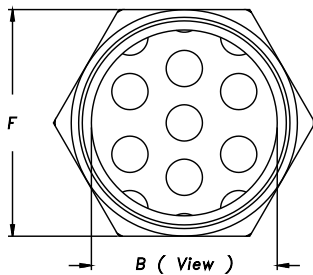
NOTE : BOLT TORQUE TO BE LIMITED TO 3 FT LBS  
# OPTIONAL / SPECIAL FEATURE - OMIT IF NOT REQUIRED



Dimensions in mm for reference only



- SHOCK RESISTANT
- STEEL / ALUMINIUM BODY
- OPERATING TEMP. 80 deg C
- BUNA - N SEAL / DOWTY SEAL
- FOR USE WITH MINERAL , & PETROLEUM BASED FLUIDS
- ANY CONTACT WITH ALCOHOL OR SOLVENTS MUST BE AVOIDED



Part No.	*A	B	F	*Weld Flange To Suit
SG-12	3/4" BSPP	20	32.0	WF-12
SG-16	3/4" BSPP	20	32.0	WF-16
SG-20	3/4" BSPP	20	32.0	WF-20
SG-24	3/4" BSPP	20	32.0	WF-24