

# MixRite Dosing Pumps

3.5m<sup>3</sup>/h



Tefen's MixRite line of water driven proportional dosing pumps, are used to ensure precise additive injection directly into the water or fluid line under various flow rates, feed ratios and different ranges of pressure.

### Features

- Mixes additive and water precisely
- The dosage can be adjusted easily and quickly
- Repair is simple and inexpensive
- Key internal parts are from the highest quality material available (hastelloy spring. Viton Rubber seal)

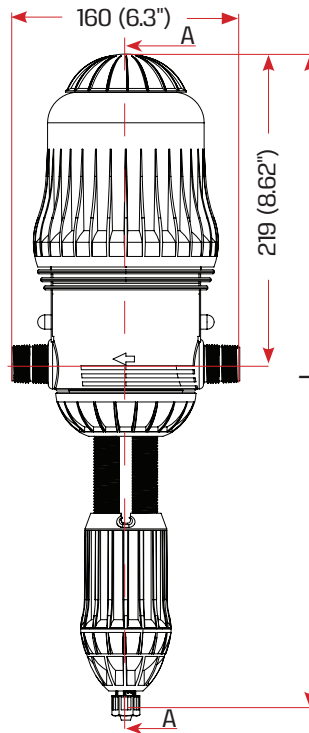
### Technical Information

Water pressure: 0.2 – 8 bar (2.9 – 120psi)  
 Flow Rate: 10 – 3500 l/h (2.65 – 930) gal/h  
 Working temp: 4-40° C (39.2-104°F)  
 Coupling: 3/4"

## MixRite 3.5 Series

### Available options

Manual ON/OFF    Hydraulic ON/OFF    Electric ON/OFF



|      |  | L (Height)  |             |
|------|--|-------------|-------------|
|      |  | On/Off      | Air Release |
| Max. |  | 551 (21.7") | 486 (19.1") |
| Min. |  | 471 (18.5") | 447 (17.6") |

### Application Color Code

| Application | Sleeve Color | TEFEN Code | Seal Material | Spring Material |
|-------------|--------------|------------|---------------|-----------------|
| Irrigation  | Grey         | STD        | NBR           | SST             |
| Livestock   | Red          | PO         | NBR, EPDM     | SST, Hastelloy  |
| Acids       | White        | PVDF       | AFLAS         | Hastelloy       |
| Chlorine    | Purple       | CL         | Viton         | Hastelloy       |
| Industry    | Black        | C          | EPDM, AFLAS   | SST, Hastelloy  |
| Car Wash    | Blue         | CW         | AFLAS         | SST, Hastelloy  |
| Landscaping | Green        | STD        | NBR           | SST             |

# MixRite Dosing Pumps

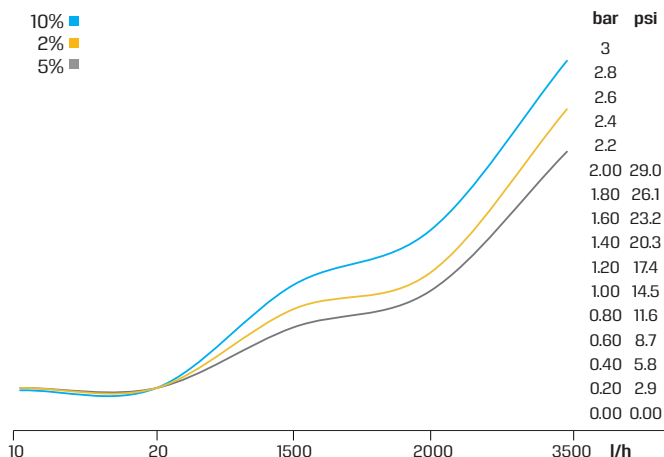
3.5m<sup>3</sup>/h



## Application Range

| Dosage Rate % | Applications                      | Flow Rate Range                 | Pressure Range           | Dosage Rate    | Connectors Dia. Thread | Min-Max Injection Rate Per Hour      | Gross weight std unit |
|---------------|-----------------------------------|---------------------------------|--------------------------|----------------|------------------------|--------------------------------------|-----------------------|
| 0.03% - 0.2%  | Water Treatment / Chlorine        | 10-3500 l/h<br>0.04 to 15.5 gpm | 0.2-8 bar<br>2.9-120 psi | 1:3333 - 1:500 | 3/4" BSPT              | 0.003 - 7 l/h<br>1.85gph             | 1.9 KG<br>4.19 lbs    |
| 0.1%-0.9%     | Irrigation / Livestock / Car Wash | 10-3500 l/h<br>0.04 to 15.5 gpm | 0.2-8 bar<br>2.9-120 psi | 1:1000 - 1:111 | 3/4" BSPT              | 0.01 -31.5 l/h<br>0.003 -8.32gph     | 1.9 KG<br>4.19 lbs    |
| 0.3%-2%       | Irrigation / Livestock / Car Wash | 10-3500 l/h<br>0.04 to 15.5 gpm | 0.2-8 bar<br>2.9-120 psi | 1:333 - 1:50   | 3/4" BSPT              | 0.03 - 70 l/h<br>0.008 -18.5gph      | 1.9 KG<br>4.19 lbs    |
| 0.5%-5%       | Irrigation / Livestock / Car Wash | 10-3500 l/h<br>0.04 to 15.5 gpm | 0.2-8 bar<br>2.9-120 psi | 1:200 - 1:20   | 3/4" BSPT              | 0.05 - 175 l/h<br>0.013 -46.23gph    | 1.9 KG<br>4.19 lbs    |
| 1%-10%        | Irrigation / Livestock / Car Wash | 50-3500 l/h<br>0.22 - 15.5gpm   | 0.2-8 bar<br>2.9-120 psi | 1:100 - 1:10   | 3/4" BSPT              | 0.5 - 350 l/h<br>0.132 - 95.592.5gph | 3.0 KG<br>6.61 lbs    |

## Pressure Loss



## Max. injection rate/h

