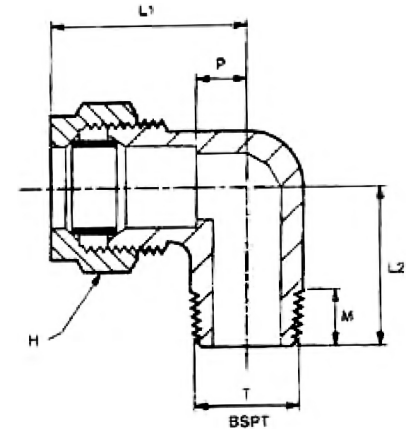


Male Stud Elbow, BSPT, Imperial

Wade



Features & Benefits

- 90° Elbow configuration with a BSP taper male stud thread
- Enables tube connection to a mating BSP taper or BSP parallel BS21 female threaded port

Part No	Tube OD	T BSPT male Thread	M Stud Length	L1 Length	L2 Length	H Hex A/F	P Abutment
WADE-8020	1/8"	1/8"	0.375"	0.75"	0.718"	0.445"	0.281"
WADE-8021	3/16"	1/8"	0.375"	0.75"	0.718"	0.445"	0.281"
WADE-8023/1	1/4"	1/8"	0.375"	0.937"	0.718"	0.601"	0.375"
WADE-8023	1/4"	1/4"	0.531"	0.937"	0.937"	0.601"	0.375"
WADE-8023/8	1/4"	3/8"	0.531"	1.062"	1.093"	0.601"	0.5"
WADE-8025/1	5/16"	1/8"	0.375"	0.937"	0.718"	0.601"	0.375"
WADE-8025	5/16"	1/4"	0.531"	0.937"	0.937"	0.601"	0.375"
WADE-8025/8	5/16"	3/8"	0.531"	1.062"	1.093"	0.601"	0.5"
WADE-8028/1	3/8"	1/8"	0.375"	1.093"	0.937"	0.82"	0.437"
WADE-8028/3	3/8"	1/4"	0.531"	1.093"	1.093"	0.82"	0.437"
WASE-8028	3/8"	3/8"	0.531"	1.093"	1.093"	0.82"	0.437"
WADE-8028/11	3/8"	1/2"	0.687"	1.218"	1.312"	0.82"	0.562"
WADE-8031	1/2"	1/2"	0.687"	1.218"	1.312"	0.92"	0.437"