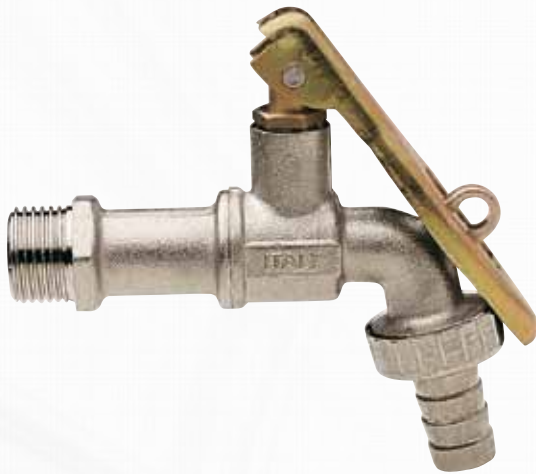


VOCI DI CAPITOLATO - TECHNICAL FEATURES

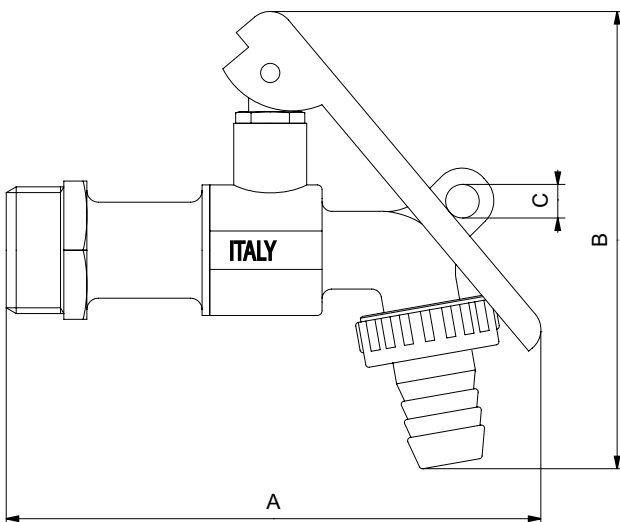


MISURA/SIZE	1/2" (DN 15)	3/4" (DN 20)
PRESSIONE/PRESSURE	15bar/217.5psi	15bar/217.5psi
CODICE/CODE	1440012	1440034
IMBALLO/PACKING	8/112	8/112

Corpo in ottone nichelato.  
Raccordo in ottone.  
Maniglia a leva in acciaio.  
Temperature minima e massima d'esercizio:  
-20°C, 80°C.  
Attacco filettato ISO228  
(equivalente a DIN EN ISO 228 e BS EN ISO 228).  
Misure disponibili:  
**1/2"x3/4", 3/4"x3/4".**

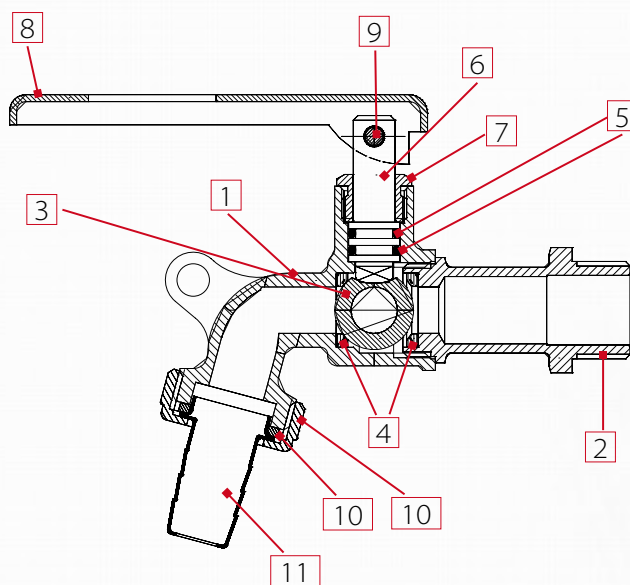
*Body in nickel-plated brass.  
Hose connection in brass.  
Lever handle in steel.  
Minimum and maximum working temperatures:  
-20°C, 80°C.  
Threads ISO228  
(equivalent to DIN EN ISO 228 and BS EN ISO 228).  
Available sizes:  
**1/2"x3/4", 3/4"x3/4".***

QUOTE DI INGOMBRO - DRAWING



Part Code	IT144-12	IT144-34
SIZE	1/2"	3/4"
DN	15	20
A (mm)	111	111
B (mm)	105	105
D (mm)	7	7
PRESS. ATMOS./WORK. PRESS. Kg/cm <sup>2</sup> - bar	15	15
PRESS. ATMOSF. PSI LBS WORK. PRESS.	220	220





POS.	DESCRIZIONE/DESCRIPTION	Q.TÀ/N.	MATERIALE/MATERIAL
1	Corpo / Body	1	Ottone CW617 nichelato / Nickelplated brass
2	Manicotto / End cap	1	Ottone CW617 nichelato / Nickelplated brass
3	Sfera / Ball	1	Ottone CW614 cromato / Chromeplated brass
4	Sede / Seat	2	PTFE
5	OR / O-ring	2	NBR
6	Asta / Stem	1	Ottone CW614 / Brass
7	Ghiera / Metal ring	1	Ottone CW614 / Brass
8	Maniglia / Lever handle	1	Acciaio Aq34 / Steel
9	Perno / Joint	1	Acciaio Aq34 / Steel
10	Guarnizione / Seal	1	NBR
11	Portagomma / Hose connection	1	Ottone CW617 nichelato / Nickelplated brass
12	Ghiera / Metal ring	1	Ottone CW617 nichelato / Nickelplated brass

Certificazioni- Certifications

