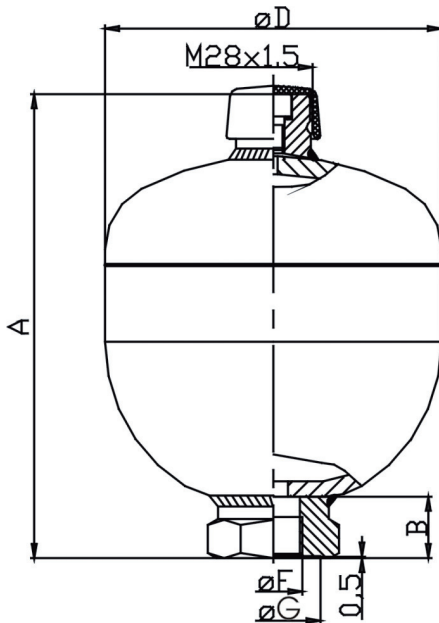


Diaphragm Accumulator

100-250 bar

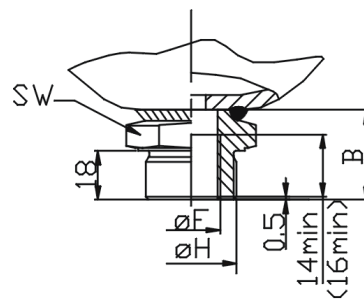


Form A

Specification

Approval

All accumulators of this range are manufactured, approved and certified according to Directive 97/23/EC of the European Parliament. Other approvals are available upon request.



Form B

Type OLM/ELM	Gas Volume Vo (L)	MWP (bar)	Fluid Form Connection	P max/ Po	P max- P min	Weight (kg)	Temperature Range	Dimensions							
								A	B	Ø D	Ø G	Ø F	H	SW	Mounting
108492-01125	0.075	250	A	8:1	210	0.7	-10°C/+80°C	111	20	64	29	G ½"	-	32	-
108493-01125	0.16	250	A	6:1	210	1	-10°C/+80°C	120	20	75	29	G ½"	-	32	-
109866-01125	0.32	210	A	8:1	140	1.4	-10°C/+80°C	134	20	93	29	G ½"	-	32	-
108495-01125	0.5	210	A	8:1	175	2	-20°C/+80°C	152	22	106	34	G ½"	-	41	-
108496-01125	0.5	210	B	8:1	175	2	-20°C/+80°C	163	33	106	-	G ½"	M33x1.5	41	M33x1.5
108497-01125	0.75	210	A	8:1	175	2.6	-20°C/+80°C	166	22	122	34	G ½"	-	41	-
108498-01125	0.75	210	B	8:1	175	2.6	-20°C/+80°C	177	33	122	-	G ½"	M33x1.5	41	M33x1.5
109847-01125	1.0	210	A	8:1	170	3.5	-20°C/+80°C	180	22	136	34	G ½"	-	41	-
109848-01125	1.0	210	B	8:1	170	3.5	-20°C/+80°C	191	33	136	-	G ½"	M33x1.5	41	M33x1.5
108502-01125	1.4	140	A	8:1	120	4.2	-20°C/+80°C	191	22	147	34	G ½"	-	41	-
108503-01125	1.4	140	B	8:1	120	4.2	-20°C/+80°C	202	33	147	-	G ½"	M33x1.5	41	M33x1.5
109965-01125	1.4	210	A	8:1	140	6	-20°C/+80°C	198	22	155	-	G ½"	-	41	-
109966-01125	1.4	210	B	8:1	140	6	-20°C/+80°C	209	33	155	34	G ½"	M33x1.5	41	M33x1.5
110132-01125	1.4	250	A	8:1	140	5	-20°C/+80°C	195	22	152	34	G ½"	-	41	-
110133-01125	1.4	250	B	8:1	140	6	-20°C/+80°C	206	33	152	-	G ½"	M33x1.5	41	M33x1.5
108504-01125	2.0	100	A	8:1	80	4.7	-10°C/+80°C	240	22	144	34	G ½"	-	41	-
109182-01125	2.0	250	A	8:1	140	7.5	-10°C/+80°C	251	22	155	33	G ¾"	-	41	-
110134-01125	2.0	250	A	6:1	150	9.5	-10°C/+80°C	251	22	156	33	G ¾"	-	41	-
108505-01125	3.5	250	A	4:1	140	11	-10°C/+80°C	307	22	174	33	G ¾"	-	41	-

Manufacturing tolerances are not considered.