

AIR PREPARATION



Installation & Application Data

- 1 Before installing check components have not been damaged during transportation.
- 2 Check flow direction and thread type are correct.
- 3 Please note whether the installation conditions meet the technical requirements (such as working pressure & applied temperature range).
- 4 Use compressed air only.
- 5 Clean or change filter element regularly.
- 6 When the unit is dismantled use port plugs to stop dirt ingress into the unit.

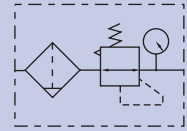
AIR PREPARATION FILTER/REGULATOR



Specification

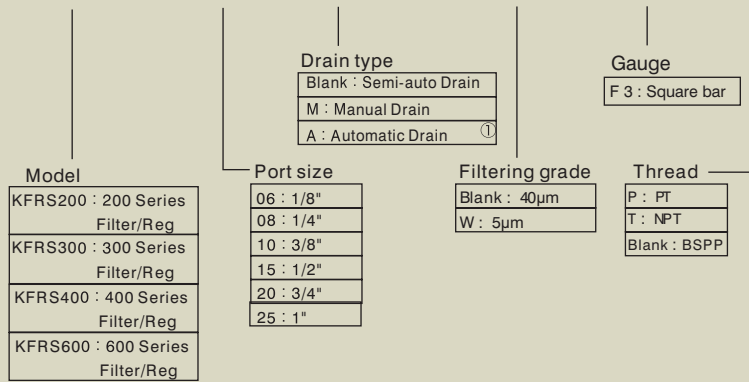
Model	KFRS200-06	KFRS200-08	KFRS300-08	KFRS300-10	KFRS300-15	KFRS400-10	KFRS400-15	KFRS600-20	KFRS600-25
Fluid	Air								
Port	1/8"	1/4"	1/4"	3/8"	1/2"	3/8"	1/2"	3/4"	1"
Micron	40µm or 5µm								
Pressure Range	Semi-auto & Automatic Drain : 0.15~0.9MPa (20~130psi)								
	Manual Drain : 0.05~0.9MPa (7~130psi)								
Proof Pressure	1.5 MPa (215psi)								
Temperature Range	-5 to +60°C								
Capacity of Drain Bowl	10CC		40CC			80CC		230CC	
Weight	220g		500g			1030g		2400g	

Symbol



Ordering Code

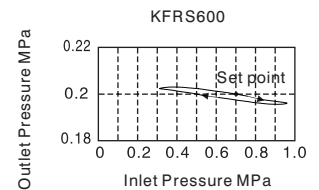
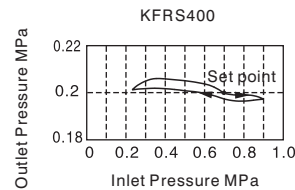
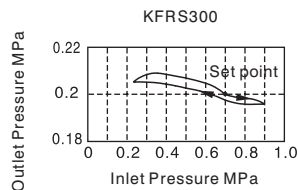
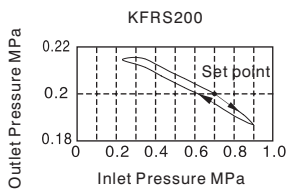
KFRS200 — 08 — — F 3 —



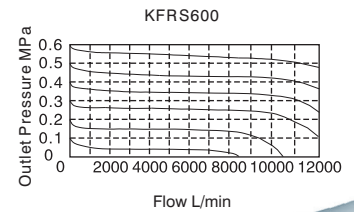
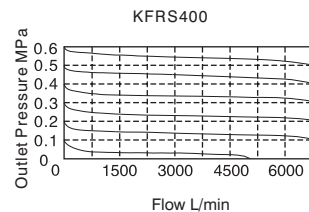
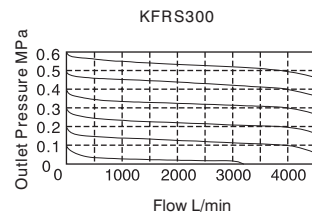
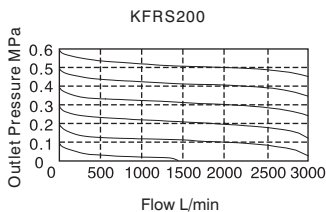
Product Features

- 1 Embedded square pressure gauge is used to save installation space (External round pressure gauge is also an option).
- 2 Self locking adjustment prevents accidental adjustment.
- 3 Pressure adjustment mechanism is of balanced design.
- 4 Optional lower pressure type is available (Highest adjustable pressure is 0.4MPa).
- 5 Unique diversion structure makes air flowing through rotate, which more effectively separates liquid from gas and filters the solids out.
- 6 40 micron or 5 micron elements available.
- 7 Manual, semi-auto and automatic drains available.
- 8 Neck mounting bracket.

Pressure Charts



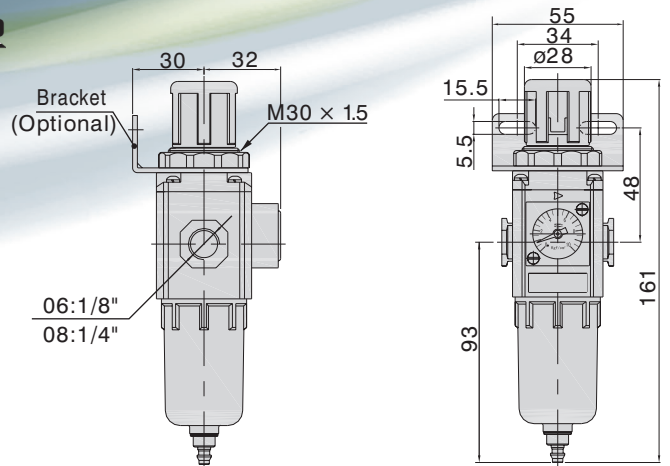
Flow Charts (Inlet Pressure 0.7MPa)



AIR PREPARATION FILTER/REGULATOR

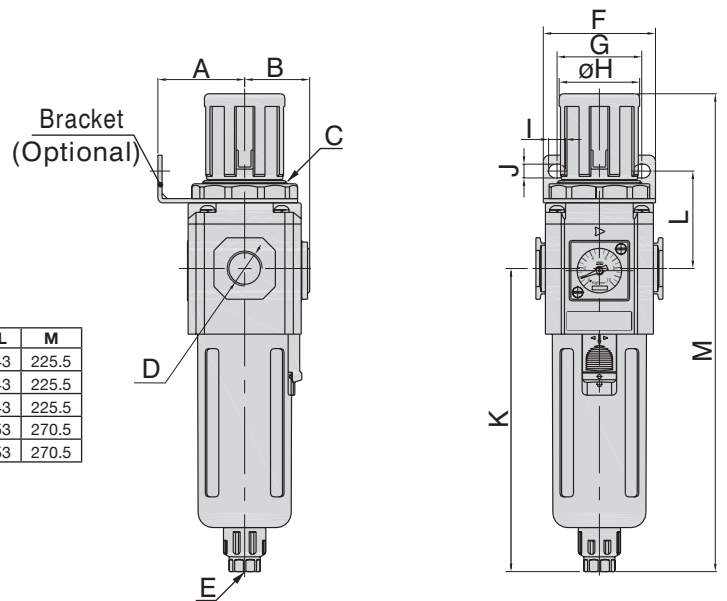
Dimensions

KFRS200

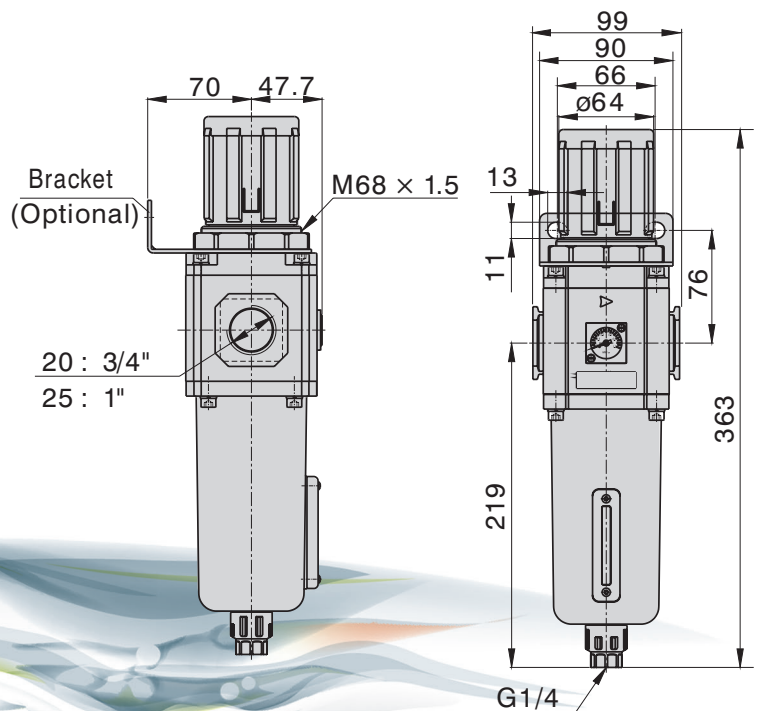


KFRS300 & 400

Model/Item	A	B	C	D	E	F	G	H	I	J	K	L	M
KFRS300-08	41	31	M40x1.5	1/4"	G1/8	53	40	38	8	6.5	143	43	225.5
KFRS300-10	41	31	M40x1.5	3/8"	G1/8	53	40	38	8	6.5	143	43	225.5
KFRS300-15	41	31	M40x1.5	1/2"	G1/8	53	40	38	8	6.5	143	43	225.5
KFRS400-10	50	40	M55x2.0	3/8"	G1/4	72	55	52	11	8.5	166.5	53	270.5
KFRS400-15	50	40	M55x2.0	1/2"	G1/4	72	55	52	11	8.5	166.5	53	270.5



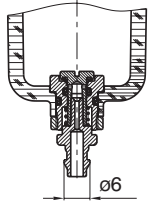
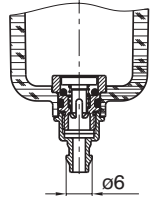
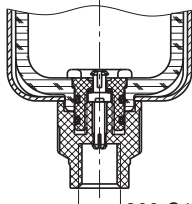
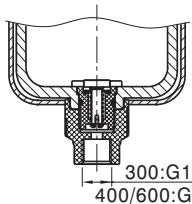
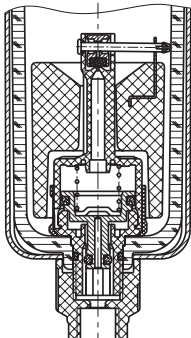
KFRS600



AIR PREPARATION FILTER/REGULATOR

Dimensions

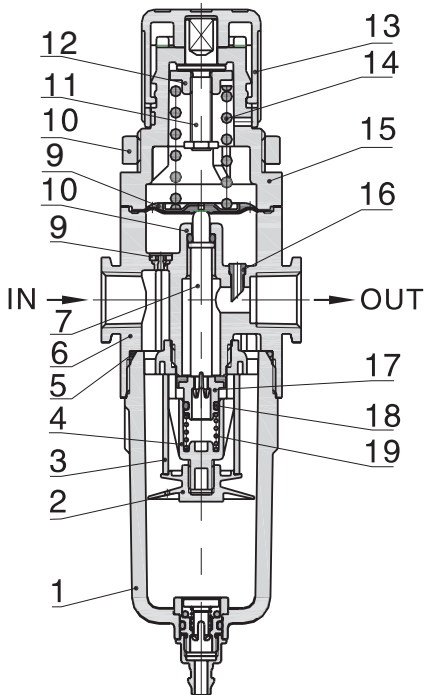
Drain Options

200		300 / 400 / 600		
Manual Drain	Semi-auto Drain	Manual Drain	Semi-auto Drain	Automatic Drain
				
PU tube with an inner diameter of $\phi 5$ or $\phi 5.5$ mm is recommended		300:G1/8 400/600:G1/4	300:G1/8 400/600:G1/4	300:G1/8 400/600:G1/4

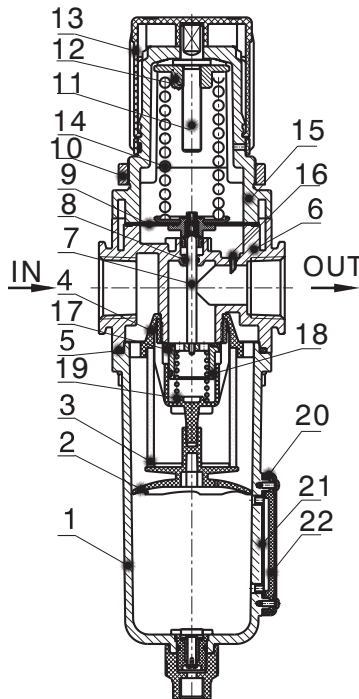
Inner Structure

KFRS200, 300 & 400

KFRS600



Semi-Auto Drain



Semi-Auto Drain

No	Item	Material
1	Drain Bowl	Aluminum Alloy (600) PC (200/300/400)
2	Umbrella Baffle	High Viscosity POM
3	Filter Core	Bronze (40 μ m) Bronze (600) Makrolon fiber: (5 μ m)
4	Air Guider	High Viscosity POM
5	O-ring	NBR
6	Body	Aluminum Alloy
7	Adjusting Spool	Brass (600) POM (200/300/400)
8	O-ring	NBR
9	Diaphragm	SUS304 & Rubber
10	Fixation Ring Cap	Aluminum Alloy (600) PC (200,300,400)
11	Adjusting Spindle	Steel
12	Regulator Nut	Steel
13	Pressure Knob	POM
14	Spring	SWC
15	Adjusting Seat	Aluminum Alloy (600) PC (200,300,400)
16	Feedback Tube	POM
17	Adjusting Plug	Brass & Rubber
18	O-ring	NBR
19	Spring	SUS304
20	Liquid Meter Cover	SPCC
21	Liquid Meter Seal	VITON
22	Liquid Meter Inside Cover	PC