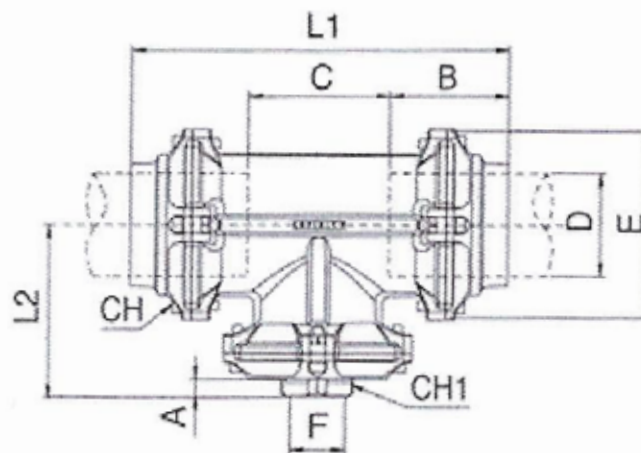


Mod. 90236-80-110

Size your plant with INFINITY AIR-PLANNER!



Code	D	F	A	B	C	E	L1	L2	CH	CH1	*
9023600009	80	3/4	14,5	91	109	145	291,5	138	6	42	* hook wrench dimensions
9023600010	80	1"	17	91	109	145	291,5	138	6	49	* hook wrench dimensions
9023600011	80	1"1/2	20	91	109	145	291,5	138	6	66	* hook wrench dimensions
9023600012	80	2"	22	91	109	145	291,5	138	6	80	* hook wrench dimensions
9023600013	110	3/4	14,5	125,5	150,5	200	401	180	8	42	* hook wrench dimensions
9023600014	110	1"	17	125,5	150,5	200	401	180	8	49	* hook wrench dimensions
9023600015	110	1"1/2	20	125,5	150,5	200	401	180	8	66	* hook wrench dimensions
9023600016	110	2"	22	125,5	150,5	200	401	180	8	80	* hook wrench dimensions