

# MANUAL & MECHANICAL VALVES

## MANUAL 5/3 WAY VALVES

### Specification

Model	230-06	230-08	330-10
Fluid	Air (to be filtered by 40µm filter element)		
Acting	Manual, Direct Acting		
Port	1/8"	1/4" (Exhaust 1/8")	3/8" (Exhaust 1/4")
Orifice mm <sup>2</sup>	12	12	18
Valve Type	5/3 Way		
Operating Pressure	0 - 0.8MPa (0 - 116psi)		
Proof Pressure	1.5MPa (215psi)		
Temperature	-20°C to +70°C		
Material of Body	Aluminium		
Operating Angle	±8.5o	±8.5o	±10o



### Symbol



30C  
(Manual Return)



30C  
(Spring Return)



30E  
(Manual Return)



30E  
(Spring Return)

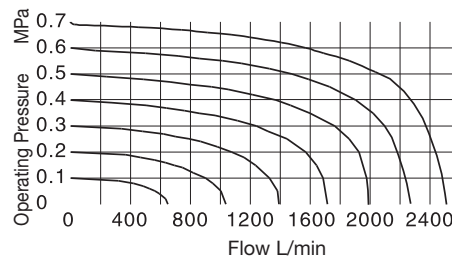
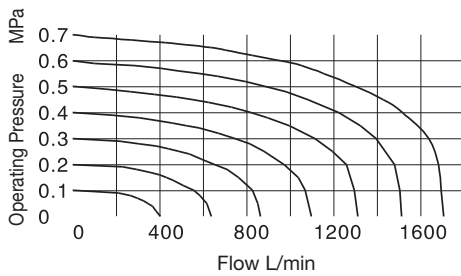
### Ordering Code

D K H	A	2 3 0	C	0 6
Model	Operation	Series	Position	Port Size
DKH *30 Manual 5/3 Way	Blank : Lev/Lev/Lev A : Lev/Spr/Lev	2 : 200 3 : 300	C : Fully Sealed E : Exhaust	06 : 1/8" 08 : 1/4" 10 : 3/8"

### Product Features

1. Manual operation, smooth action, exact and reliable orientation
2. Sliding spool has tight tolerances
3. The valve is lightweight and easy to install
4. Internal orifice adopts special processing technology giving low flow friction and long service life
5. Will operate in a lubricated and non-lubricated system

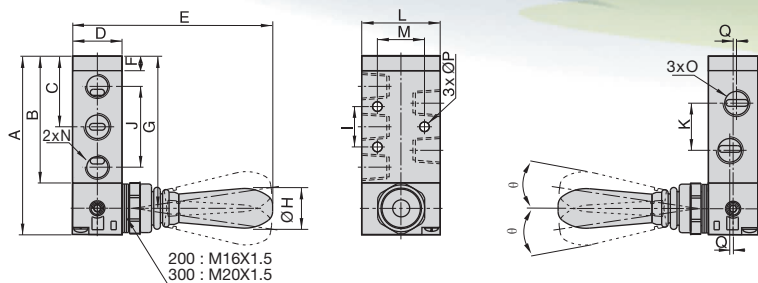
### Flow Charts



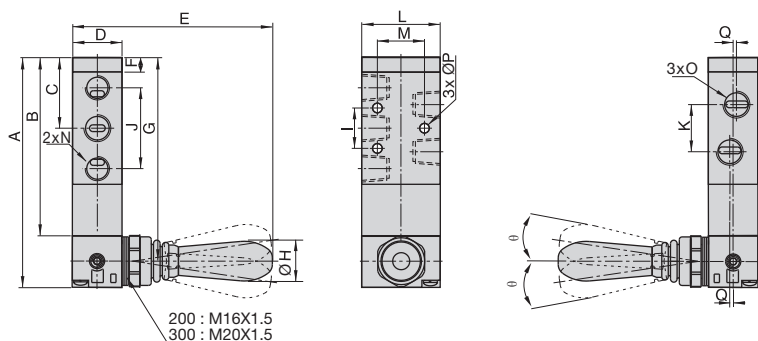
# MANUAL & MECHANICAL VALVES

## MANUAL 5/3 WAY VALVES

### Dimensions



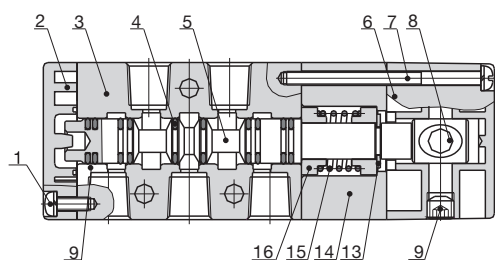
Model / Item	A	B	C	D	E	F	G	H	I	J	K	L	M	N	O	P	Q
DKH230-*-06	81.5	57.5	32.5	22	90.5	7.5	69.5	18	20	36	18	35	23.5	1/8"	1/8"	4.3	-
DKH230-*-08	81.5	57.5	32.5	22	90.5	7.5	69.5	18	20	36	21	35	23.5	1/8"	1/4"	4.3	1.5
DKH330-*-10	101	73	40.5	27	94	8	87	18	24	45	24	40	27.5	1/4"	3/8"	4.3	2



Model / Item	A	B	C	D	E	F	G	H	I	J	K	L	M	N	O	P	Q
DKHA230-*-06	100.5	76.5	32.5	22	90.5	7.5	88.5	18	20	36	18	35	23.5	1/8"	1/8"	4.3	-
DKHA230-*-08	100.5	76.5	32.5	22	90.5	7.5	88.5	18	20	36	21	35	23.5	1/8"	1/4"	4.3	1.5
DKHA330-*-10	120	92	40.5	27	94	8	106	18	24	45	24	40	27.5	1/4"	3/8"	4.3	2

### Inner Structure

No.	Item	No.	Item
1	Round Head Screw	9	Stop Screw
2	Bottom Cover	10	Spring
3	Body	11	Steel Ball Jacket
4	O-ring	12	Steel Ball
5	Spool	13	E Clip
6	Top Cover	14	Side Cover
7	Round Head Screw	15	Spring
8	Axle	16	Spring Holder



### Installation & Operation

