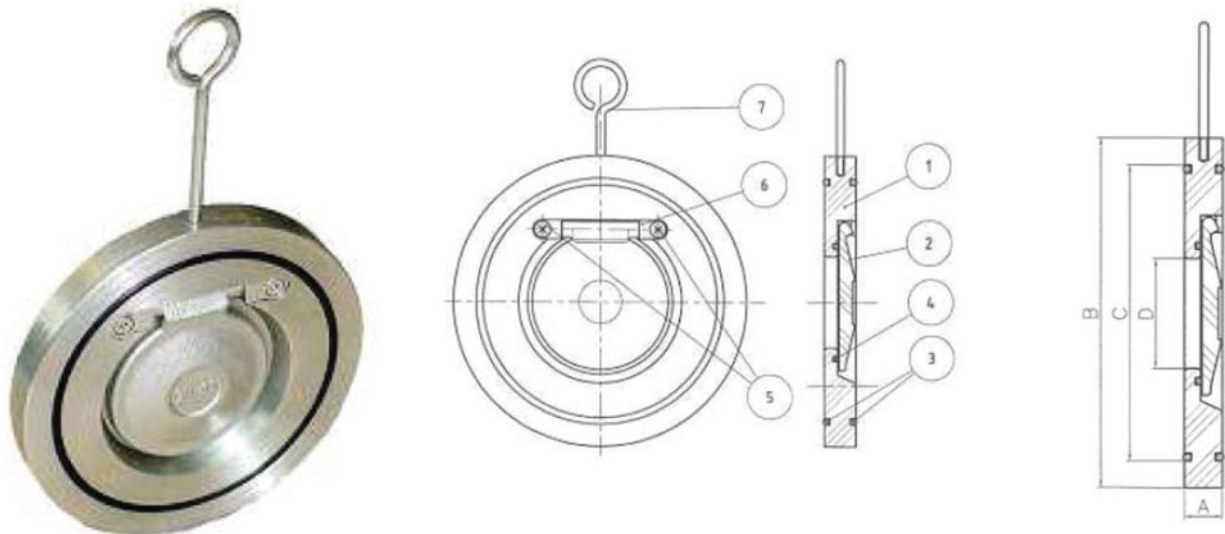


STAINLESS STEEL WAFER CHECK VALVE



Features

1. Wafer check valve (single disk).
2. Made of Stainless Steel AISI 316.
3. External o'ring made by viton (FKM).
4. Disk o'ring made by viton (FKM).
5. Assembly between flanges DIN PN-16.
6. Installed with vertical or horizontal flow.
7. Max. Working pressure 16 Kg / cm².
8. Max. Working temperature 180 °C.
9. Low head losses.

No.	Description	Material
1	Body	SS316
2	Disk	SS316
3	External O Ring	Viton
4	Disk O Ring	Viton
5	Axis Screw	SS316
6	Stem Stopper	SS316
7	Hook	Steel Zinc Plated

Size	PN	A	B	C	D	Weight Kg
2"	16	14	109	101	32	0.855
2 1/2"	16	14	129	113	40	1.180
3"	16	14	144	124	54	1.480
4"	16	18	164	148	70	2.500
5"	16	18	195	179	92	3.200
6"	16	20	220	198	112	4.400
8"	16	22	275	248	154	7.150
10"	16	26	332	312	200	11.950