

Trigger Action Blow Gun AG32



Material: Aluminium Alloy.

Weight: 0.54Kg

Standard Gap: Adjustable

dB(A) at: 5.5 bar is 78

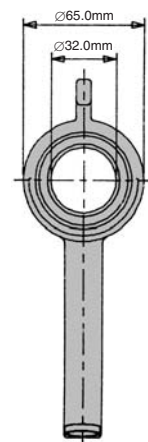
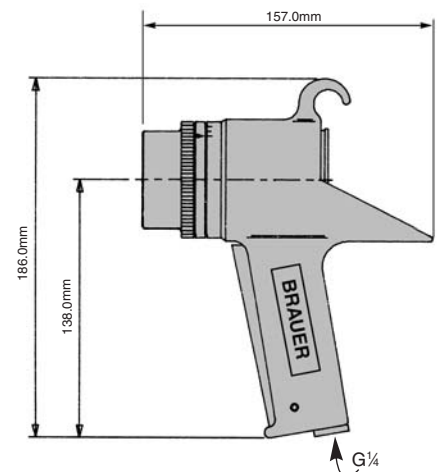
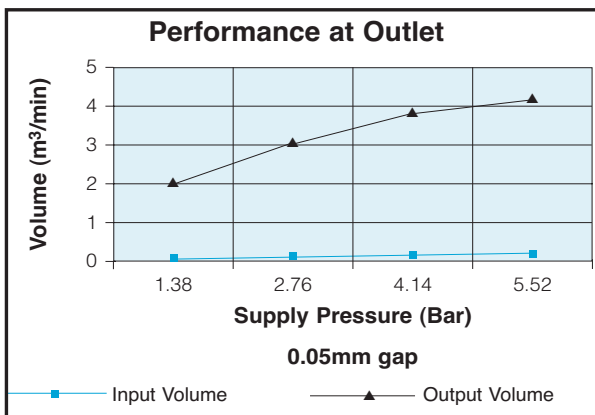
Standard Inlet Thread: G

Options: 1/4" NPT

Please specify on order: 1/4" NPTF



Bar	Vol in m ³ /min	Vol out m ³ /min
1.38	0.122	1.931
2.76	0.218	2.939
4.14	0.311	3.695
5.52	0.405	4.199



Trigger Action, BSPP

Part Number	Thread
BR-AG32LC	1/4"